

4

A

A (1:3)

8

B (1:3)

3

B

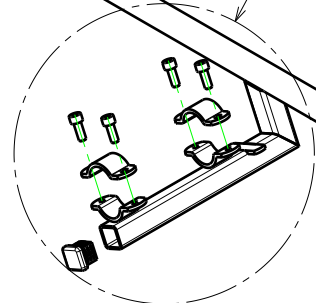
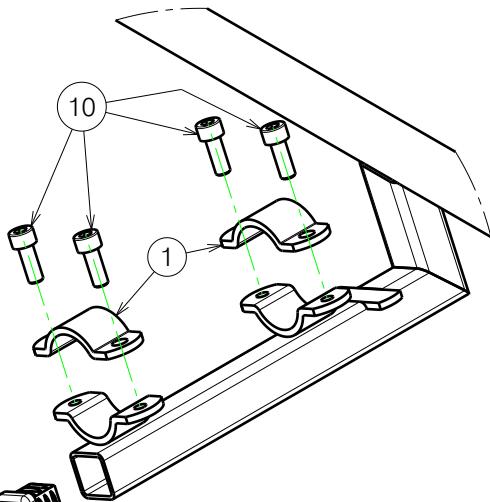
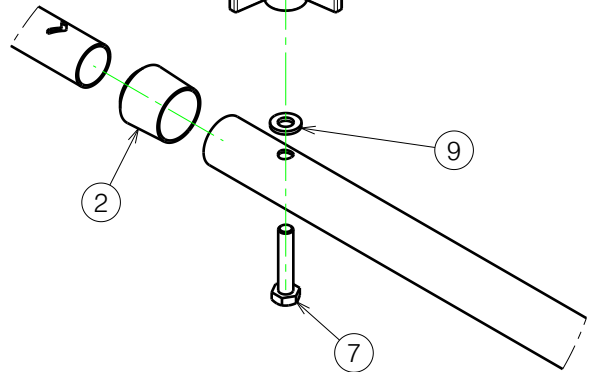
11

10


1

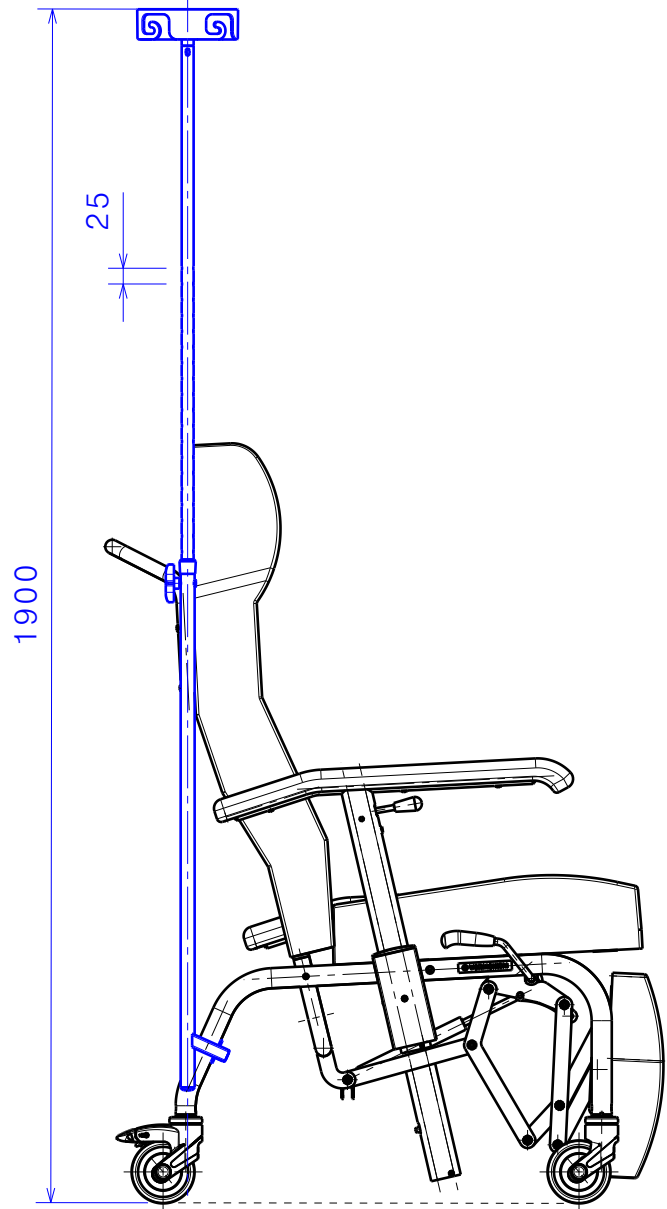
12

Material			
No.	Plan	Article	Quantity
1	Y002783	1436165	2
2	Y004359	F000181	1
3	YP09391	2647765	1
4	YP09394	2647865	1
5	---	---	---
6	XP03395	2995372	1
7	M6x30 DIN 931	1005930	1
8	Sterknop M6	2995334	1
9	D6.4 DIN125A	1001564	1
10	M6x16 DIN912	1001492	4
11	Cap D22	1990648	1
12	Cap 20x20	1001612	1

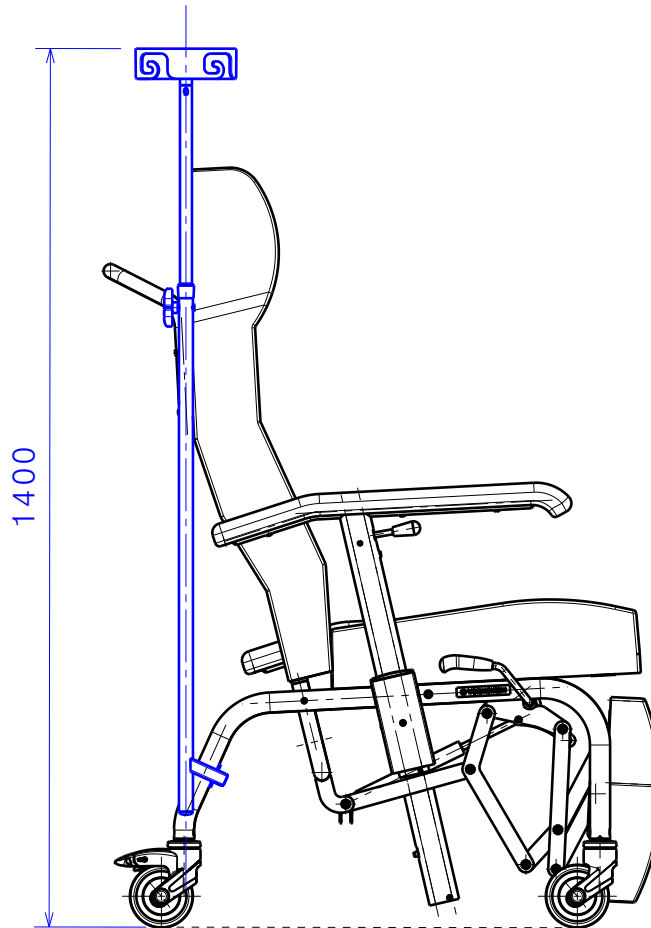


EP00634 / C

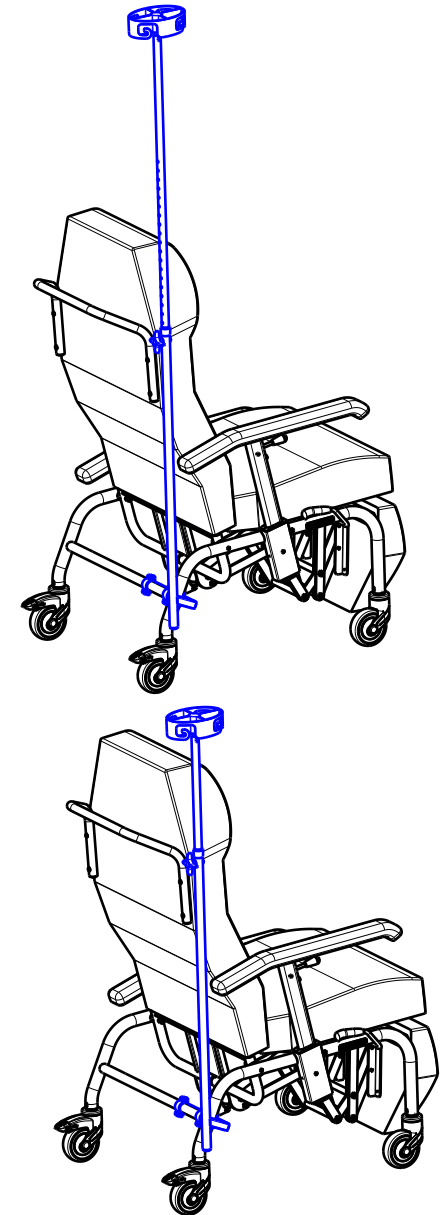
B52 ELIPSE SERUM HOLDER / NORMANDIE 2020				Plan No.
				1/2 EP00634 / C
Scale: 1:6	Drafted	Verified	Confirmed	
Date	01/02/2022	24/03/2023	24/03/2023	
Initials	AZ	PM	AZ	




Max. height
Stroke: 25mm (21 holes)



Min. height



EP00634 / C

B52 ELIPSE SERUM HOLDER / NORMANDIE 2020				Plan No. 2/2 EP00634 / C
Scale: 1:12	Drafted	Verified	Confirmed	
Date	01/02/2022	24/03/2023	24/03/2023	
Initials	AZ	PM	AZ	