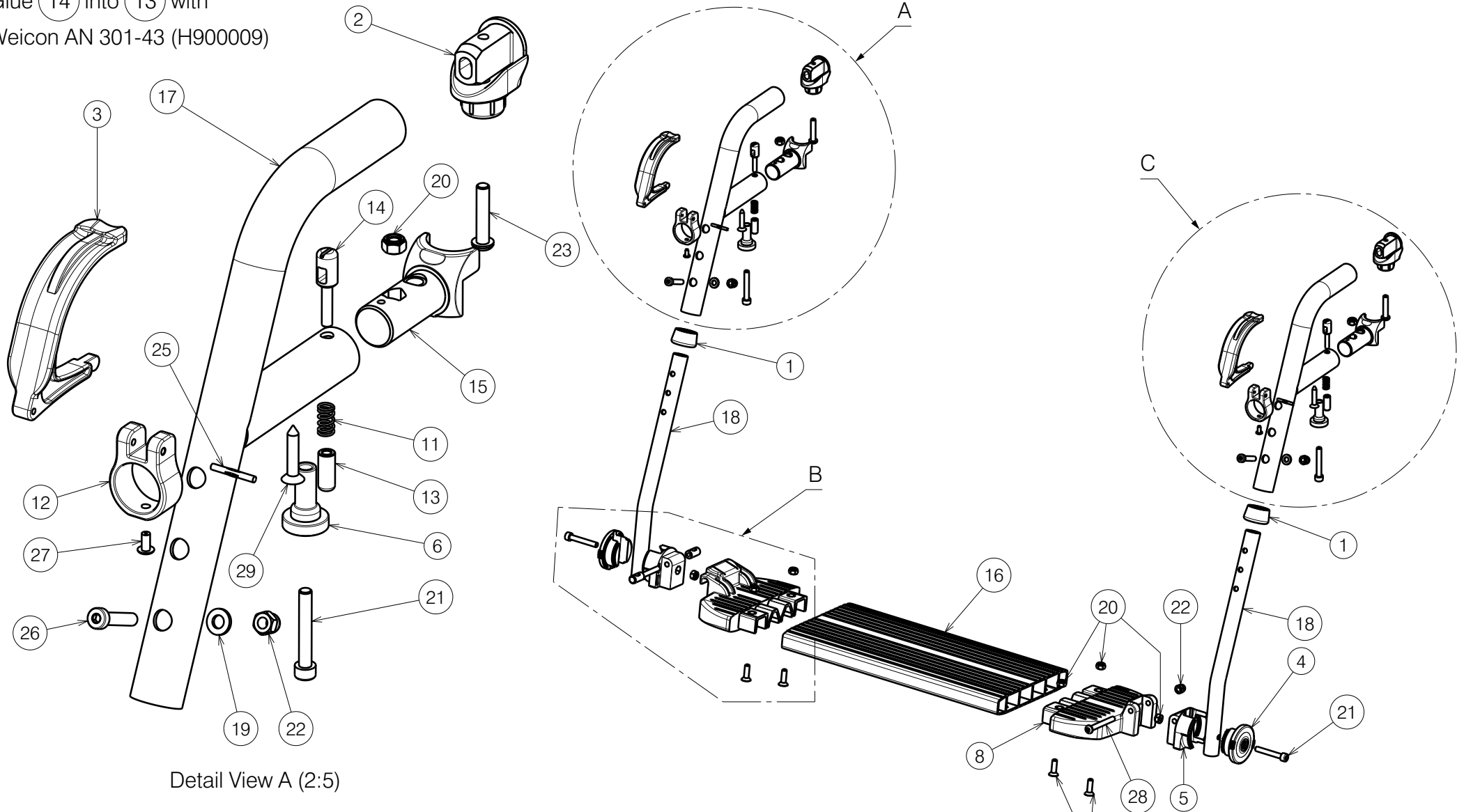


Glue 14 into 13 with
Weicon AN 301-43 (H900009)



Detail View A (2:5)

NOTICE: THE INFORMATION CONTAINED ON THIS DRAWING IS PROPRIETARY TO VERMEIREN GROUP AND SHALL NOT BE DISCLOSED IN WHOLE OR IN PART, OR USED FOR ANY DESIGN OR MANUFACTURE, EXCEPT WHEN SUCH USER POSSESSES DIRECT WRITTEN AUTHORISATION FROM VERMEIREN GROUP.

Sheet 1/2

VERSO BK6 FOOTREST

Plan No.

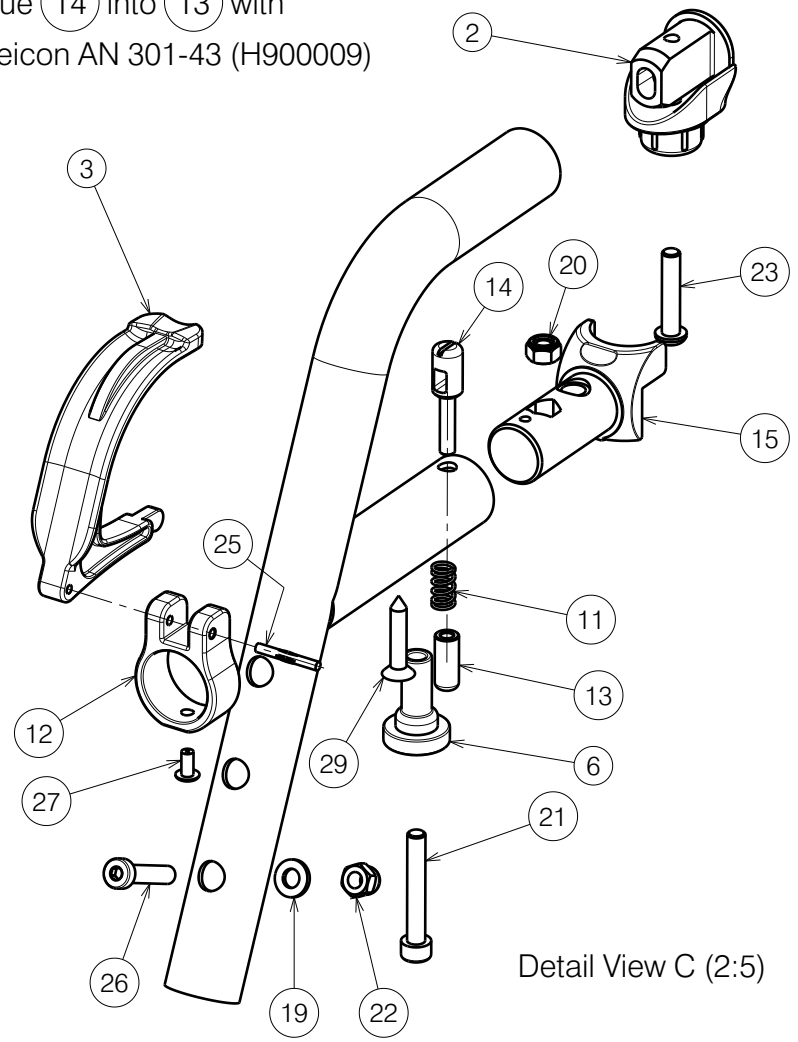
E00077326/A1.1

Scale:	3:20	Drafted	Verified	Confirmed
Date	1/03/2024	1/03/2024	1/03/2024	1/03/2024
Initials	SD	SD	PJ	

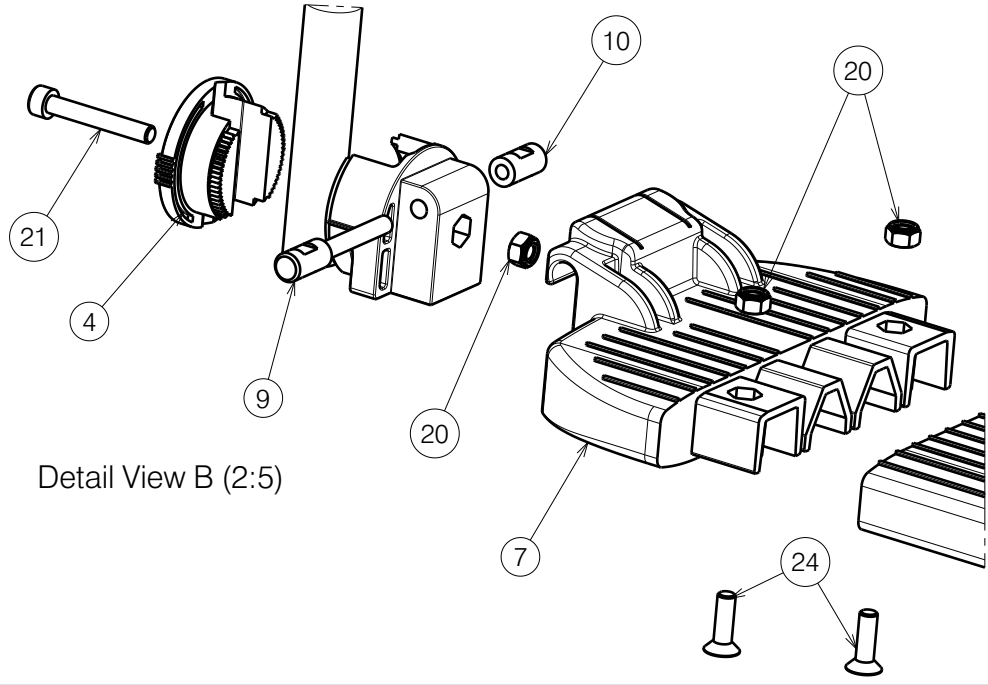


Material							
No.	Plan	Article	Qty	No.	Plan	Article	Qty
1	X002137	1992415	2	17	YC01267	1C407	2
2	X004414	1904130	2	18	YC01291	FC00808	2
3	X004418	1904207	2	19	M6 DIN125	1001564	2
4	X004464	1904212	2	20	M6 DIN985	1001680	8
5	X004465	1904213	2	21	M6x40 DIN912	1003909	4
6	X004660	1905195	2	22	M6 DIN986	1008492	3
7	X004706	1905703	1	23	M6x30 ISO7380	1009588	2
8	X004707	1905704	1	24	M6x20 DIN7991	1903081	4
9	X004711	1736500	1	25	D3x24 DIN1475	1905640	2
10	X004712	1736600	1	26	M6x30 DIN7984	1992721	2
11	XC00142	3990576	2	27	D4x8 DIN7337A	1992805	2
12	XC00300	3991091	2	28	M6x55 ISO7380	1997879	1
13	XC00304	3991093	2	29	D5x25	H016007	2
14	XC00305	3991094	2				
15	XC00381	3991544	2				
16	Y017211	1743032 (44)	1				
	Y017212	1743132 (46)	1				
	Y017213	1743232 (48)	1				
	Y017214	1743332 (50)	1				

Glue 14 into 13 with
Weicon AN 301-43 (H900009)



Detail View C (2:5)



Detail View B (2:5)

NOTICE: THE INFORMATION CONTAINED ON THIS DRAWING IS PROPRIETARY TO VERMEIREN GROUP AND SHALL NOT BE DISCLOSED IN WHOLE OR IN PART, OR USED FOR ANY DESIGN OR MANUFACTURE, EXCEPT WHEN SUCH USER POSSESSES DIRECT WRITTEN AUTHORISATION FROM VERMEIREN GROUP.

Sheet 2/2

VERS0 BK6 FOOTREST				Plan No.
				E00077326/A1.1
Scale: 2:5	Drafted	Verified	Confirmed	
Date	1/03/2024	1/03/2024	1/03/2024	
Initials	SD	SD	PJ	