


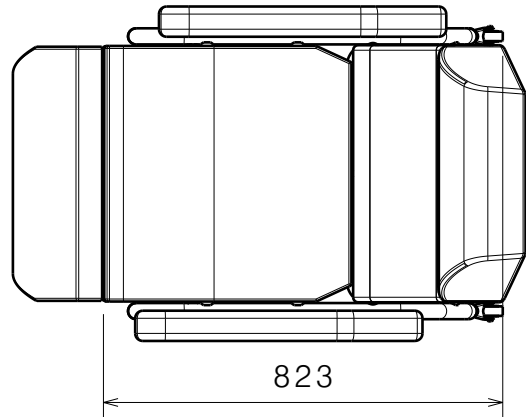
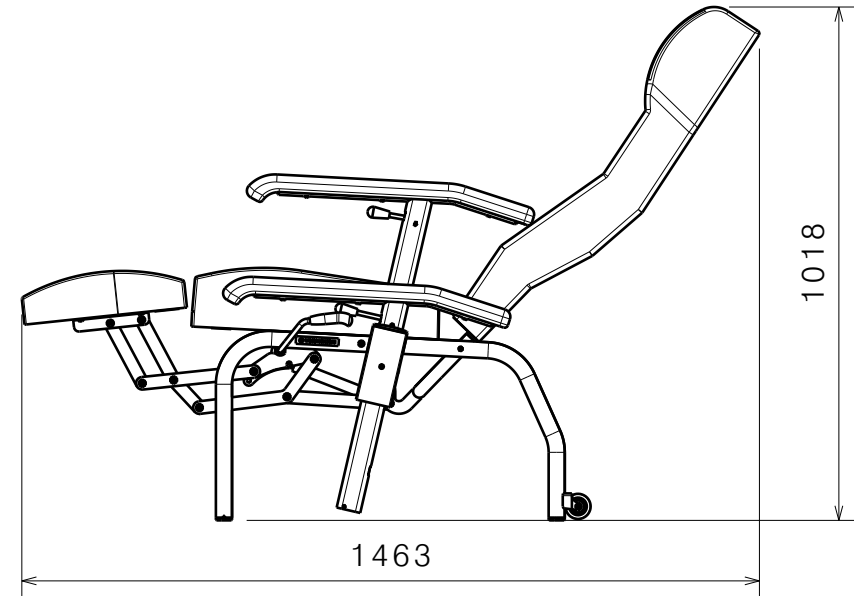
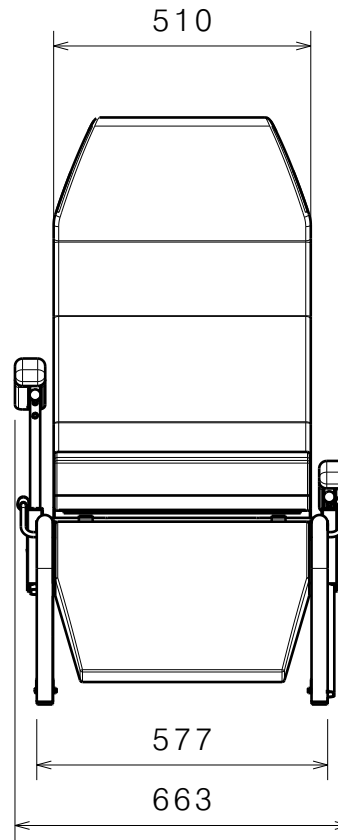
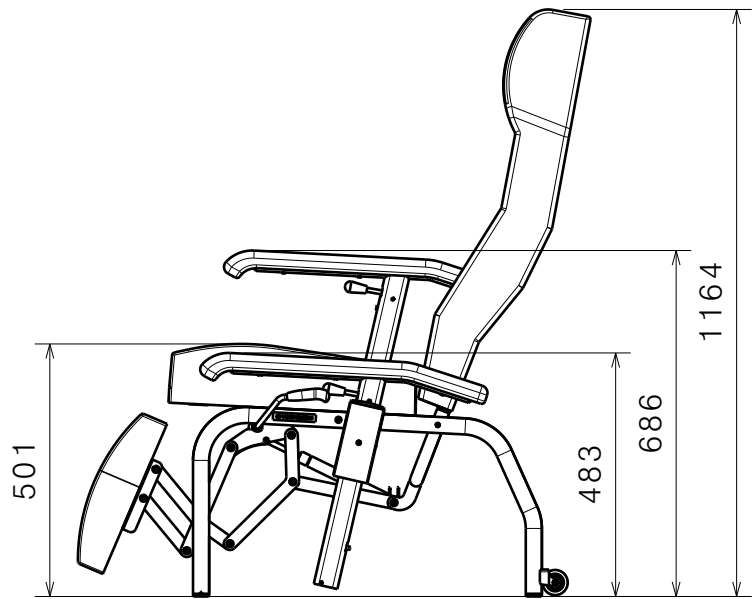
Material			
No.	Plan	Article	Quantity
1	EP00531	2994887	1
2	EP00549	2994988	1
3	EP00533	2994889	1
4	EP00534	2994890	1
5	EP00564	2994990	1
6*	XP03295	U000434	1
7**	Cap D22	1001625	2

Serial number sticker (seat tube).

EP00567 / H

- * - not depicted;
- ** - use only in transport to protect upholstery - see packing instruction;
- *** - SOP: S-BE.90.04 - packing instruction.

SPECIFICATION / NORMANDIE WITHOUT WHEELS 2020				Plan No.
				1/2 EP00567 / H
Scale: 1:10	Drafted	Verified	Confirmed	
Date	02/02/2021	07/08/2023	07/08/2023	
Initials	AZ	AZ	TK	



EP00567 / H

SPECIFICATION / NORMANDIE WITHOUT WHEELS 2020				Plan No.
				EP00567 / H
Scale: 1:15	Drafted	Verified	Confirmed	
Date	02/02/2021	07/08/2023	07/08/2023	
Initials	AZ	AZ	TK	