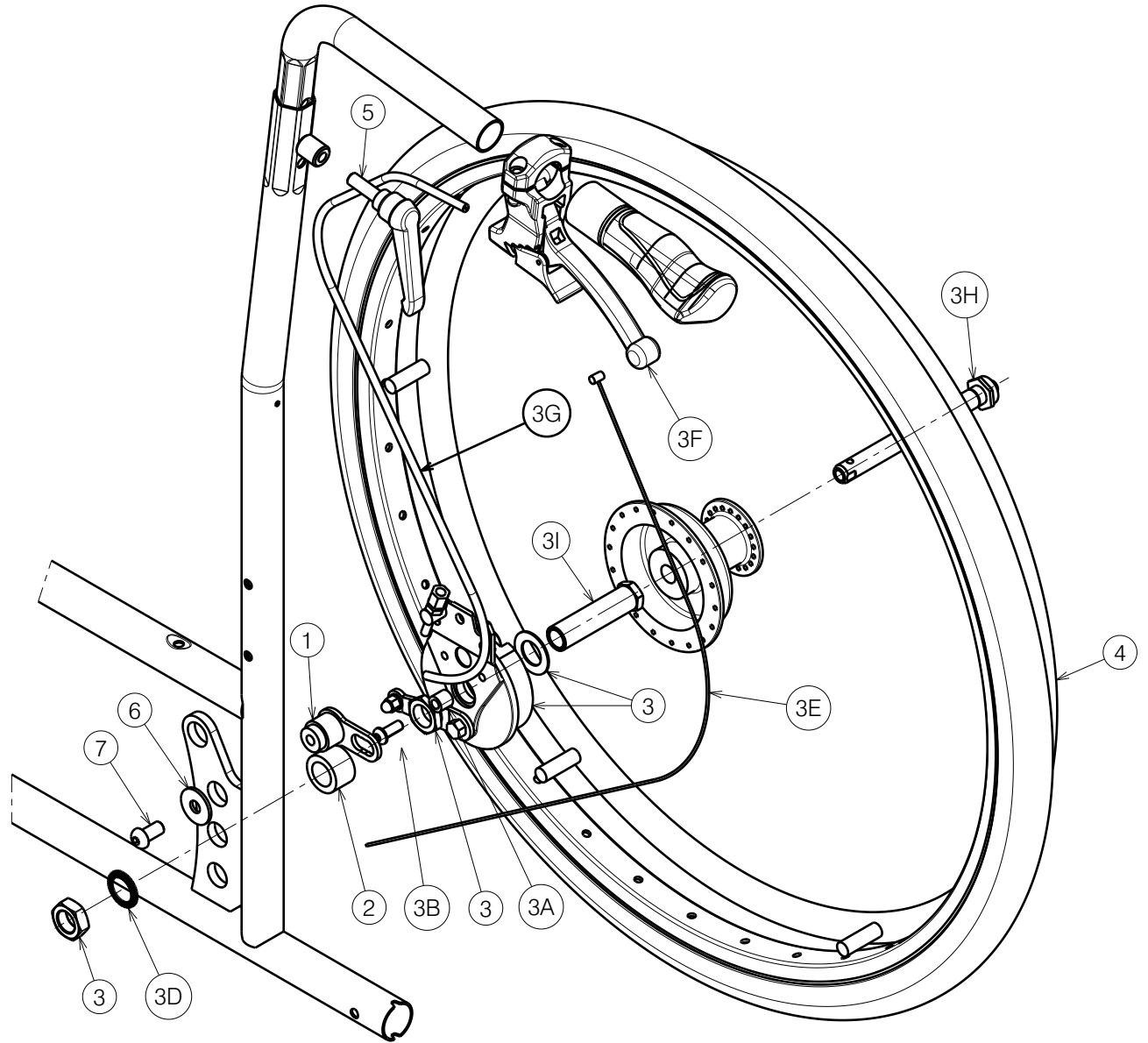
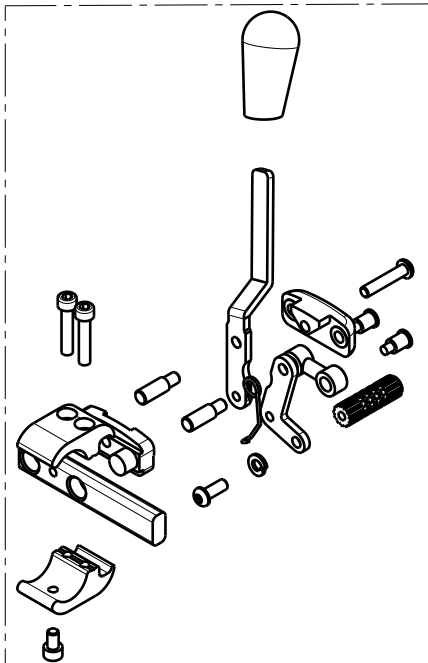



Material			
No.	Plan	Article	Quantity
1	Y016096	1737800	2
2	X003986	1902199	2
3	---	1906419 (L)	1
	---	1906420 (R)	1
3A	X005545	2019900	2
3B	M6x16 ISO7380	1008459	2
3C*	---	1004109	2
3D	M16 type S DIN17222	1911653	2
3E	---	1004094	2
3F	---	1994012	2
3G	---	1993218	(2x) 0.75 m
3H	---	1905243	2
3I	X005544	1912111	2
4	---	1905239 (PU)	2
	---	1908445 (Air)	2
5	---	1005904	2
6	M8 DIN9021	1996574	2
7	M8x16 ISO7380	1991858	2
8	E000915	1910165 (L)	1
	E000915	1910166 (R)	1

\* Not depicted



only right side depicted

E000802 / F

B74/B80 V100D				Plan No.
				E000802 / F
Scale: 1:4	Drafted	Verified	Confirmed	
Date	17/01/2012	18/01/2023	18/01/2023	
Initials	SD	SD	PJ	