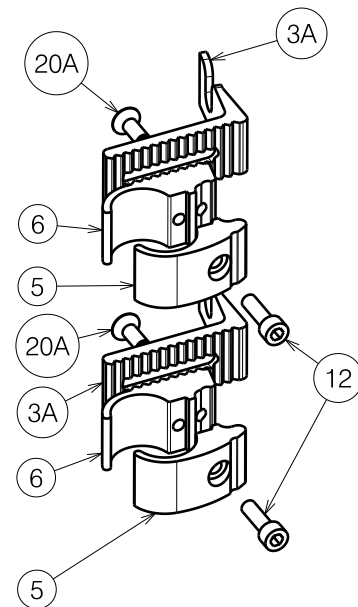
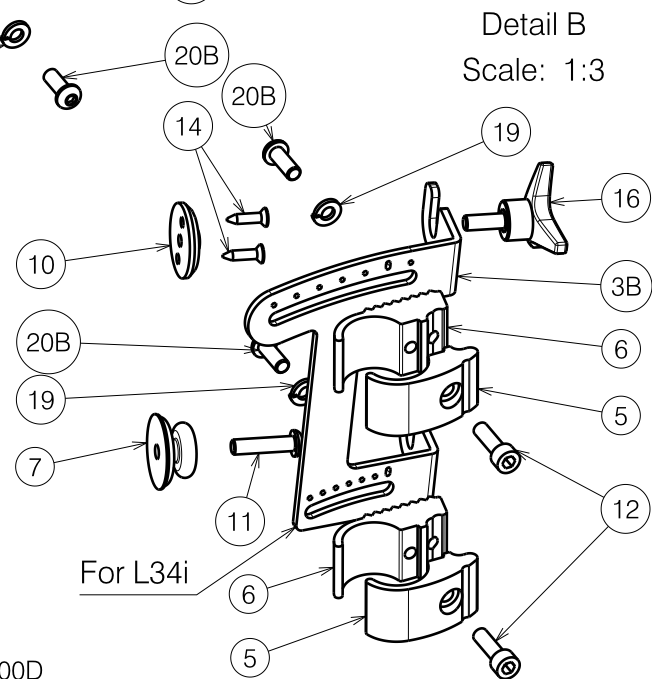
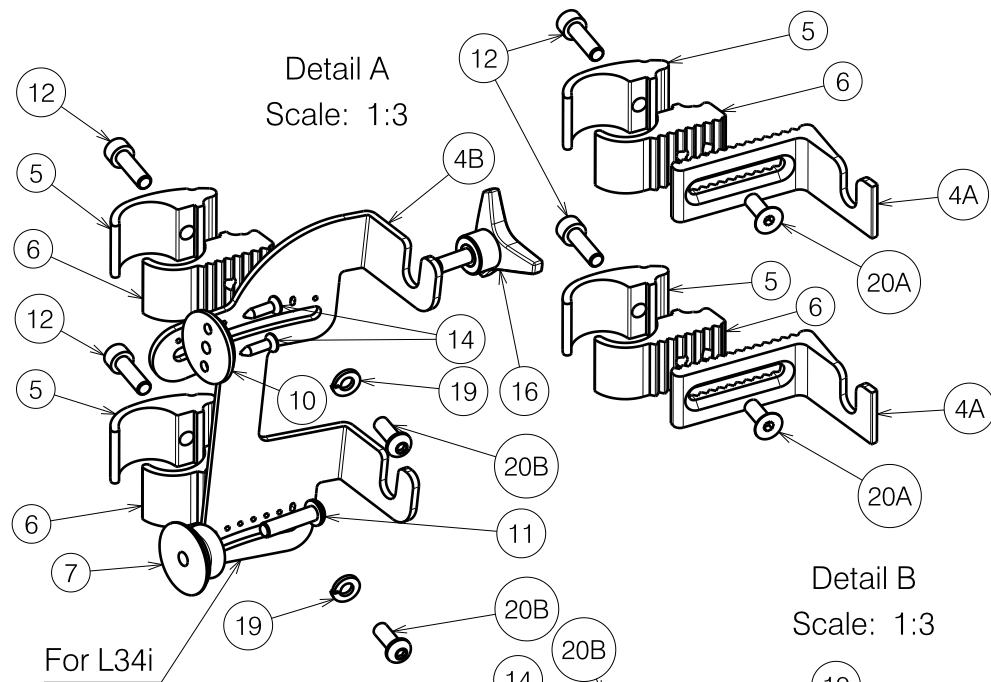


E000683 / N

Sheet 1/2

V-SERIES L34-L34I / L35				Plan No.
				E000683 / N
Scale: 1:6	Drafted	Verified	Confirmed	
Date	09/02/2011	15/06/2020	15/06/2020	
Initials	SD	SD	PJ	

Material				
No.	Plan	Article	Quantity	
1	---	1906928 (39)	1	
	---	1906929 (42)	1	
	---	1906930 (44)	1	
	---	1906931 (46)	1	
	---	1906932 (48)	1	
	---	1906933 (50)	1	
	2	---	1906937 (39)	1
		---	1906938 (42)	1
		---	1906939 (44)	1
		---	1906940 (46)	1
---		1906941 (48)	1	
---	1906942 (50)	1		
3A	X004822	1744732 (L)	2	
3B	Y021697	2018954 (L)	1	
4A	X004823	1744832 (R)	2	
4B	Y021698	2019054 (R)	1	
5	X004820	1744532 ($\Phi 22$)	4	
	X004832	1744932 ($\Phi 25,4$)	4	
6	X004821	1744632 ($\Phi 22$)	4	
	X004833	1745032 ($\Phi 25,4$)	4	
7	X004861	1906454	2	
8	XC00695	3992114	2	
8A	Y021631	2013204	2	
8B	XC00494	3992061	2	
9	XC00696	3992113	2	
9A	Y021632	2013304	2	
9B	---	3992060	4	
10	X001052	G066600	2	
11	M6x25 ISO7380	1006998	2	
12	M6x20 DIN912	1001493	4	
14	3,9x16 DIN7982	1005767	4	
15	M6x25 DIN912	1001494	8	
16	M6x20	1009932	2	
17	M6 DIN7349	1003321	8	
18	Y021630	2013104	4	
19*	M6 DIN127B	1004414	4	
20A	M6x16 DIN7991	1994752	4	
20B	M6x16 ISO7380	1008459	4	



$\Phi 22$: V200 - V300
 $\Phi 25.4$: V100 - V100D - V200D - V300D

20A: standard alu hooks (L34)
 20B: steel adjustable hooks (L34i)
 * Angle adjustable hooks

Sheet 2 / 2

V-SERIES L34-L34i / L35				Plan No.
Scale: 1:6	Drafted	Verified	Confirmed	E000683 / N
Date	09/02/2011	15/06/2020	15/06/2020	
Initials	SD	SD	PJ	



E000683 / N