

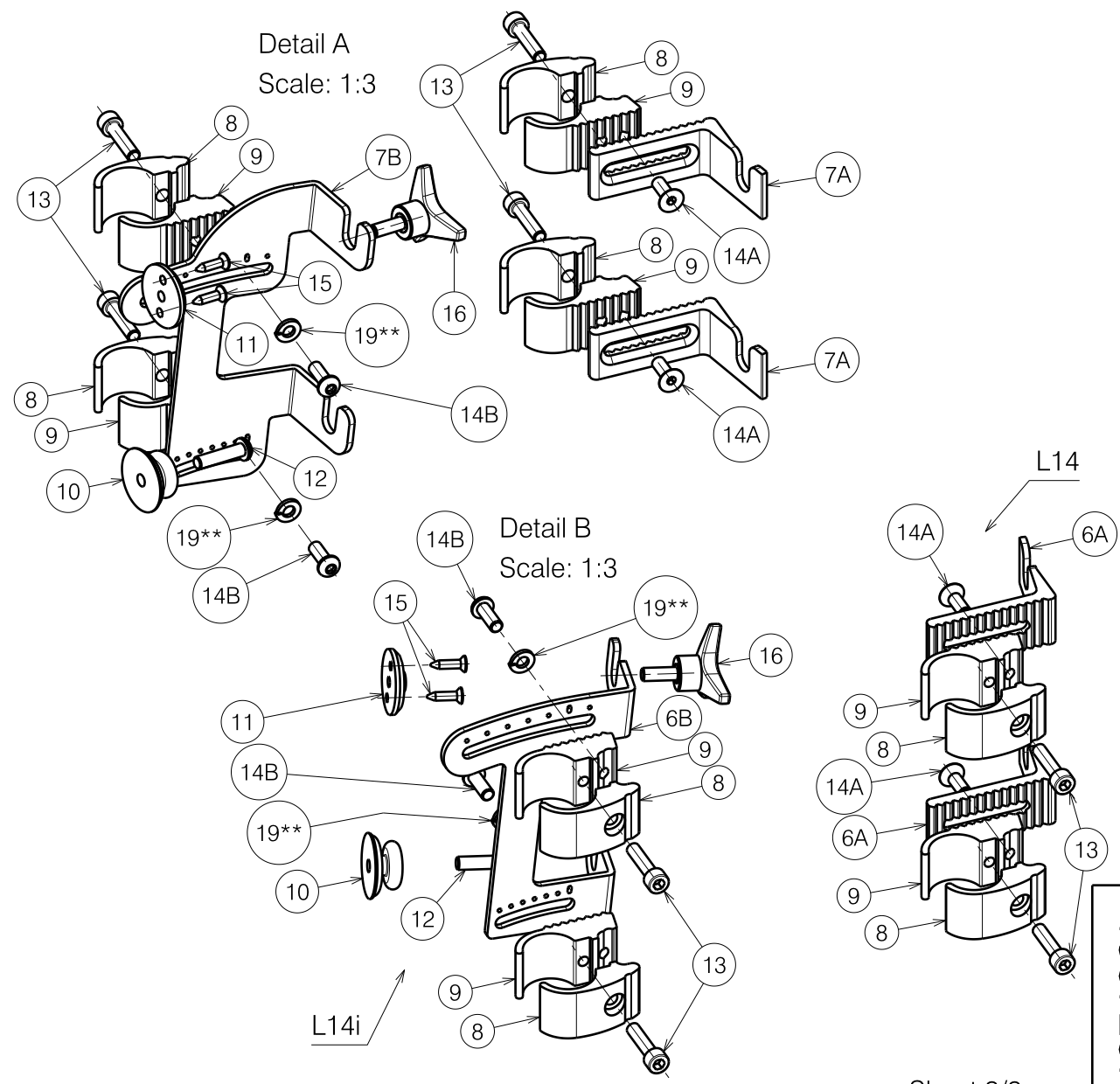
E000715/K

Sheet 1/2

1907207

V-SERIES L14-L14I / L15 STANDARD				Plan No. E000715 / K
V-SERIE L14-L14I / L15 STANDAARD				
Scale: 1:6	Drafted	Verified	Confirmed	
Date	01/03/2011	11/05/2021	11/05/2021	
Initials	SD	SD	PJ	

Material			
No.	Plan	Article	Quantity
1	---	1906804 (39)	1
	---	1906805 (42)	1
	---	1906806 (44)	1
	---	1906807 (46)	1
	---	1906808 (48)	1
	---	1906809 (50)	1
2	---	3992114	2
3	---	3992113	2
5	---	1906810	1
	---	1906811 (39)	1
	---	1906812 (42)	1
	---	1906813 (44)	1
	---	1906814 (46)	1
	---	1906815 (48)	1
6A	X004822	1744732 (50)	2
6B	Y021697	2018954 (L)	1
7A	X004823	1744832 (L)	2
7B	Y021698	2019054 (R)	1
8	X004820	1744532 (R)	4
	X004832	1744932 (Φ22)	4
9	X004821	1744632 (Φ25,4)	4
	X004833	1745032 (Φ22)	4
10	X004861	1906454 (Φ25,4)	2
11	X001052	G066600	2
12	M6x25	1006998	2
13	M6x25 DIN912/8.8	1001494	12
14A	M6x16 DIN7991/8.8	1994752	4
14B	M6x16	1008459	4
14*	M6x10 DIN7991/8.8	1904683 (SD 44)	4
15	Φ3.9x16 DIN7982	1005767	4
16	M6x20	1009932	2
17	M6 DIN7349	1003321	8
18	Y021630	2013104	4
19**	M6 DIN127B	1004414	4




1907207

Sheet 2/2

E000715/K

Φ22: V200 - V300
Φ25.4: V100 - V100D - V200D - V300D

* = Not Depicted
** = Angle adjustable hooks

V-SERIES L14-L14I / L15 STANDARD				Plan No. E000715 / K
V-SERIE L14-L14I / L15 STANDAARD				
Scale: 1:6	Drafted	Verified	Confirmed	
Date	01/03/2011	11/05/2021	11/05/2021	
Initials	SD	SD	PJ	