
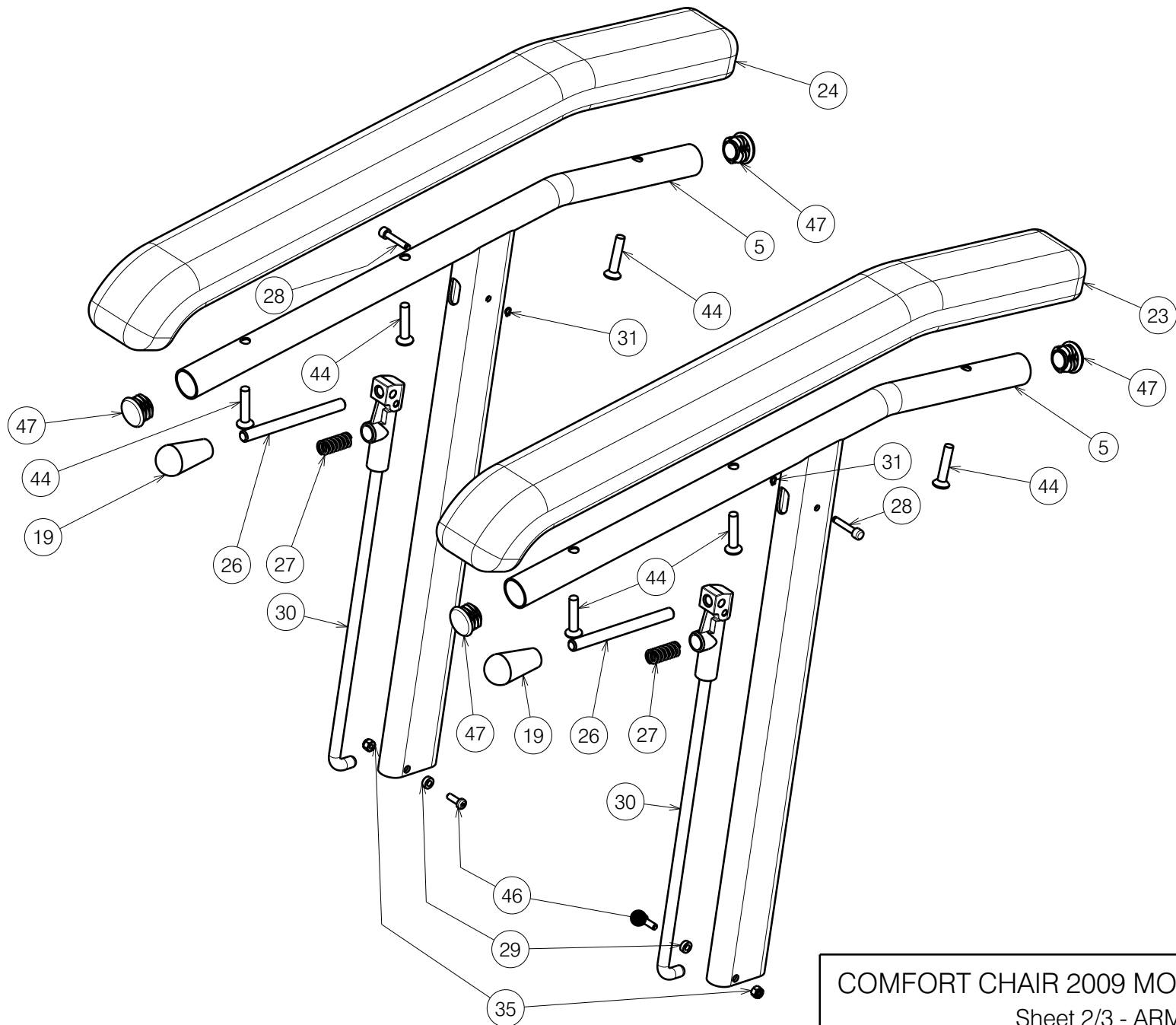


Detail A  
Scale: 2:5


5131005

E000980/T

COMFORT CHAIR 2009 MODEL LANGUEDOC				Plan Number
Sheet 1/3 - FRAME				E000980/T
Scale: 1:8	Drafted	Verified	Confirmed	
Date	15/01/2015	12/04/2021	12/04/2021	
Initials	SD	SD	PJ	



E000980/T


COMFORT CHAIR 2009 MODEL LANGUEDOC				Plan Number
Sheet 2/3 - ARMRESTS				E000980/T
Scale: 1:8	Drafted	Verified	Confirmed	
Date	15/01/2015	12/04/2021	12/04/2021	
Initials	SD	SD	PJ	

Bill of material							
No.	Plan	Article	Quantity	No.	Plan	Article	Quantity
1	Y012249	1667282	2	30	XP00208	2990139	2
2	Y015193	1715082	1	31	XP00297	2990125	2
3	Y015277	1714682	1	33	M18x16 DIN912/8.8	1001498	2
4	Y015293	1714700	1	34	---	1001610	4
5	Y015294	1714801	2	35	M4 DIN985	1001678	2
13	---	2072782	1	36	M6 DIN985	1001680	3
13A	YP00913	1836882	1	37	M8x60 DIN912/8.8	1997781	2
13B	X000989	1004539	4	39	---	1003277	2
14	YP00716	1825082	1	40	M6 DIN125A	1001564	2
16	X000319	G080200	1	41	M6x40	1006111	2
18	X001296	G065155	1	42	M6x50	1006997	1
19	---	1998407	2	43	M6x12	1007000	8
21	X002480	1993793	2	44	M6x30 DIN966/4.8	1007954	6
22	X004586	1904800	4	46	M4x12 DIN7985H	1900952	2
23	XP00177	2990116	1	47	---	1990648	4
24	XP00178	2990117	1	48	Ø4x20	1991373	2
25	X004587	1904801	2	50	Ø8x45	1993594	1
26	XP00176	1824100	2	51	150 N	1917602	1
27	XC00423	3991837	2	52	M6 DIN934	1001670	8
28	XP00180	1824500	2	53*	Ø4x40	1005207	2
29	XP00192	1826100	2	54**	M6x35 DIN966/4.8	1003903	4

\* Not mounted, delivered separately

\*\* Not depicted

E000980/T

COMFORT CHAIR 2009 MODEL LANGUEDOC				Plan Number
Sheet 3/3 - BILL OF MATERIAL				E000980/T
Scale: 1:8	Drafted	Verified	Confirmed	
Date	15/01/2015	12/04/2021	12/04/2021	
Initials	SD	SD	PJ	