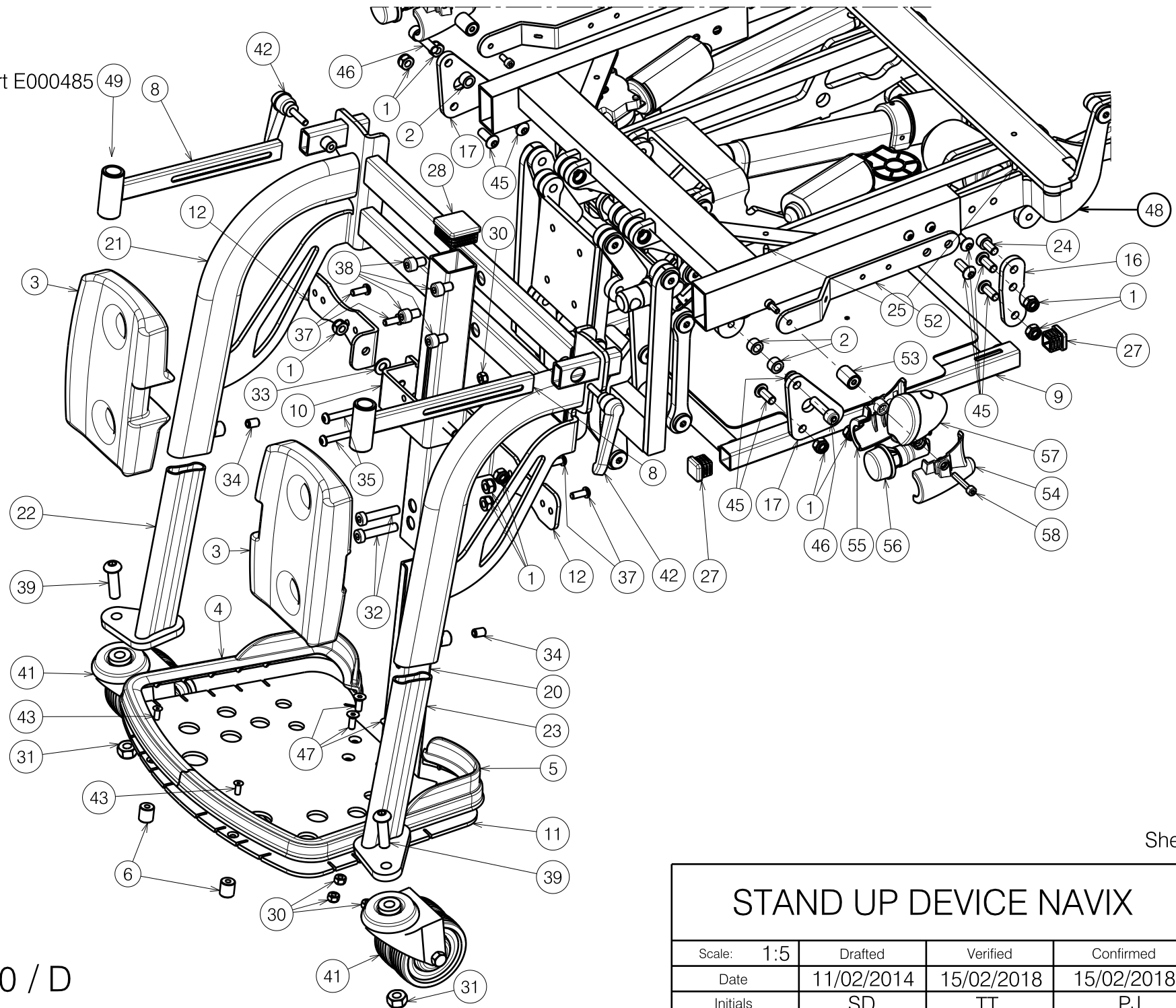



Knee support E000485

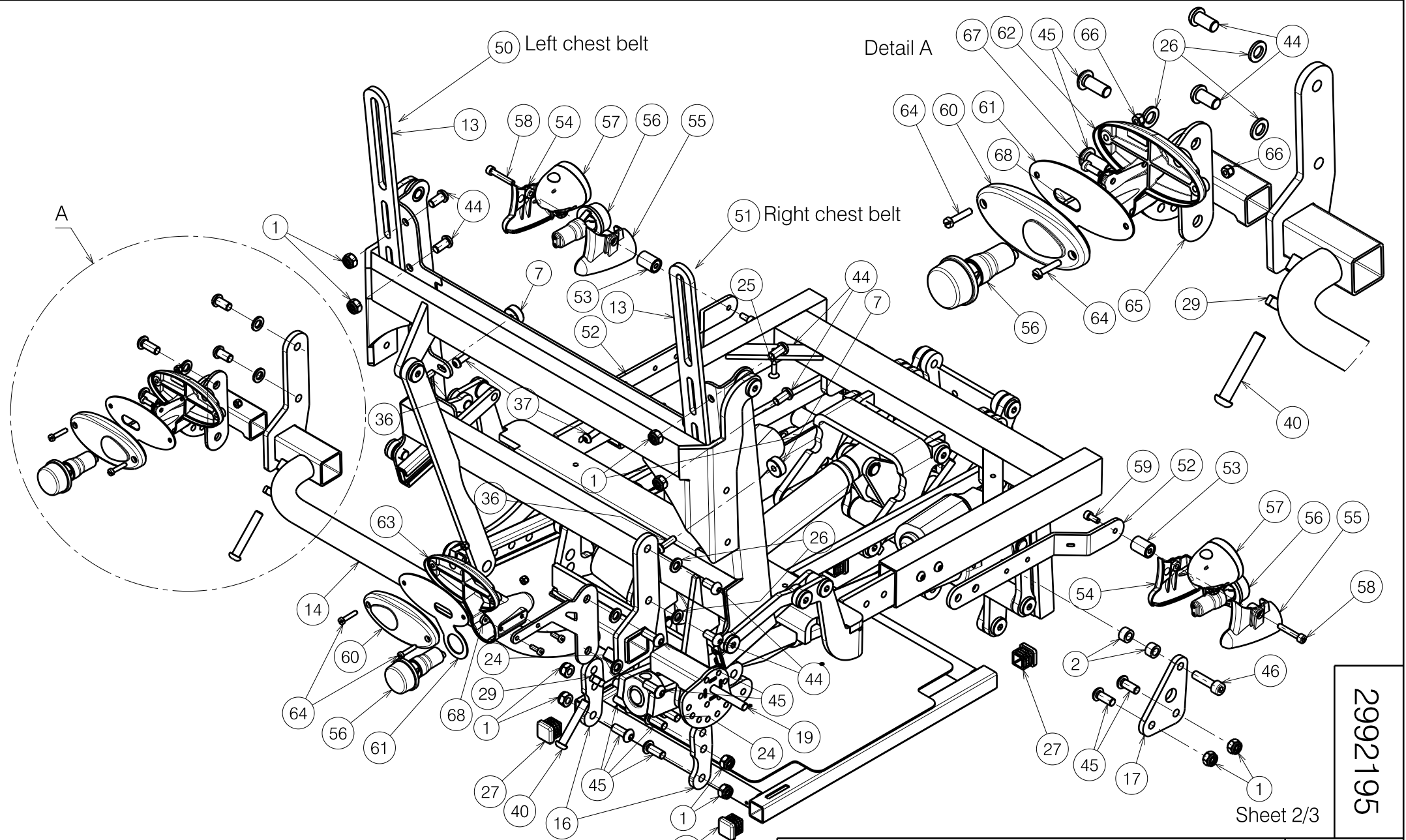


E000890 / D

Sheet 1/3


2992195

<h1>STAND UP DEVICE NAVIX</h1>				Plan No.
				E000890 / D
Scale: 1:5	Drafted	Verified	Confirmed	
Date	11/02/2014	15/02/2018	15/02/2018	
Initials	SD	TT	PJ	



2992195

E000890 / D

<h1>STAND UP DEVICE NAVIX</h1>				Plan No.
				E000890 / D
Scale: 1:5	Drafted	Verified	Confirmed	
Date	11/02/2014	15/02/2018	15/02/2018	
Initials	SD	TT	PJ	


Material							
No.	Plan	Article	Quantity	No.	Plan	Article	Quantity
1	X001016	1001682	16	36	M6x20 ISO7380	1006999	2
2	X003189	1996167	4	37	M6x16 ISO7380	1008459	6
3	X004785	1905949	2	38	M8X12 DIN912	1008963	4
4	X005023	1908370	1	39	M10x35 ISO7380	1009442	2
5	X005026	1908371	1	40	M8x50 ISO7380	1902483	2
6	X005094	1908701	2	41	---	1902764	2
7	XP00099	2990067	2	42	M6x25	1902933	2
8	Y014362	1703100	2	43	D5X12 DIN7337B	1908694	2
9	Y017814	1756754	1	44	M8x16 ISO7380	1991858	8
10	Y018160	1776854	1	45	M8x20 ISO7380	1992349	8 / 12*
11	Y018170	1776354	1	46	M8X30 DIN912	1992581	2
12	Y018367	1778154	2	47	M6X16 DIN7991	1994752	3
13	Y020081	1794154	2	48	---	1914783	1
14	Y020717	2003954	1	49	E000485	1903194	1
16	Y020086	2001954	2	50	X004297	1903149	1
17	Y020087	2002054	2	51	X004298	1903150	1
18	Y020718	2003754	1	52*	Y020906	2007854	2
19	Y020719	2003854	1	53*	X005340	1909865	2
20	Y020114	1793454	1	54*	X004943	1907376	2
21	Y020119	1793354	1	55*	X004942	1907377	2
22	Y020138	1793600	1	56*	---	1991679	4
23	Y020139	1793500	1	57*	---	1907340	2
24	M8X16 DIN912	1001498	2	58*	M5x30 DIN912	1903983	2
25	4.8x19 DIN7983	1001534	4	59*	M5x12 DIN912	1001489	2
26	M8 DIN125	1001556	4	60*	---	1907338	2
27	---	1001612	4	61*	Y017936	1759054	2
28	---	1001618	1	62*	X004939	1907375	1
29	M8 DIN934	1001671	2	63*	X004940	1907374	1
30	M6 DIN985	1001680	5	64*	M4x20 DIN84	1001466	4
31	M10 DIN985	1001683	2	65*	Y021069	2009054	2
32	M8x40 DIN7984	1003066	2	66*	M4 DIN985	1907202	4
33	M8 DIN125	1003199	2	67*	M4x12 DIN7984	1907582	4
34	M8x12 DIN916	1004885	2	68*	Y019695	1786500	2
35	M6x50 ISO7380	1006997	2				

\* with ligthing

Sheet 3/3

2992195

E000890 / D

<h1>STAND UP DEVICE NAVIX</h1>				Plan No.
				E000890 / D
Scale: 1:5	Drafted	Verified	Confirmed	
Date	11/02/2014	15/02/2018	15/02/2018	
Initials	SD	TT	PJ	