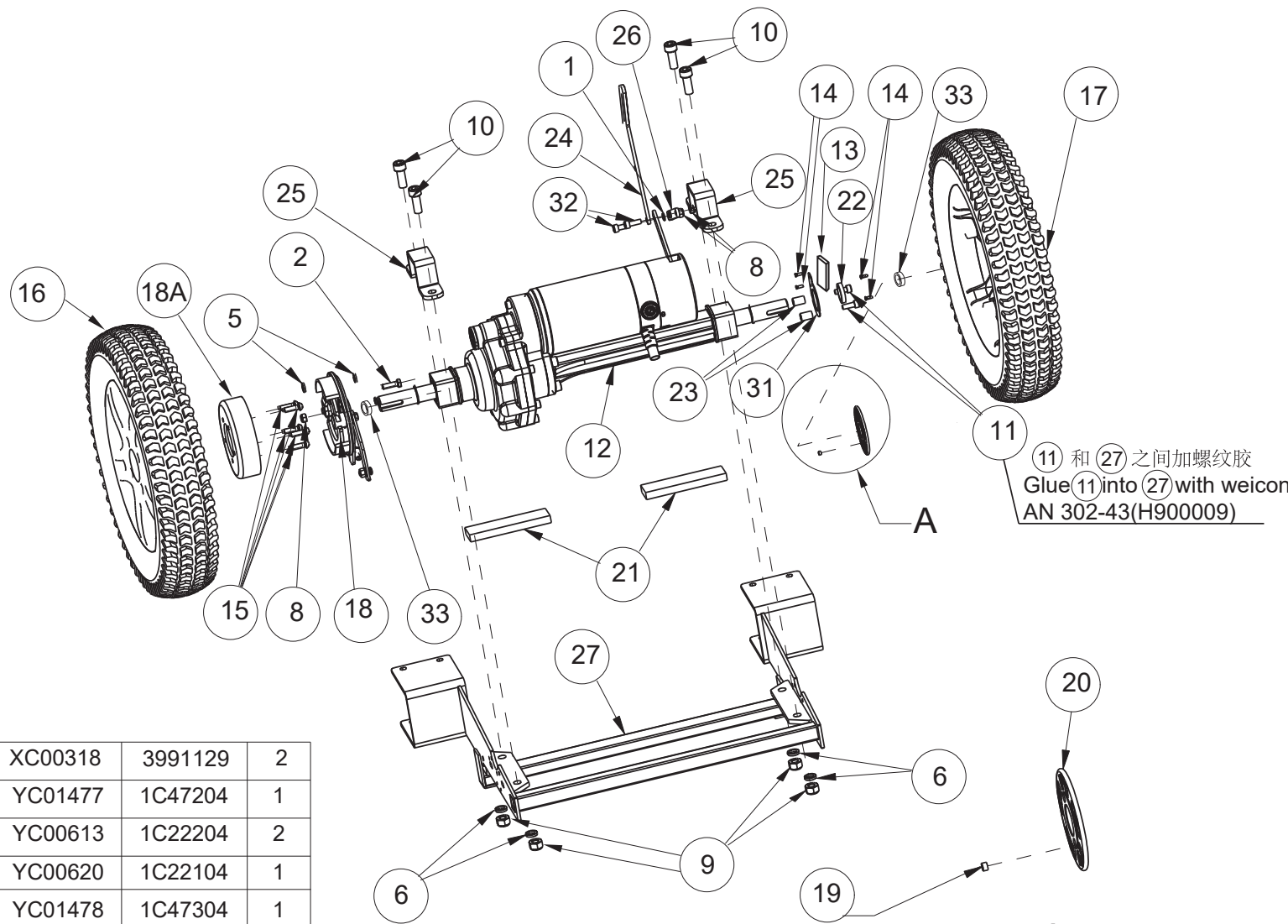


Material

No.	Plan	Article	Number
1	---	1000973	6
2	---	1001495	1
--	---	---	-
--	---	---	-
5	---	1001564	2
6	---	1001566	4
--	---	---	-
8	---	1001680	3
9	---	1001683	4
10	---	1001502	4
11	---	1006998	2
12	---	750W 3990598 600W 3990597	1
13	---	3992015	1
14	---	3990797	4
15	---	3990062	5
16	EC00296	---	1
17	EC00295	---	1
18	XC00188	3990643	1
18A	---	3993048	1
19	XC00189	3990722	1
20	XC00190	3990617	1
21	XC00274	3990732	2
22	XC00296	3990672	1



23	XC00318	3991129	2
24	YC01477	1C47204	1
25	YC00613	1C22204	2
26	YC00620	1C22104	1
27	YC01478	1C47304	1
--	---	---	-
--	---	---	-
31	YC00671	1C46500	1
32	---	1001493	2
33	---	1553400	2

EC00301/F

SV CARPO SE REAR WHEEL ASM				Plan No. EC00301/F
Scale: 1:8	Drafted	Verified	Confirmed	
Date	11/03/2015	16/11/2018	16/11/2018	
Init.	Mars	Mars	TG	