

Material			
No.	Plan	Article	Quantity
1	YP08302(R)	2613099KTL	1
	YP08306(L)	2613299KTL	1
2	YP06331(R)	2798399KTL	1
	YP06931(L)	2768999KTL	1
3	YP08304	2613199KTL	1
4	XP01732(R)	2993523	1
	XP01731(L)	2993522	1
5	XP01989	GP13900	1
6	X004747	1906057	2
7	XP02093	GP15800	1
8	XP02047	2993677	1
9	M6x16	2994067	2
10	XP01988	GP13800	1
11	M6x35	2994634	2
12	M6x25	2996887	1
13	XP02815	GP21100	2
14	M6x35	1006057	1
15	M6	2994063	1
16	Washer D6	1001564	1
17	Washer D8	1996214	2
18	M6x40	2994317	1
*19	XP03133	GP25000	2

\*Use until we get (4) in the new version.

Use WEICONLOCK AN 302-50.

EP00297 / H

ANTI TIPPING FOR TRIGO

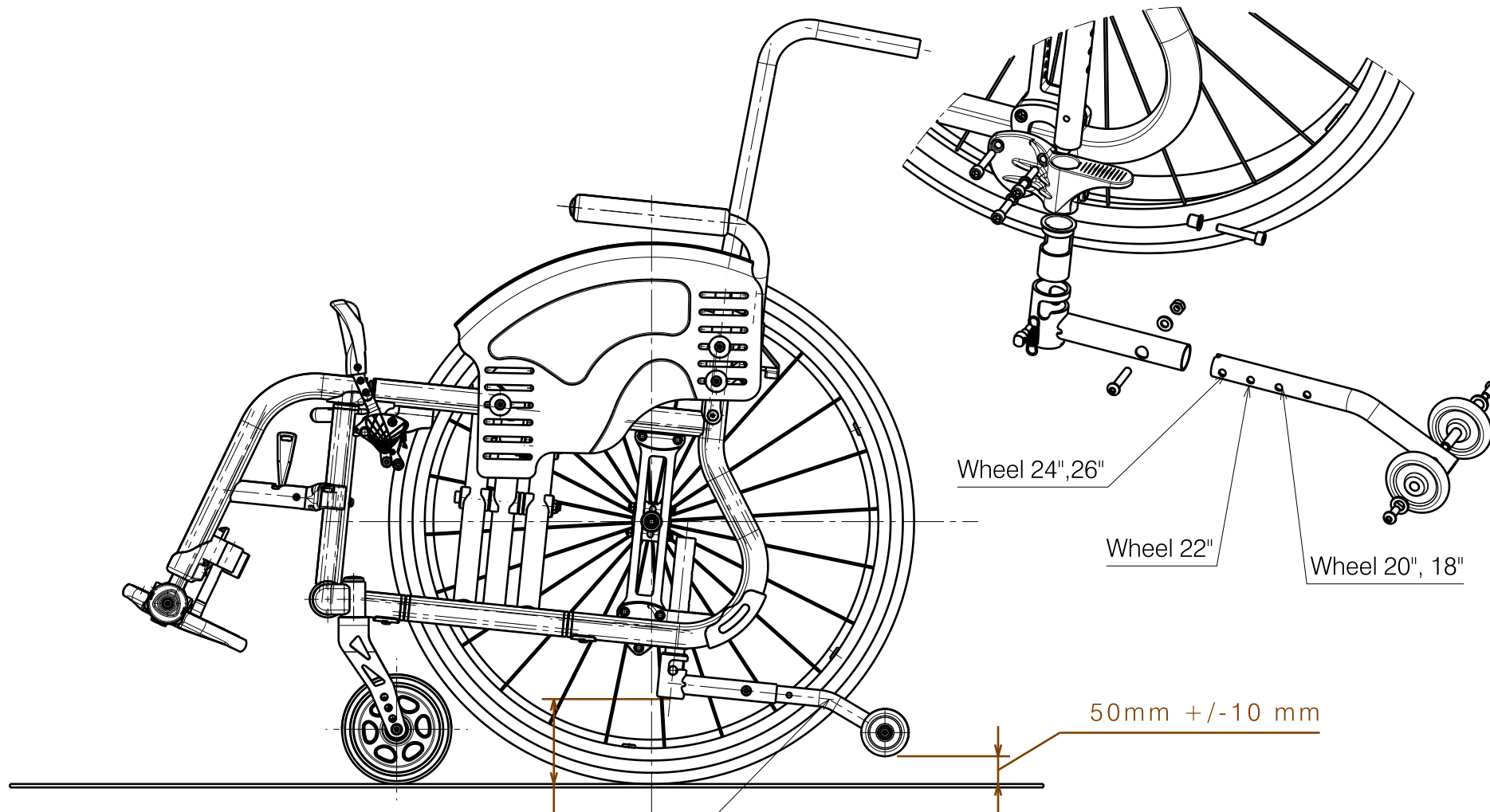
Page 1/3

Plan No.

EP00297 / H

Scale: 1:4	Drafted	Verified	Confirmed
Date	26/05/2018	03/02/2021	03/02/2021
Initials	AS	MK	TK





This X dimension should be as large as possible.  
 Default position of tube should be bent towards the ground.

/

Wymiar X powinien być jak największy.

Domyslnie ustawienie rury zagieciem w kierunku gruntu.

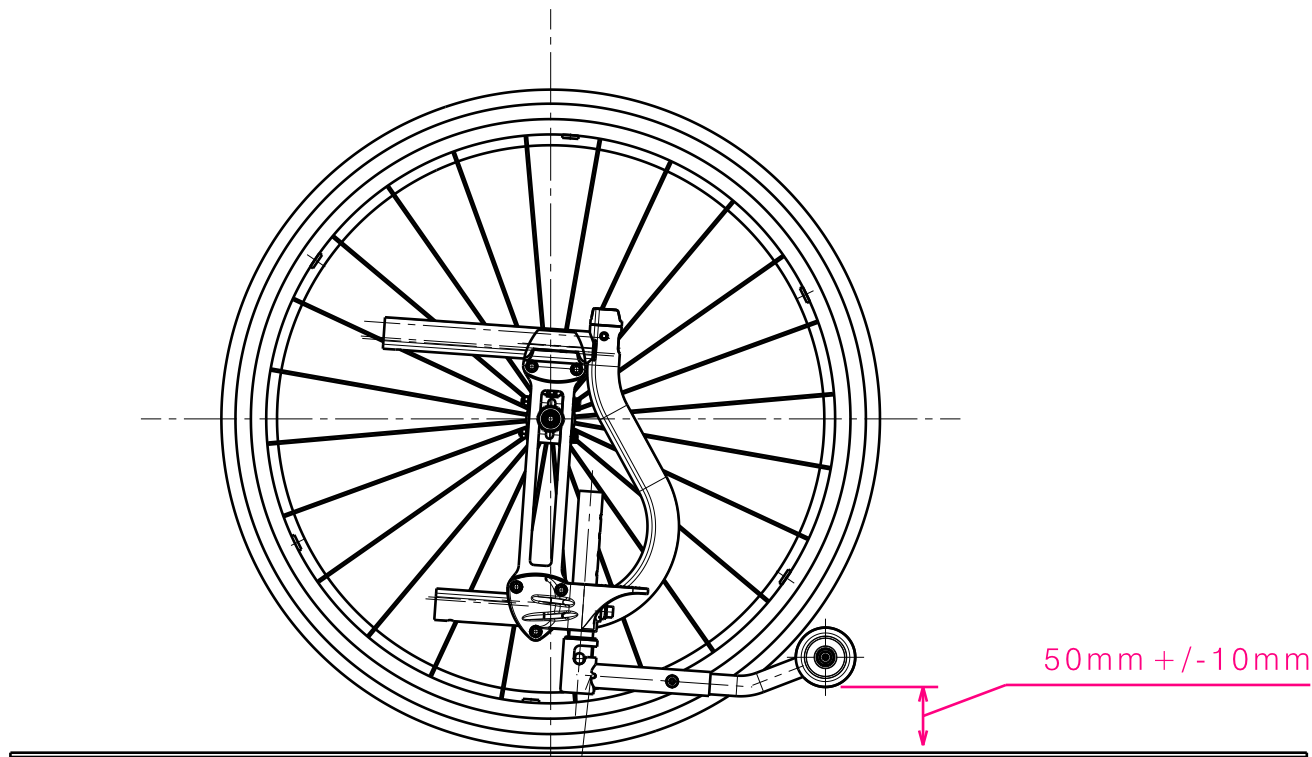
Optimal distance between the ground and the small  
 antitipper wheel must be 50mm +/- 10mm.

/

Optymalny wymiar pomiędzy gruntem a kołem  
 przeciwwyrotowym wynosi 50mm +/- 10mm.

EP00297 / H

ANTI TIPPING FOR TRIGO				Page 2/3	Plan No.
					EP00297 / H
Scale:	1:4	Drafted	Verified	Confirmed	
Date	26/05/2018	03/02/2021	03/02/2021		
Initials	AS	MK	TK		



When the rear wheel is mounted in the highest position and the frame is very low, the anti-tipping wheel turns to the up.

/

Gdy tylne koło jest zamontowane w najwyższej pozycji, a rama jest bardzo niska, koło przeciwwywrotne obrotic do gory.

EP00297 / H

ANTI TIPPING FOR TRIGO				Page 3/3	Plan No.
					EP00297 / H
Scale: 1:4	Drafted	Verified	Confirmed		
Date	26/05/2018	03/02/2021	03/02/2021		
Initials	AS	MK	TK		
					