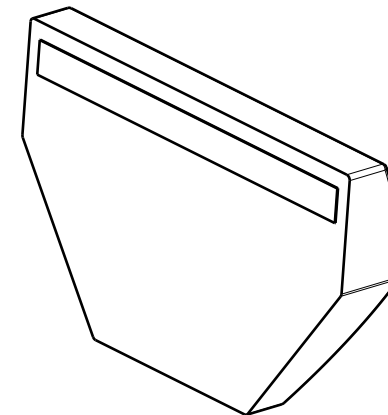


Material / Method 1			
No.	Plan	Article	Quantity
1	XP02628*	HP00572*	1
	XP01824**	HP00263**	1
2	XP02629*	2994429*	1
	XP01827**	2993543**	1
3	M6x12	1007000	4
4	Velcro 40mm black	1905876	0,50 [m]
5***	Fabric	...	0,40 [m]
6#	---	1005328	0,11 [m]

Fabric 5***		
No.	Colour	Article
1	Blue	1998128
2	Lavender	1997840
3	Brown	1908048
4	Black	1907414
5	Bright grey	1918077



Templates for legrest with wheels upholstery 5***

No.	Description	Article
1	Set	2997104
2	Front part	2997105
3	Left part	2997106
4	Right part	2997107

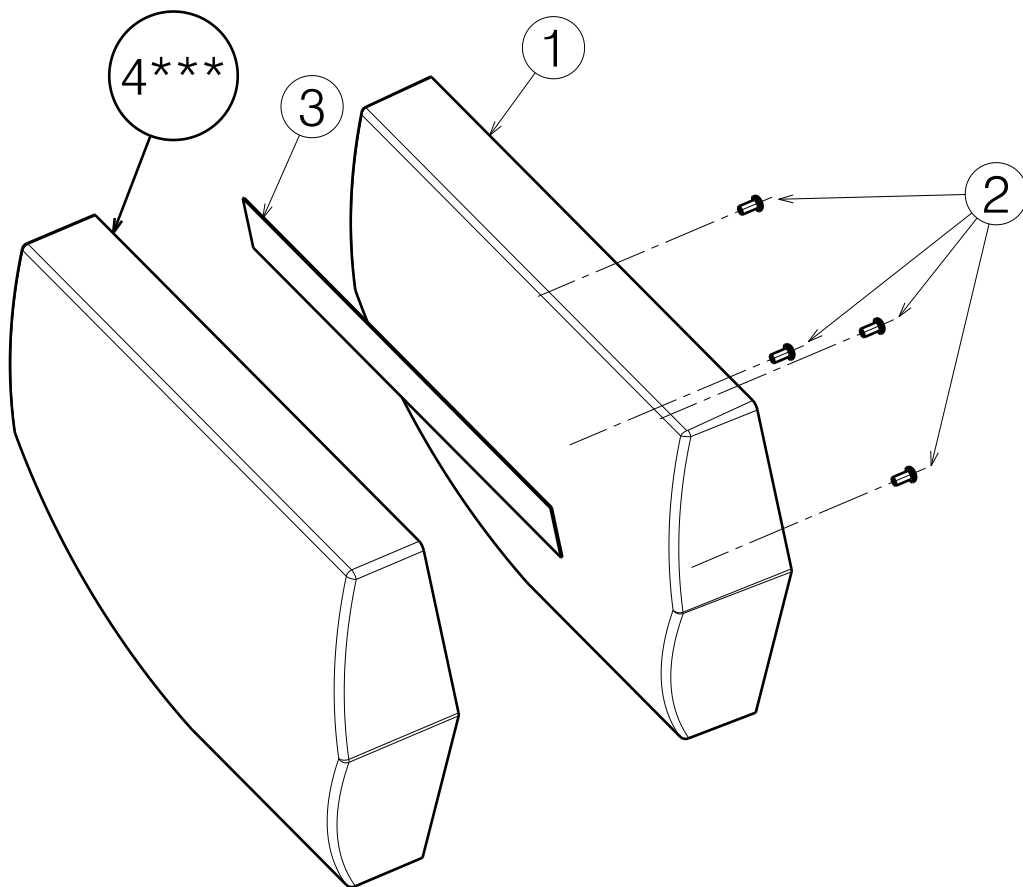
Templates for legrest without wheels upholstery 5***

No.	Description	Article
1	Set	2997108
2	Front part	2997109
3	Left part	2997110
4	Right part	2997111

* - for chair with wheels
 ** - for chair without wheels
 *** - to be chosen by customer
 # - not depicted

EP00533 / F

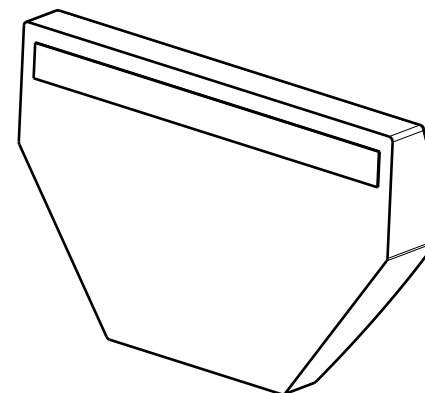
LEGREST / CHAIR WITH AND WITHOUT WHEELS				Plan No.
				1/2 EP00533/ F
Scale: 1:5	Drafted	Verified	Confirmed	
Date	10/07/2020	24/10/2022	24/10/2022	
Initials	AZ	PM	AZ	



Material / Method 2			
No.	Plan	Article	Quantity
1	XP03184*	2996808*	1
	XP03183**	2996807**	1
2	M6x12	1007000	4
3	Velcro 40mm black	1905876	0,50 [m]
4***	Fabric	...	0,40 [m]
5#	---	1005328	0,11 [m]

Fabric 4***		
No.	Colour	Article
1	Blue	1998128
2	Lavender	1997840
3	Brown	1908048
4	Black	1907414
5	Bright grey	1918077

Templates for legrest with wheels upholstery 4***		
No.	Description	Article
1	Set	2997104
2	Front part	2997105
3	Left part	2997106
4	Right part	2997107
Templates for legrest without wheels upholstery 4***		
1	Set	2997108
2	Front part	2997109
3	Left part	2997110
4	Right part	2997111



* - for chair with wheels
 ** - for chair without wheels
 *** - to be chosen by customer
 # - not depicted

EP00533 / F

LEGREST / CHAIR WITH AND WITHOUT WHEELS				Plan No.
				EP00533/ F
Scale: 1:5	Drafted	Verified	Confirmed	
Date	10/07/2020	24/10/2022	24/10/2022	
Initials	AZ	PM	AZ	

