

Use CA glue to connect 3 i 9/
Uzyc kleju CA do polaczenia detali 3 i 9.

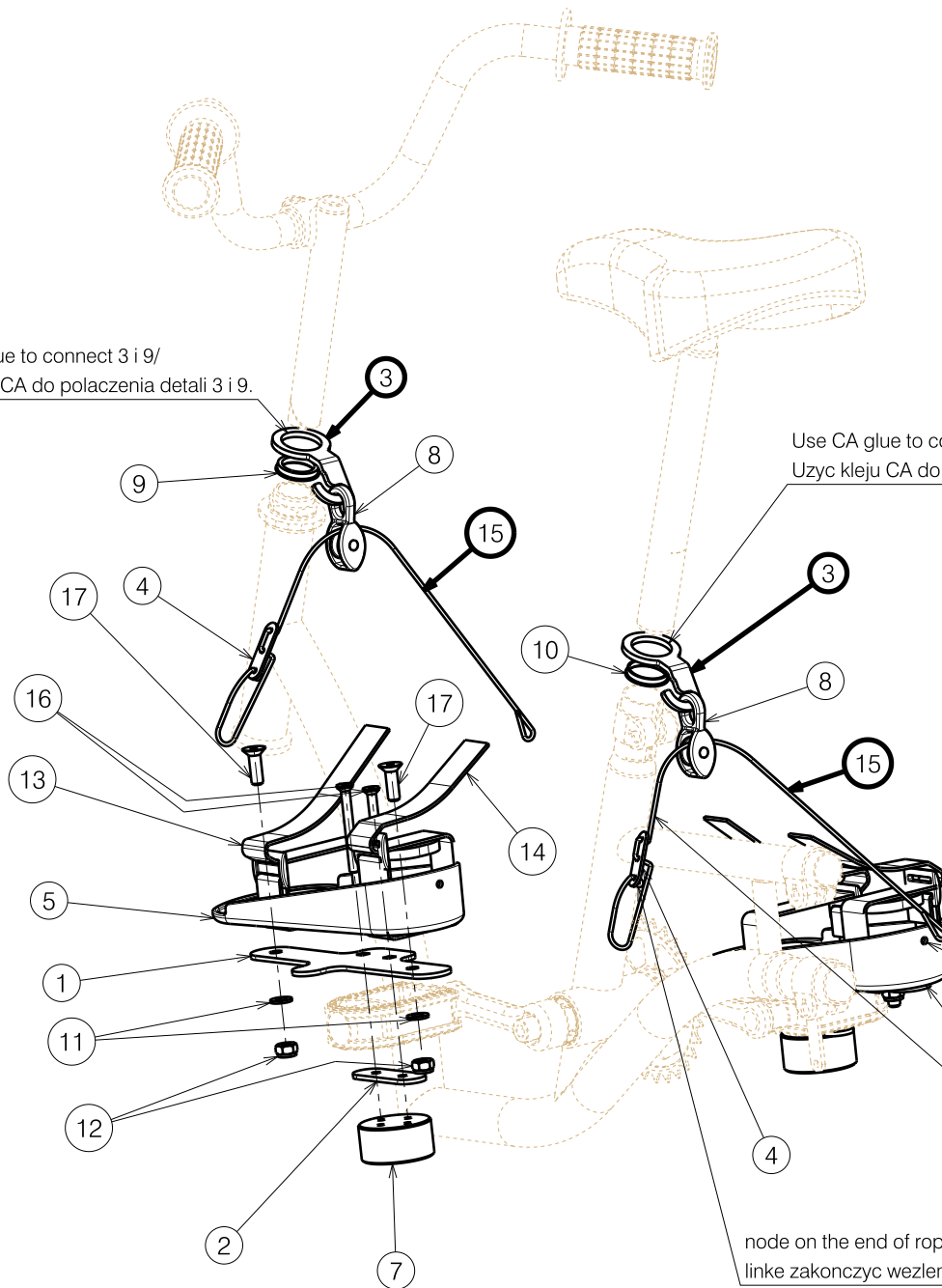
Use CA glue to connect 3 i 10/
Uzyc kleju CA do polaczenia detali 3 i 10.

node on the end of rope/
linke zakonczyc wezlem


Make tension rope when the foot support is in horizontal position in relation to the ground /
Linke naciagnac gdy support stopy jest w pozycji horzontalnej w stosunku do podloza.

node on the end of rope/
linke zakonczyc wezlem

Material			
No.	Plan	Article	Quantity
1	YP04885 (S)	2890804	1
	YP04891 (M)	2891204	1
	YP04897 (L)	2891604	1
2	YP04886	2890900	2
3	YP06649	2738200	2
	YP06651	2738300	2
	YP06652 (S)	2993870	1
4	YP06654 (M)	2993872	1
	YP06656 (L)	2993874	1
	YP06653 (S)	2993871	1
5	YP06655 (M)	2993873	1
	YP06657 (L)	2993875	1
	7	X001335	1400700
8	XP02224	2993867	2
9	XP02225	2993868	1
10	XP02226	2993869	1
11	D8,7 DIN 125 B	1001556	4
12	M8 DIN 985	1001682	4
13	XP01948 (S)	2993707	2
	XP01950 (M)	2993709	2
	XP01952 (L)	2993711	2
14	XP01949 (S)	2993708	2
	XP01951 (M)	2993710	2
	XP01953 (L)	2993712	2
15	---	2993963	2 [m]
16	M6x60 DIN 7991	2990055	4
17	M8x25 DIN 7991	1995598	4



EP00326 / B

FRONT AND REAR PULLEY SYSTEM / TRICYCLES 2202-2219				Plan No.
				EP00326/ B
Scale: 1:5	Drafted	Verified	Confirmed	
Date	17/08/2018	31/08/2018	31/08/2018	
Initials	AZ	TK	TK	