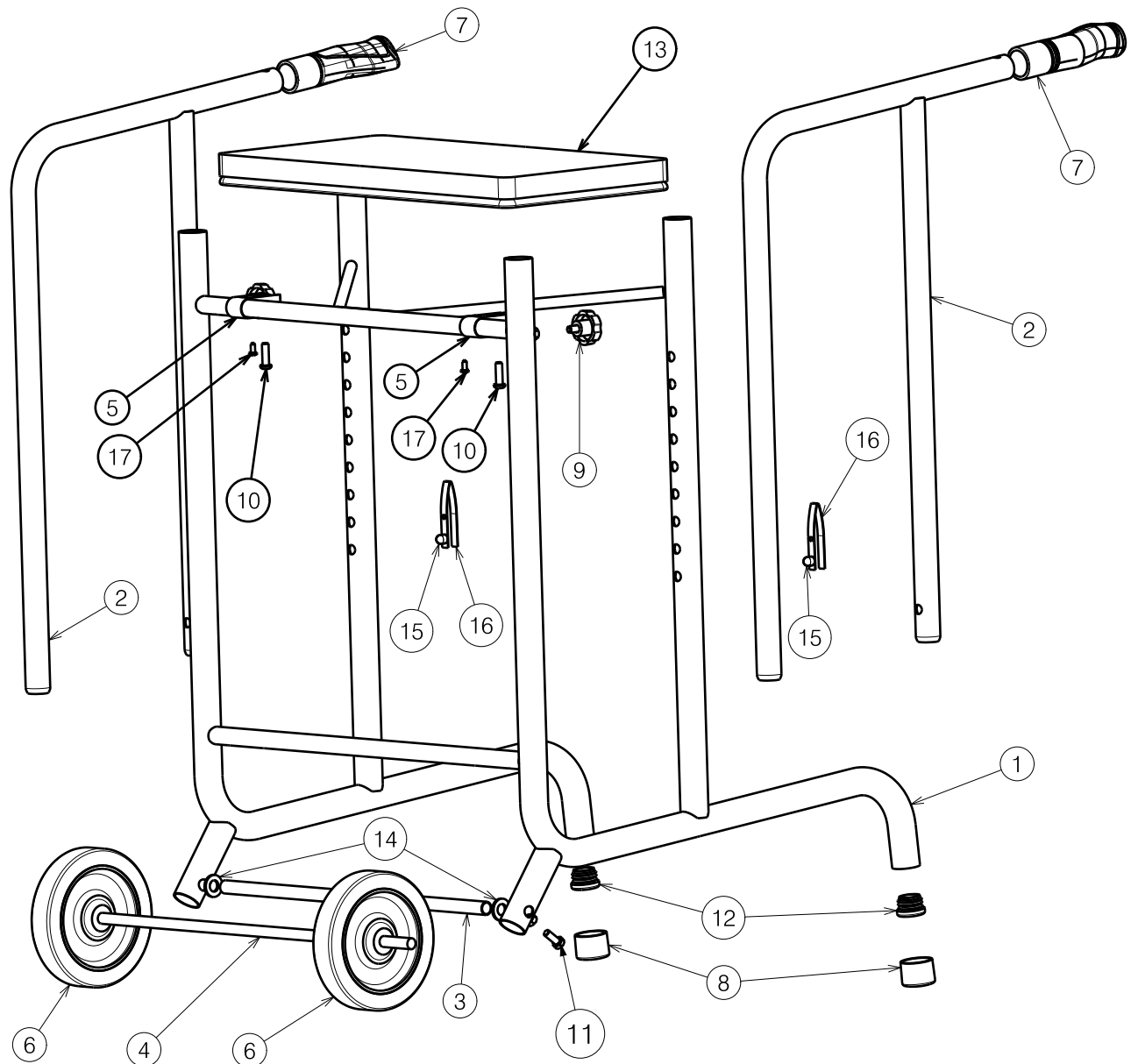
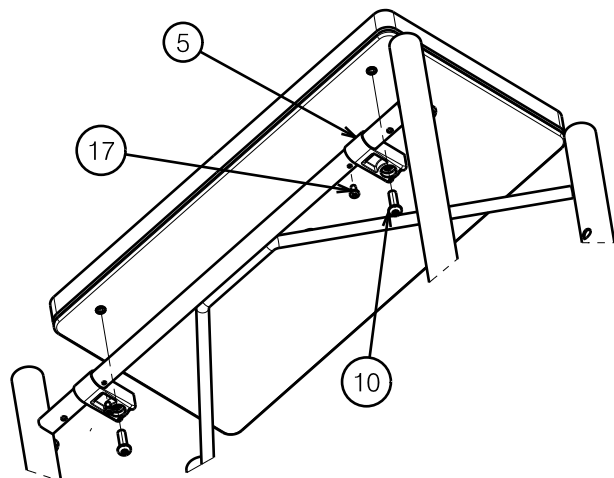


Material			
No.	Plan	Article	Qty
1	YC00258	1C108..	1
2	YC00259	1C10901	2
3	Y000630	13143..	1
4	Y000631	1314200	1
5	P00057677	1919792	2
6	∅130x20	1001254	2
7	X005513	1992600	2
8	X003293	1001626	2
9	M6x10	1003658	2
10	M6x20 ISO7380	1006999	2
11	M6x16 DIN933	1001429	1
12	D25	1001608	2
13	P00065300	1914394	1
14	M10 DIN125	1001558	2
15	X000273	G060600	2
16	X005514	F000050	2
17	D3,9X9,5	1001530	2



NOTICE: THE INFORMATION CONTAINED ON THIS DRAWING IS PROPRIETARY TO VERMEIREN GROUP AND SHALL NOT BE DISCLOSED IN WHOLE OR IN PART, OR USED FOR ANY DESIGN OR MANUFACTURE, EXCEPT WHEN SUCH USER POSSESSES DIRECT WRITTEN AUTHORISATION FROM VERMEIREN GROUP.

3990248

ROLLATOR 250

Plan No.

EC00048/H

Scale:	1:6	Drafted	Verified	Confirmed
Date	09/10/2017	28/07/2023	28/07/2024	
Initials	Mars	SD	PJ	

