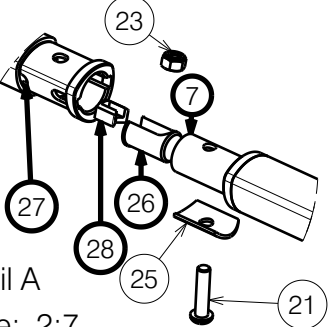



A:
 Degrease the screws and after adjustment use
 WEICONLOCK AN 302-43.



Detail A
 Scale: 2:7

After regulation use weiconlock for screws without selflocking.

EP00265 /J

FRAME TRIGO S-LINE 36-50				Plan No.
				EP00265/J
Scale: 1:7	Drafted	Verified	Confirmed	
Date	09/11/2017	18/03/2022	18/03/2022	
Initials	AS	PM	TK	


Material			
No.	Plan	Article	Quantity
1	YP05823(R)Low	27262...	1
	YP05584(R)Long	27156...	1
2	YP05824(L)Low	27263...	1
	YP05585(L)Long	27157...	1
3	YP05570(R)36	27148.. (70°)	1
	YP05571(R)38	27149.. (70°)	1
	YP05572(R)40	27150.. (70°)	1
	YP05573(R)42	27151.. (70°)	1
	YP05574(R)44	27152.. (70°)	1
	YP05575(R)46	27153.. (70°)	1
	YP05576(R)48	27154.. (70°)	1
	YP05577(R)50	27155.. (70°)	1
	YP06798(R)36	27490.. (80°)	1
	YP06799(R)38	27491..(80°)	1
	YP06800(R)40	27492..(80°)	1
	YP06801(R)42	27493..(80°)	1
	YP06802(R)44	27494..(80°)	1
	YP06803(R)46	27495..(80°)	1
	YP06804(R)48	27496..(80°)	1
	YP06805(R)50	27497..(80°)	1
	YP08595(R)38	26224..(90°)	1
	YP07248(R)40	27644..(90°)	1
	YP07247(R)42	27615..(90°)	1
	YP07246(R)44	27613..(90°)	1
	YP07245(R)46	27611..(90°)	1
	YP07244(R)48	27609..(90°)	1
4	YP07243(R)50	27607..(90°)	1
	YP05562(L)36	27140.. (70°)	1
	YP05563(L)38	27141.. (70°)	1
	YP05564(L)40	27142.. (70°)	1
	YP05565(L)42	27143.. (70°)	1
	YP05566(L)44	27144.. (70°)	1

Material			
No.	Plan	Article	Quantity
4	YP05567(L)46	27145.. (70°)	1
	YP05568(L)48	27146.. (70°)	1
	YP05569(L)50	27147.. (70°)	1
	YP06809(L)36	27501.. (80°)	1
	YP06810(L)38	27502..(80°)	1
	YP06811(L)40	27503..(80°)	1
	YP06812(L)42	27504..(80°)	1
	YP06813(L)44	27505..(80°)	1
	YP06814(L)46	27506..(80°)	1
	YP06815(L)48	27507..(80°)	1
	YP06816(L)50	27508..(80°)	1
	YP08596(L)38	26223..(90°)	1
	YP07274(L)40	27698..(90°)	1
	YP07273(L)42	27616..(90°)	1
	YP07272(L)44	27614..(90°)	1
	YP07271(L)46	27612..(90°)	1
	YP07270(L)48	27610..(90°)	1
	YP07269(L)50	27608..(90°)	1
5	Rear Wheel (L,R)	EP00243	2
6	Front Fork (L,R)	EP00255	2
7	Cross (36-46)	EP00244	1
	Cross (48-50)	EP00351	1
8	Opening footrest	EP00249	1
	Folding footrest	EP00245	1
9	XP02769(R)raw	GP00220	1
	XP02770(L)raw	GP00221	1
10	PushpullbrakeR	EP00252	1
11	PushpullbrakeL	EP00253	1
12	XP01817	GP117	2
13	XP01485	2993437	2
14	XP01540	2993439	2

Material			
No.	Plan	Article	Quantity
15	XP01518	2993489	2
16	XP01634	GP096	8
17	M6x20	2994010	4
18	YP08498	2618265	2
19	M6x30	2994129	2
20	XP01560	2993561	2
21	M6x25	2994062	6
* 22	Hole plug d6	2994336	2
23	M6	1001680	4
24	M8	1001682	4
25	Y000697	1100004	2
26	XP03399	2995447	4
27	P00030394	2995366	8
28	P00030398	2995449	4

* Use for unused holes.

EP00265 / J

FRAME TRIGO S-LINE 36-50				Plan No.
				EP00265/ J
Scale: 1:7	Drafted	Verified	Confirmed	
Date	09/11/2017	18/03/2022	18/03/2022	
Initials	AS	PM	TK	