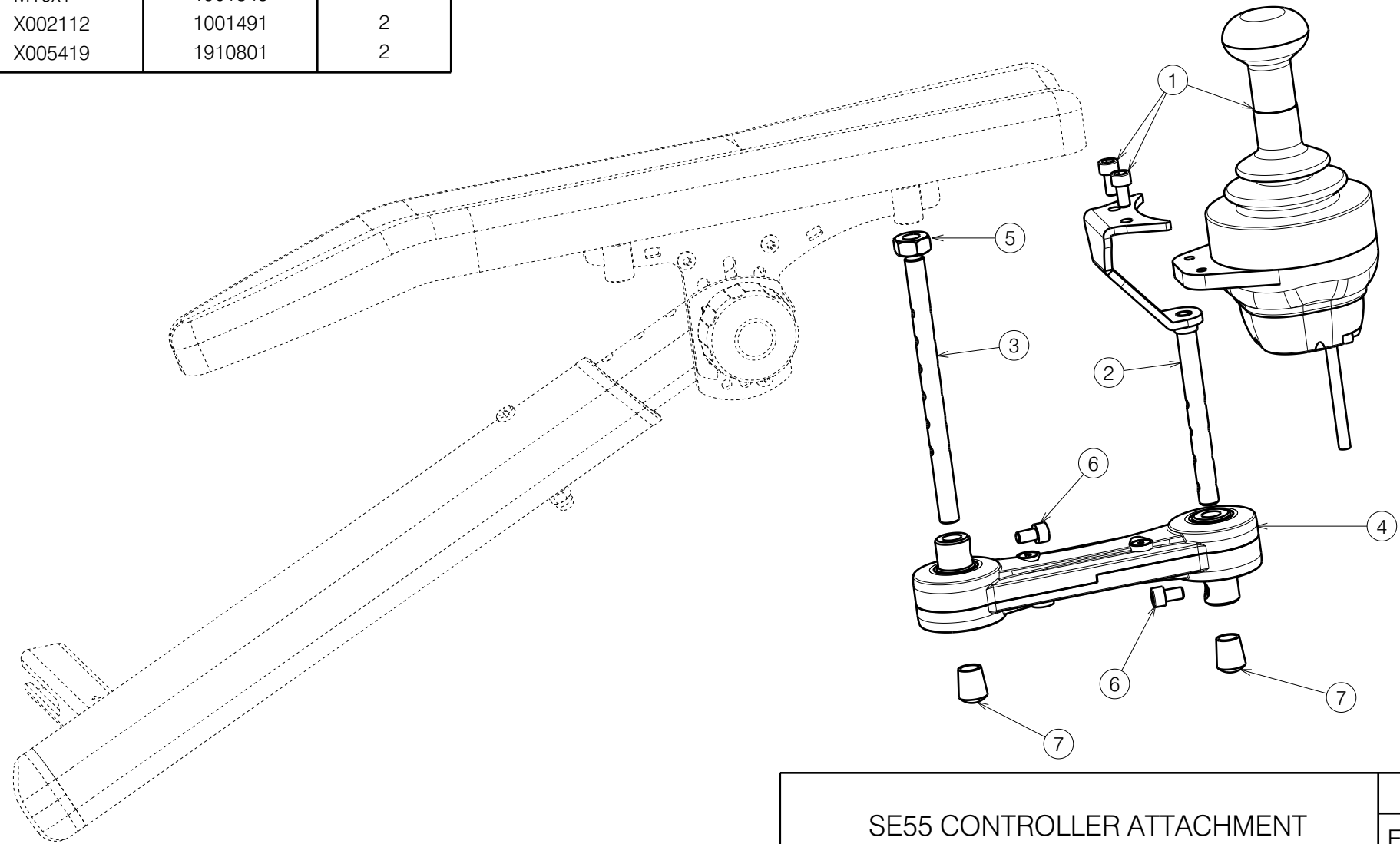



Material			
No.	Plan	Article	Quantity
1	---	1918529	1
2	YP09019	26329...	1
3	X004992	G116300	1
4	P000027	1908428	1
5	M10x1	1901345	1
6	X002112	1001491	2
7	X005419	1910801	2



EP00585 / A

SE55 CONTROLLER ATTACHMENT				Plan No.
				EP00585 / A
Scale: 1:3	Drafted	Verified	Confirmed	
Date	26/05/2021	26/05/2021	26/05/2021	
Initials	AS	MK	TK	