
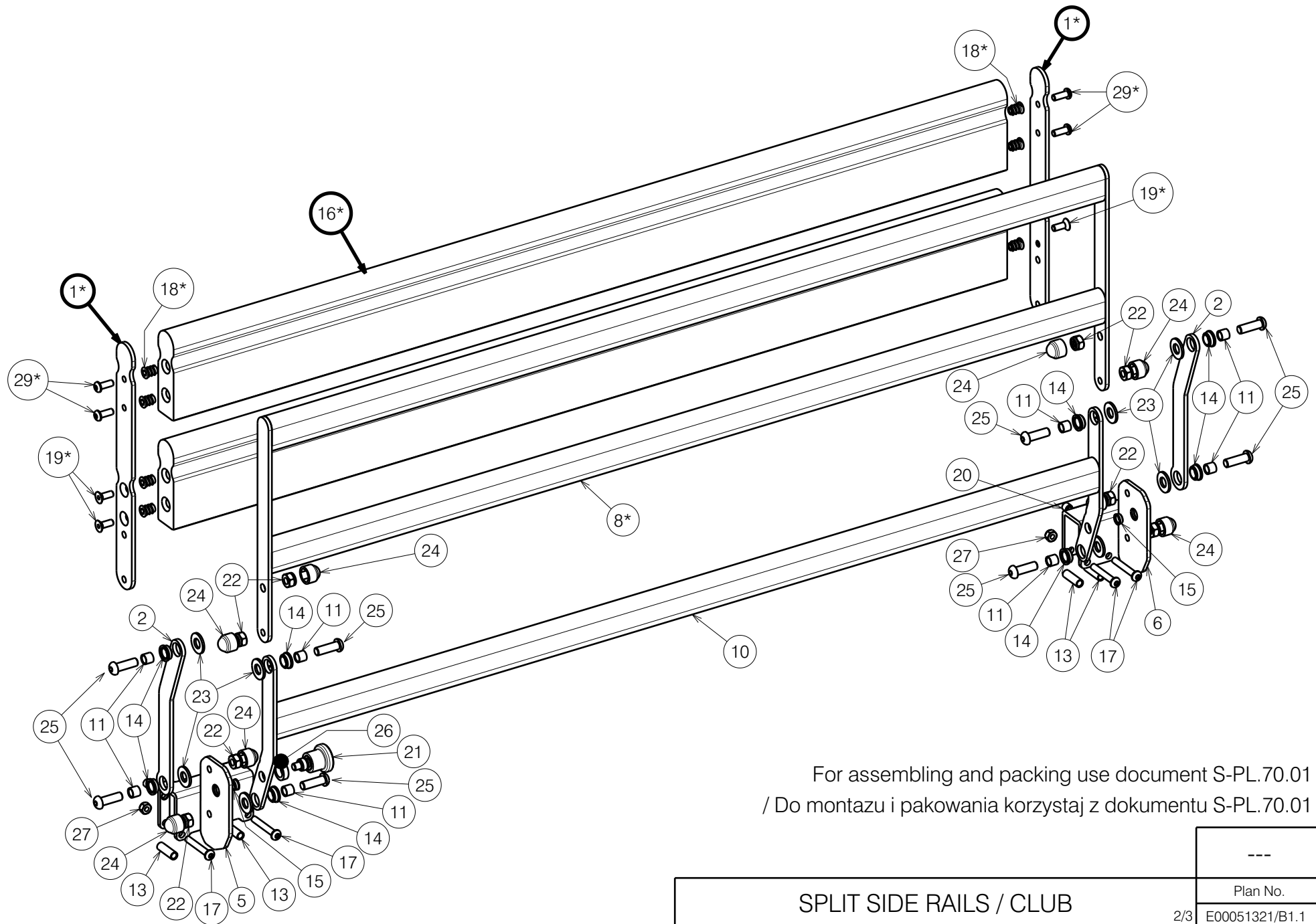


* - depends on option / zaleznie od opcji

Right headside depicted / Na ilustracji prawa strona zaglowka

For assembling and packing use document S-PL.70.01
/ Do montazu i pakowania korzystaj z dokumentu S-PL.70.01

SPLIT SIDE RAILS / CLUB			
			1/3
Scale:	1:5	Drafted	Verified
Date	2023-02-06	2023-05-19	2023-05-19
Initials	OY	OY	AZ
			Plan No. E00051321/B1.1
			



For assembling and packing use document S-PL.70.01
 / Do montazu i pakowania korzystaj z dokumentu S-PL.70.01

* - depends on option / zaleznie od opcji
 Right footside depicted / Na ilustracji prawa strona podnozka


SPLIT SIDE RAILS / CLUB				---
				Plan No.
				E00051321/B1.1
Scale: 1:5	Drafted	Verified	Confirmed	2/3
Date	2023-02-06	2023-05-19	2023-05-19	
Initials	OY	OY	AZ	



No.	Plan	Article	Qty
1*	YP08012	2606837	8
2	YP07990	2603837	8
3	P00051323	2672037 (L)	1
	P00051324	2672137 (R)	1
4	YP08015	2604137 (L)	1
	YP08016	2604237 (R)	1
5	YP08017	2604337 (L)	1
	YP08018	2604437 (R)	1
6	YP08628	2623537 (L)	1
	YP08629	2623637 (R)	1
7*	YP08630	2623737	2
8*	YP08631	2623837	2
9	YP08632	2623937	2
10	YP08633	2624037	2
11	XP03050	GP23100	32
12*	XP03134	HP00680	4
13	XP03116	GP24700	14
14	XP02893	2994748	32
15	XP02894	GP21800	8
16*	XP03135	HP00681	4
17	M6x40 ISO7380	1006111	14
18*	Insert M6x13	2995002	32
19*	M6x16 DIN7991	1994752	16
20	M8x8 DIN916/45H	2996665	8
21	Blocker Pin M12	2994540	4
22	M8 DIN985	1001682	32
23	D21 DIN125	1001557	32
24	Nut Cap M8 Grey	2994898	32

No.	Plan	Article	Qty
25	M8x25 ISO7380	1990501	32
26	XP03232	GP26300	4
27	M6 DIN985	1001680	14
28**	XP03129	U000430	1
29*	M6x16 ISO7380	1008459	16

For assembling and packing use document S-PL.70.01
/ Do montazu i pakowania korzystaj z dokumentu S-PL.70.01

SPLIT SIDE RAILS / CLUB				---
				Plan No. E00051321/A1.1
Scale: ---	Drafted	Verified	Confirmed	
Date	2023-02-06	2023-05-19	2023-05-19	
Initials	OY	OY	AZ	

* - depends on option / zaleznie od opcji

** - not depicted / nie ujeta