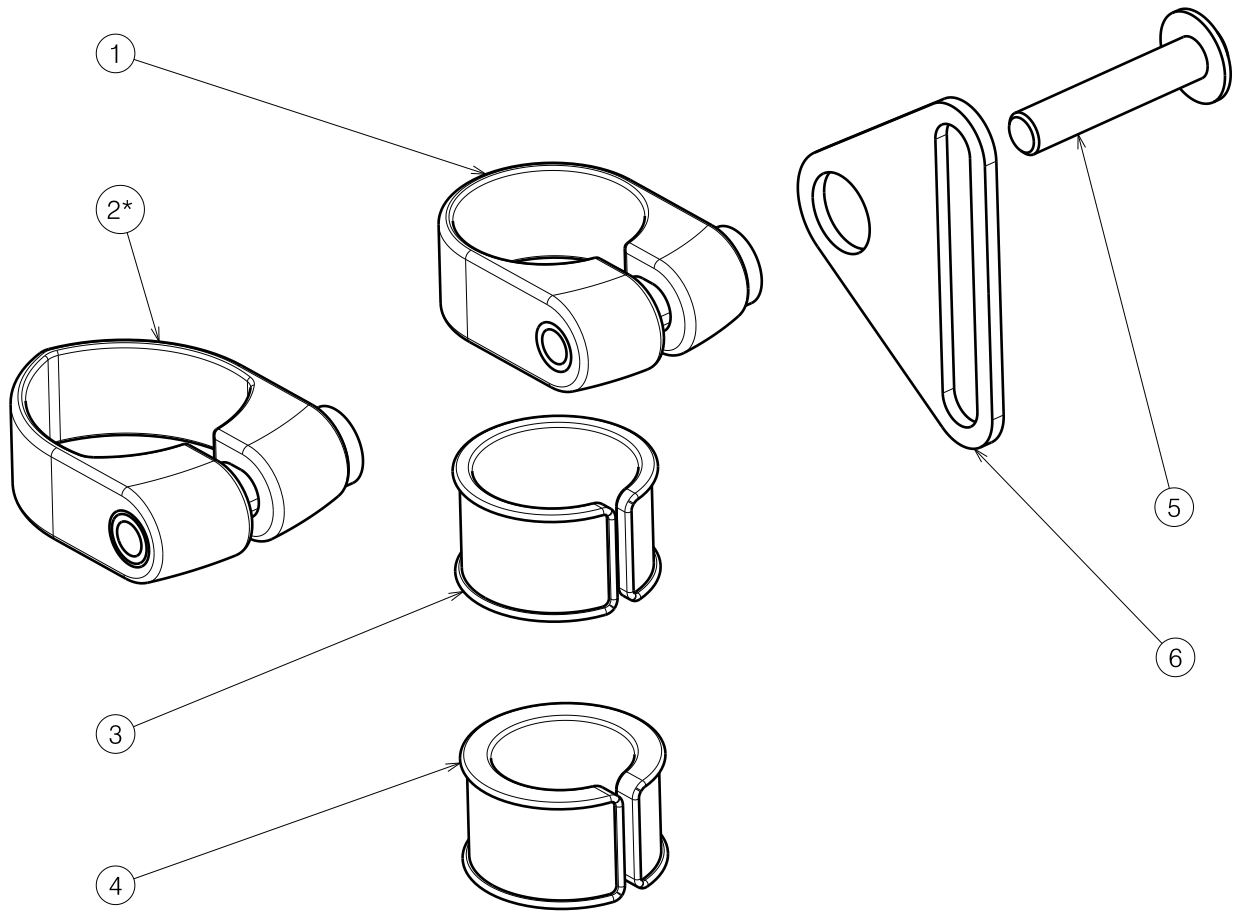


Material			
No.	Plan	Article	Quantity
1	XP01976	2993641	1
2	XP02312	2994198	1
3	XP01980	2993813	1 </td
4	XP01979	2993812	1
5	M6X30 collar bolt	2994294	1
6	YP07178	2760099	1



*Use only for TRIGO wheelchair

EP00383 / A

NEOFLEX CLAMPS SET				Plan No.
				EP00383/ A
Scale: N/A	Drafted	Verified	Confirmed	
Date	05/03/2019	05/03/2019	05/03/2019	
Initials	FD	AS	TK	