

| Material |               |             |          |
|----------|---------------|-------------|----------|
| No.      | Plan          | Article     | Quantity |
| 1A       | ---           | 1917101 (L) | 1        |
|          | ---           | 1917102 (R) | 1        |
| 1B       | ---           | 1917100     | 1        |
| 2        | ---           | 1917099     | 1        |
| 3*       | ---           | 1917103     | 1        |
| 4        | XP03359       | GP27700     | 2        |
| 5        | YP09296       | 2644404     | 2        |
| 6        | M6x20 DIN7380 | 1006999     | 2        |
| 7        | Washer M6     | 1001564     | 2        |
| 8**      | Montage set   | ---         | 1        |

\*- Optional

\*\* - Check 2nd sheet for details


| Combination               | Uses        |
|---------------------------|-------------|
| B66MB                     | 1B+2        |
| B66MBL (long)             | 1B+2+3      |
| B66MBA (anatomical)       | 1A(L/R)+2   |
| B66MBAL (anatomical long) | 1A(L/R)+2+3 |

EP00626 / A

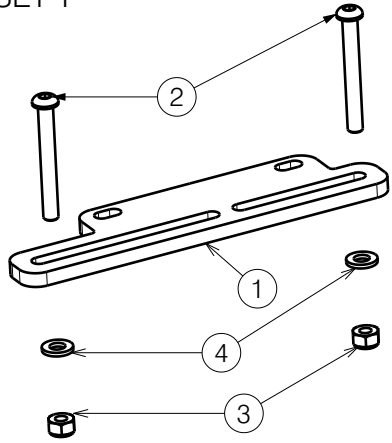
|                            |            |            |            |            |
|----------------------------|------------|------------|------------|------------|
| <h1>B66 Modular Basic</h1> |            |            |            | Plan No.   |
|                            |            |            |            | EP00626/ A |
| Sheet 1/4                  |            |            |            |            |
| Scale: 1:3                 | Drafted    | Verified   | Confirmed  |            |
| Date                       | 16/11/2021 | 16/11/2021 | 16/11/2021 |            |
| Initials                   | PM         | AZ         | TK         |            |

| Montage Set | Products   | Set Article Number |
|-------------|--|--------------------|
| 1           | B02 V-Series<br>B03 V-Series   | 2997154            |
| 2           | B04 V-Series<br>B05 V-Series   | 2997155            |
| 3           | B04 V-Series 2016<br>Bi5 Turios<br>Bi5 Lotus<br>Bi5 V-Series<br>Bi5 Trigo<br>Inovys II | 2997156            |
| 4           | B03 Eclips/ Jazz   | 2997157            |
| 5           | Timix/ Forest 3/ Sigma   | 2997158            |
| 6           | Navix  | 2997159            |
| 7           | Ascend   | 2997160            |
| 8           | B02 708D<br>B03 708D<br>B02 Eclips/ Jazz   | 2997161            |

EP00626 / A

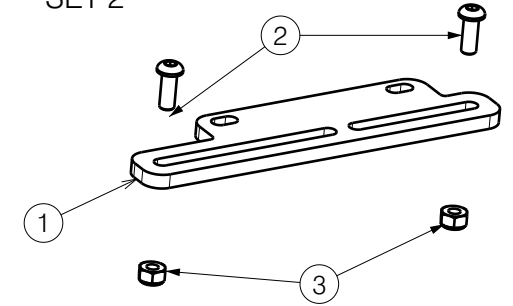
|                          |            |            |            |   |
|--------------------------|------------|------------|------------|---|
| <b>B66 Modular Basic</b> |            |            |            | Plan No.  |
| Sheet 2/4                |            |            |            | EP00626/ A  |
| Scale: 1:3               | Drafted    | Verified   | Confirmed  |  |
| Date                     | 16/11/2021 | 16/11/2021 | 16/11/2021 |   |
| Initials                 | PM         | AZ         | TK         |   |

SET 1



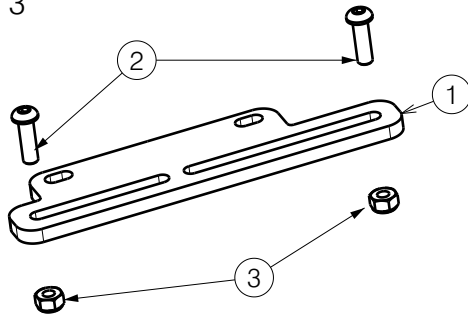
| Montage Set 1 - 2997154 |               |         |          |
|-------------------------|---------------|---------|----------|
| No.                     | Plan          | Article | Quantity |
| 1                       | YP09351       | 2644604 | 1        |
| 2                       | M6x50 ISO7380 | 1006997 | 2        |
| 3                       | M6 DIN1587    | 1001680 | 2        |
| 4                       | M6 DIN125     | 1001564 | 2        |

SET 2



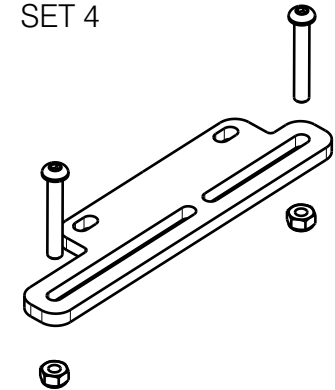
| Montage Set 2 - 2997155 |               |         |          |
|-------------------------|---------------|---------|----------|
| No.                     | Plan          | Article | Quantity |
| 1                       | YP09351       | 2644604 | 1        |
| 2                       | M6x16 ISO7380 | 1008459 | 2        |
| 3                       | M6 DIN985     | 1001680 | 2        |

SET 3



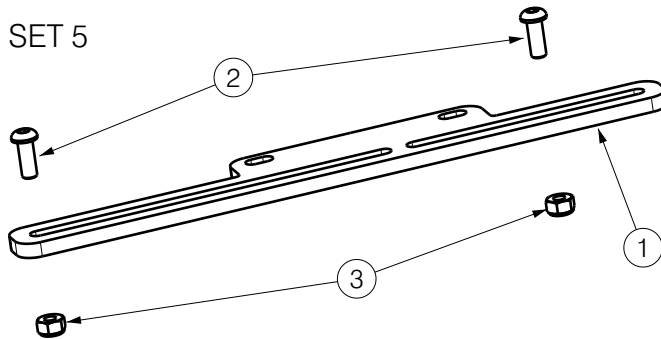
| Montage Set 3 - 2997156 |               |         |          |
|-------------------------|---------------|---------|----------|
| No.                     | Plan          | Article | Quantity |
| 1                       | YP09351       | 2644604 | 1        |
| 2                       | M6x20 ISO7380 | 1006999 | 2        |
| 3                       | M6 DIN985     | 1001680 | 2        |

SET 4



| Montage Set 4 - 2997157 |               |         |          |
|-------------------------|---------------|---------|----------|
| No.                     | Plan          | Article | Quantity |
| 1                       | YP09351       | 2644604 | 1        |
| 2                       | M6x40 ISO7380 | 1006111 | 2        |
| 3                       | M6 DIN1587    | 1001680 | 2        |

SET 5

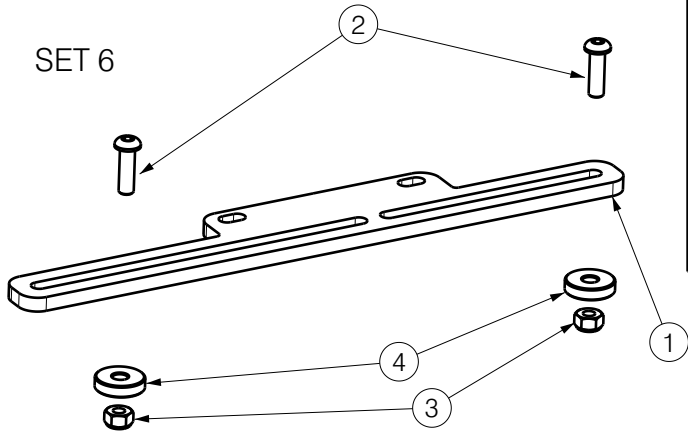


| Montage Set 5 - 2997158 |               |         |          |
|-------------------------|---------------|---------|----------|
| No.                     | Plan          | Article | Quantity |
| 1                       | YP09289       | 2644304 | 1        |
| 2                       | M6x16 ISO7380 | 1008459 | 2        |
| 3                       | M6 DIN985     | 1001680 | 2        |

EP00626 / A

|   |            |            |            |            |
|---|------------|------------|------------|------------|
| <h1>B66 Modular Basic</h1> <p>Sheet 3/4</p> |            |            |            | Plan No.   |
|   |            |            |            | EP00626/ A |
| Scale:                                      | Drafted    | Verified   | Confirmed  |            |
| Date  | 16/11/2021 | 16/11/2021 | 16/11/2021 |            |
| Initials                                    | PM         | AZ         | TK         |            |

SET 6

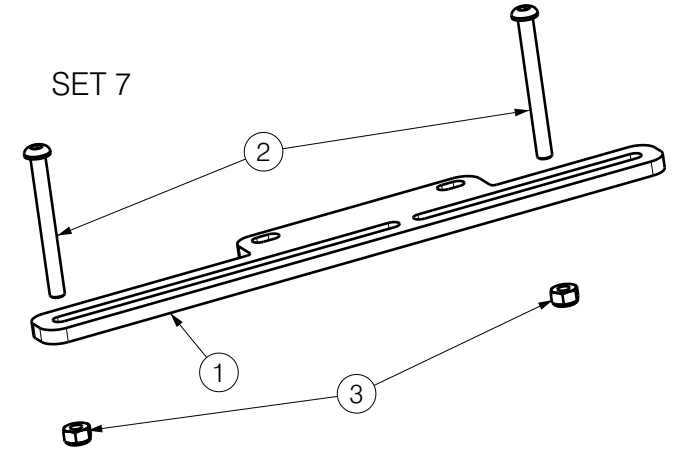


| Montage Set 6 - 2997159 |               |         |          |
|-------------------------|---------------|---------|----------|
| No.                     | Plan          | Article | Quantity |
| 1                       | YP09289       | 2644304 | 1        |
| 2                       | M6x20 ISO7380 | 1006999 | 2        |
| 3                       | M6 DIN985     | 1001680 | 2        |
| 4                       | XP00227       | 2990147 | 2        |

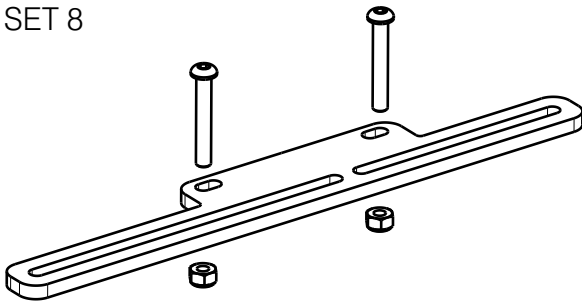
Montage Set 7 - 2997160

| No. | Plan          | Article | Quantity |
|-----|---------------|---------|----------|
| 1   | YP09289       | 2644304 | 1        |
| 2   | M6x60 ISO7380 | 1992915 | 2        |
| 3   | M6 DIN985     | 1001680 | 2        |

SET 7



SET 8



Montage Set 8 - 2997161

| No. | Plan          | Article | Quantity |
|-----|---------------|---------|----------|
| 1   | YP09289       | 2644304 | 1        |
| 2   | M6x40 ISO7380 | 1006111 | 2        |
| 3   | M6 DIN985     | 1001680 | 2        |

# B66 Modular Basic

Sheet 4/4

Plan No.

EP00626 / A

|          |            |            |            |
|----------|------------|------------|------------|
| Scale:   | Drafted    | Verified   | Confirmed  |
| Date     | 16/11/2021 | 16/11/2021 | 16/11/2021 |
| Initials | PM         | AZ         | TK         |



EP00626 / A