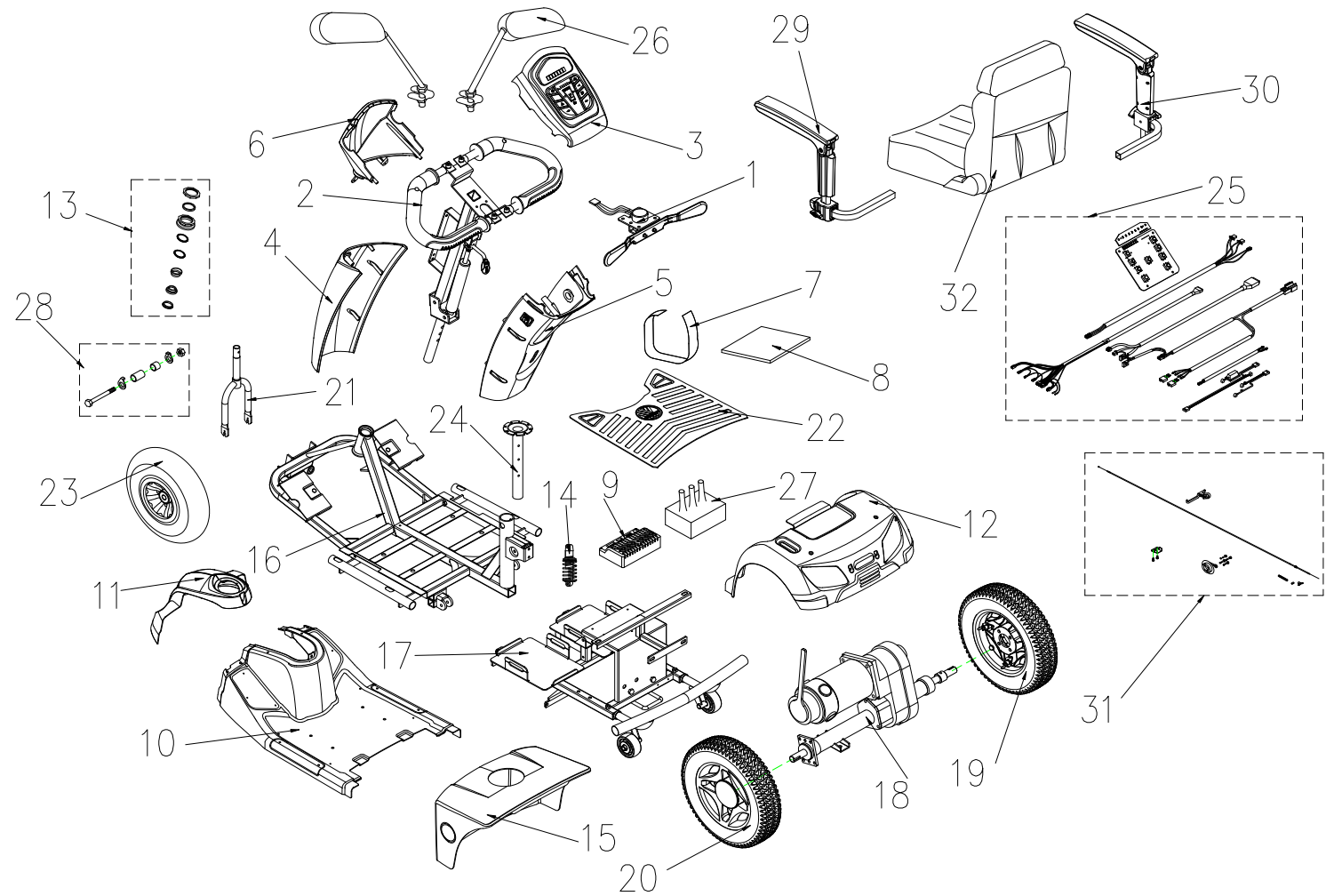


# CARPO 3/3D IPB

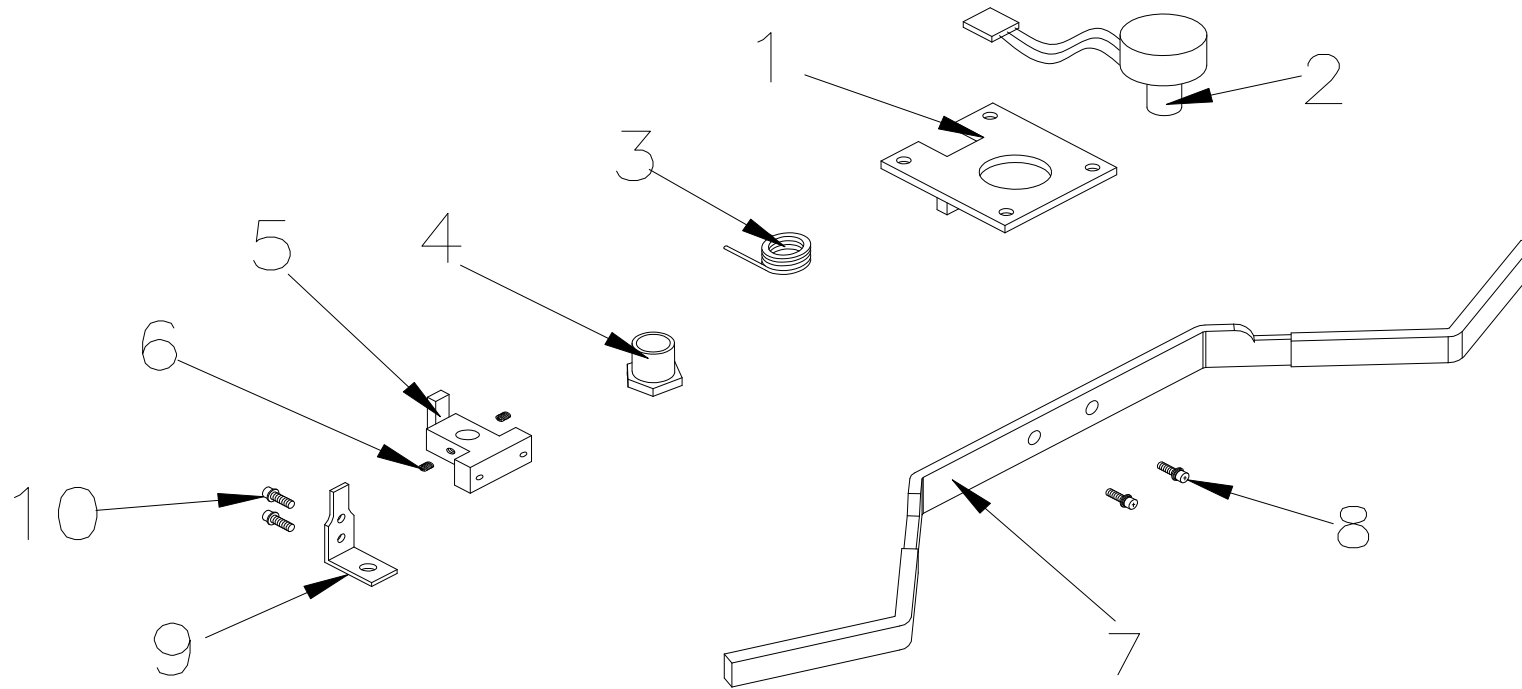


# CARPO 3/3D IPB

Fig&Index NO.	Parts No.	Parts Name	QTY.	Remark
1		SPEED DIAL ASS'Y	1SET	
2		TILLER ASS'Y	1SET	
3		COSOLE ASS'Y, LED	1SET	
3		COSOLE ASS'Y, LCD		
4		TILLER FRONT COVER, SILVER 71	1	
4		TILLER FRONT COVER, WHITE 91	1	
4		TILLER FRONT COVER , BROWN 82	1	
5		TILLER REAR COVER , SILVER 71	1SET	
5		TILLER REAR COVER , WHITE 91	1SET	
5		TILLER REAR COVER , BROWN 82	1SET	
6		TILLER HEAD COVER , SILVER 71	1SET	
6		TILLER HEAD COVER, WHITE 91	1SET	
6		TILLER HEAD COVER, BROWN 82	1SET	
7		VELCRO STRIP , BATTERY	1	
8		RUBBER PAD , BATTERY	1	
9		CONTROLLER , DYNAMIC 160A , FOR RHINO 2	1	AFTER P118276 USE
10		FOOT SHROUD ASS'Y , SILVER 71	1SET	
10		FOOT SHROUD ASS'Y , WHITE 91	1SET	
10		FOOT SHROUD ASS'Y , BROWN 82	1SET	
10		FOOT SHROUD ASS'Y , SILVER 71, 75AH	1SET	
10		FOOT SHROUD ASS'Y , WHITE 91, 75AH	1SET	
10		FOOT SHROUD ASS'Y , BROWN 82, 75AH	1SET	
11		FRONT SHROUD ASS'Y , SILVER 71 (CHAMPAGNE)	1SET	
11		FRONT SHROUD ASS'Y , WHITE 91	1SET	
11		FRONT SHROUD ASS'Y , BROWN 82	1SET	
12		REAR SHROUD ASS'Y , SILVER 71, W/O LABEL	1SET	
12		REAR SHROUD ASS'Y , WHITE 91, W/O LABEL	1SET	
12		REAR SHROUD ASS'Y , BROWN 82, W/O LABEL	1SET	
13		REGULAR BEARING BALL SET	1SET	
14		ABSORBER , 750LBS	1	
15		BATTERY SHROUD ASS'Y, BLACK 61 , W/O LABEL, 50AH	1SET	

# CARPO 3/3D IPB

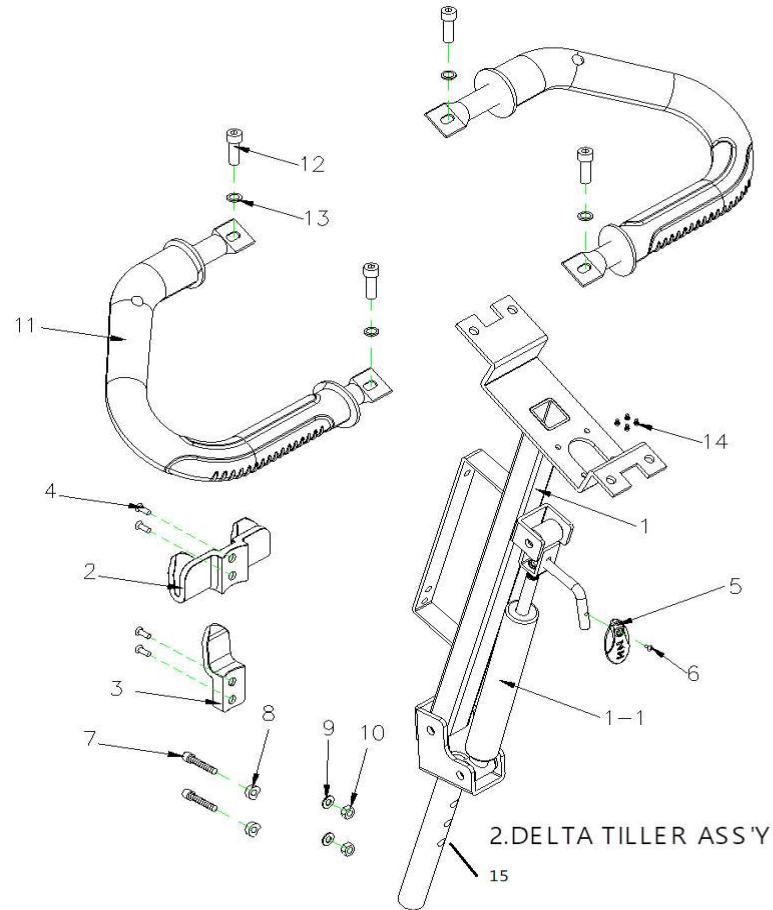
15	BATTERY SHROUD ASS'Y, BLACK 61 , W/O LABEL, 75AH	1SET	
16	FRAME,FRONT SECTION ASS'Y	1SET	
17	FRAME , REAR SECTION ASS'Y	1SET	
18	REAR DRIVE ASS'Y ( WITH BOLT / NUT ) , 750W5500RPM20 : 1 , RHINO 2 CONTROLLER USE	1SET	AFTER P118276 USE
18	REAR DRIVE ASS'Y ( WITH BOLT / NUT ) , 750W5500RPM22 : 1, RHINO 2 CONTROLLER USE	1SET	
19	REAR TIRE ASS'Y , BLACK , R	1SET	
20	REAR TIRE ASS'Y,BLACK, L	1SET	
21	FRONT FORK ASS'Y	1SET	
21	FRONT FORK ASS'Y, SUSPENSION VERSION	1SET	
22	RUBBER CARPET, for 50AH	1	
22	RUBBER CARPET, for 75AH	1	
23	FRONT TIRE ASS'Y 400-4 C154-1 BLACK	1SET	
24	SEAT POST	1	
25	WIRE HARNESS ASS'Y for RHINO 2 160A	1SET	AFTER P118276 USE
25	WIRE HARNESS ASS'Y for RHINO 2 160A /LCD SYSTEM	1SET	
25	WIRE HARNESS ASS'Y, FRONT TO REAR, for RHINO 2 160A	1SET	AFTER P143401 USE
25	WIRE HARNESS ASS'Y, FRONT TO REAR, for RHINO 2 160A /LCD SYSTEM	1SET	AFTER P146800 USE
26	MIRROR COMP.	1SET	
27	COVER CONTROLLER , RHINO 2	1	AFTER P118276 USE
28	HEX FLANGE BOLT , M10xP1.5x160L	1SET	
28	HEX FLANGE BOLT , M10xP1.5x210L		ML3SB- LCD USE
29	ARMREST , ADJUSTABLE , L , W/I COVER	1	
30	ARMREST , ADJUSTABLE , R , W/I COVER	1	
31	BRAKE ASS'Y	1SET	
32	SEAT ASS'Y , TA-386C3	1SET	
34	ACCESSORIES		
35	LABEL ACCESSORIES		



1.SPEED DIAL ASS'Y

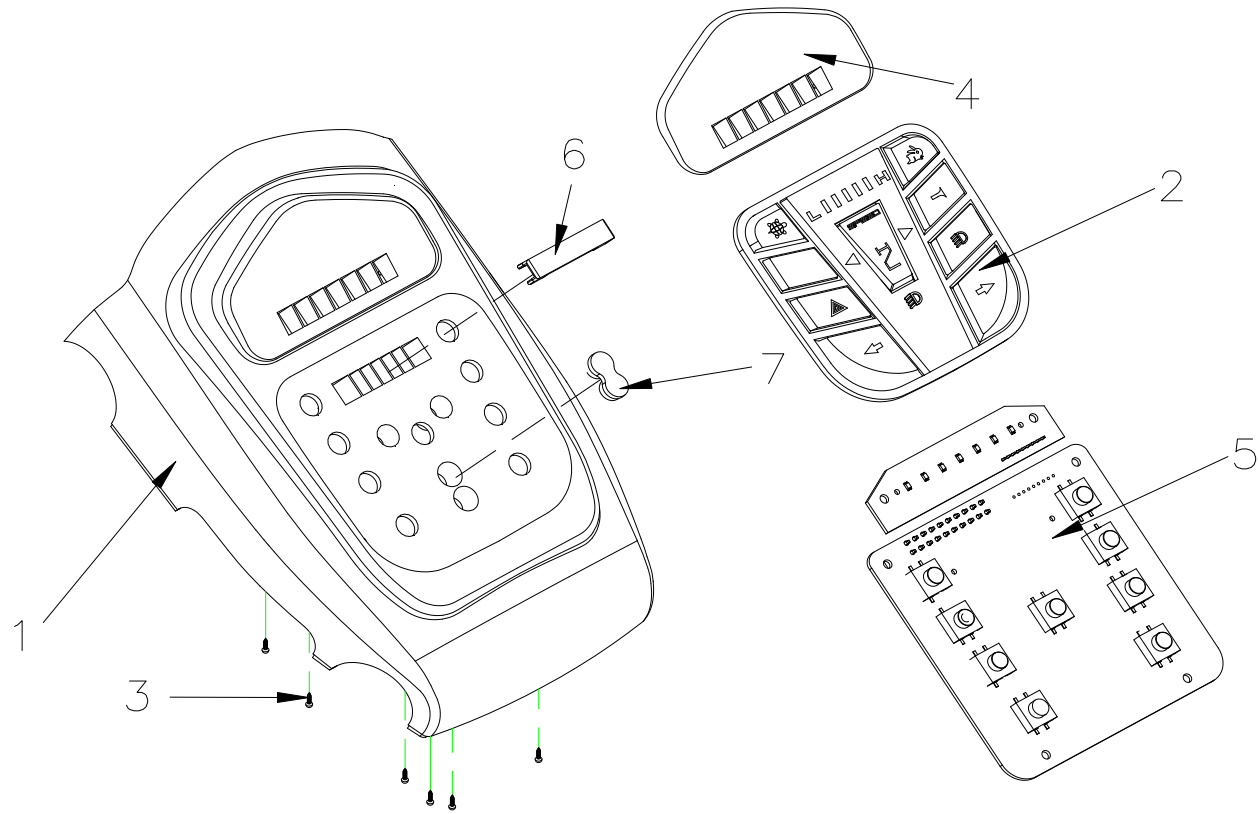
# CARPO 3/3D IPB

Fig&Index NO.	Parts No.	Parts Name	QTY.	Remark
<b>1</b>	<b>1904224</b>	<b>SPEED DIAL ASS'Y</b>	<b>1SET</b>	
1-1	1910534	FIX PLATE , SPEED LEVER	1	
1-2	1905662	VR ONLY	1	
1-3	1901881	TORSION SPRING , SPEED LEVER	1	
1-4		NUT	1	
1-5		HOLDER , SPEED LEVER	1	
1-6		LOCKING SCREW , 4x4	2	
1-7	1906357	SPEED LEVER	1	
1-8		BOLT,M4x12	2	
1-9		HOLDER , SPEED LEVER COMP.	1	
1-10		BOLT,M3x4L	2	



# CARPO 3/3D IPB

Fig&Index NO.	Parts No.	Parts Name	QTY.	Remark
<b>2</b>	<b>1908548</b>	<b>TILLER ASS'Y</b>	<b>1SET</b>	
2-1	1905268	TILLER	1	
2-1-1	1904289	OIL PRESSURE STICK , 45KG	1	
2-2	1904362	BASKET HOLDER,PAINTED,UPPER	1	
2-3	1909173	BASKET HOLDER,PAINTED,LOWER	1	
2-4	1904363	BOLT,M6x35L	4	
2-5	1904288	SHAFT	1	
2-6		CR ROUND HD SCREW , M4x8L	1	
2-7	2994915	HEX FLANGE BOLT,M8x40L	2	
2-8		WASHER	2	
2-9	1001556	WASHER,M8	2	
2-10	1007557	LUCK NUT,M8x1.25	1	
2-11	1904316	DELTA HAND GRIP	2	
2-12		BOLT M6x20L	4	
2-13		WASHER OD19xID7x1mm	4	
2-14		BOLT,M3x8L	4	
2-15	1904455	TILLER SHAFT	1	

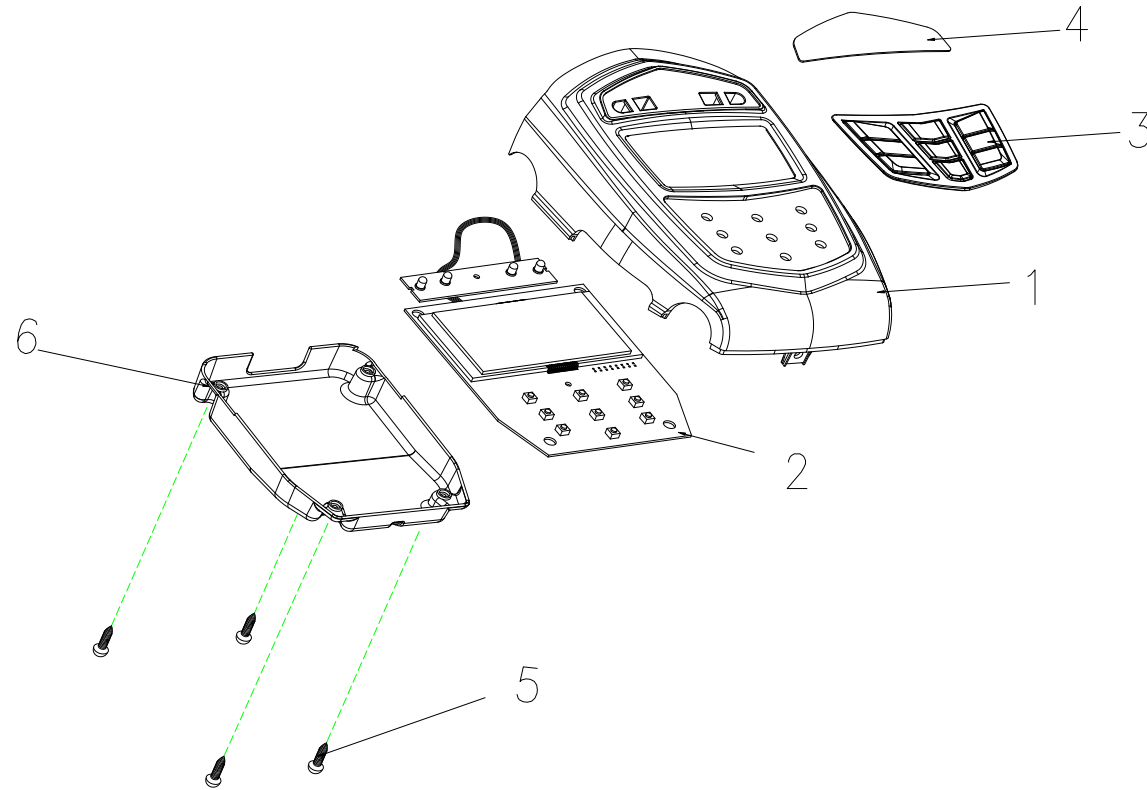


3. COVER , HANDLE BAR ASS'Y



# CARPO 3/3D IPB

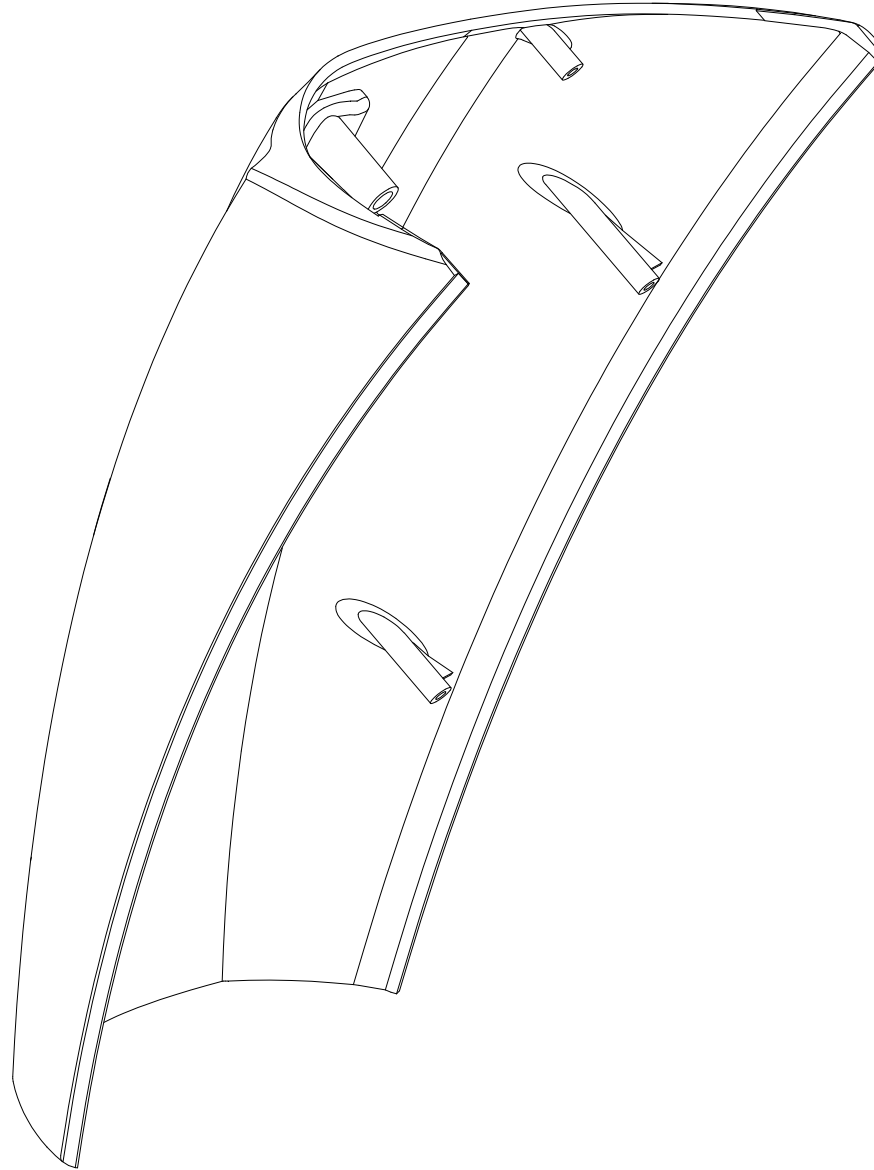
Fig&Index NO.	Parts No.	Parts Name	QTY.	Remark
<b>3</b>	<b>1904856</b>	<b>CONSOLE ASS'Y, LED</b>	<b>1SET</b>	
3-1	1905516	CONSOLE COVER	1	
3-2	1904318 = 1904369	CONTROL PANEL BUTTON	1	
3-3	2990309	BOLT M3x8L	6	
3-4	1904229	BATTERY INDICATOR, LABEL VERMEIREN	1	
3-5	1904230	CONTROL PANEL PC BOARD	1	
3-6		SPEED INDICATOR PAD	1	
3-7		FRONT/REAR LIGHT DISPLAY PAD	1	



3.COVER , HANDLE BAR ASS'Y

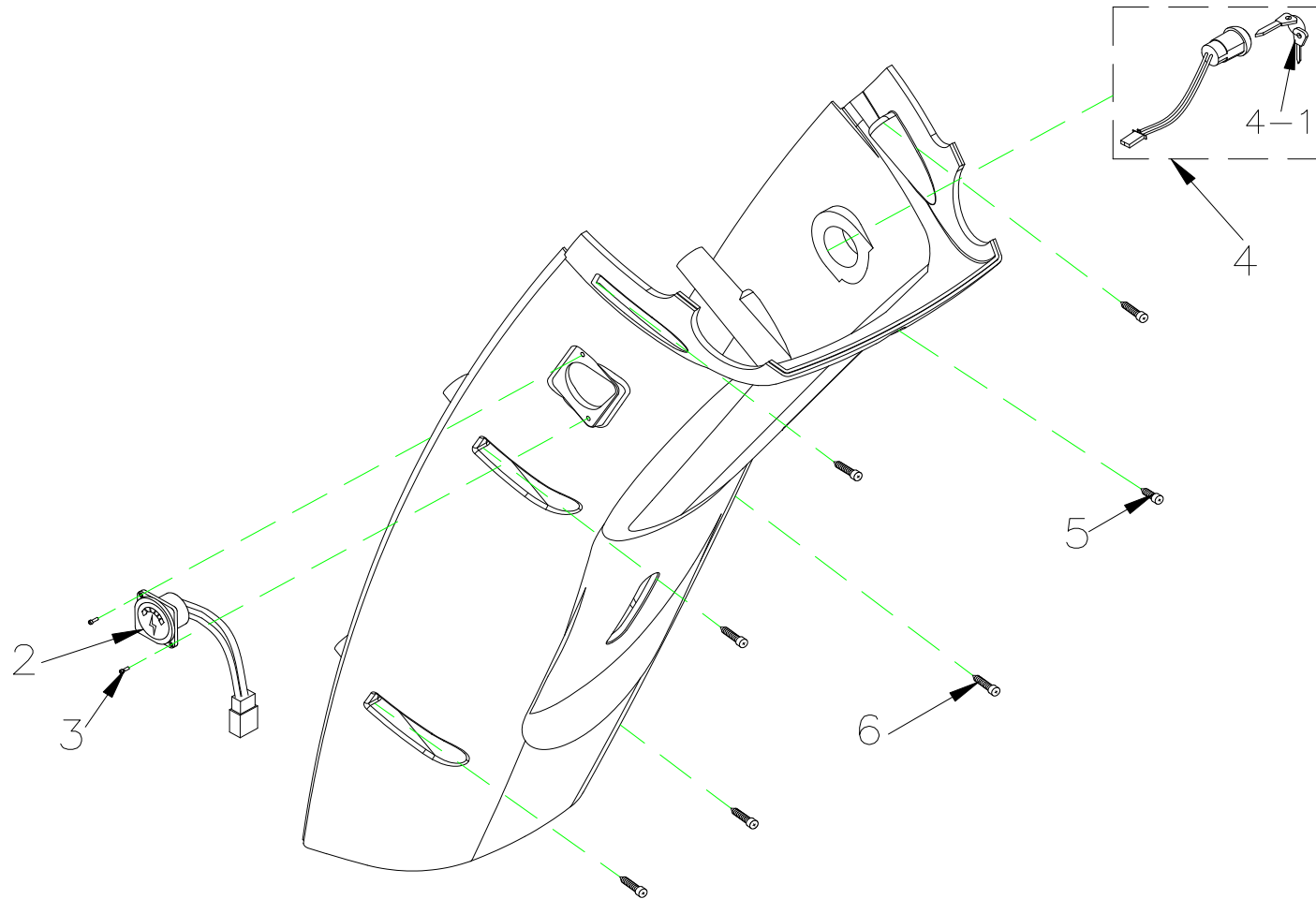
# CARPO 3/3D IPB

Fig&Index NO.	Parts No.	Parts Name	QTY.	Remark
<b>3</b>	<b>1908936</b>	<b>CONSOLE ASS'Y, LCD</b>	<b>1SET</b>	
3-1	1908754	CONSOLE COVER, LCD	1	
3-2	1908604	CONTROL PANEL PC BOARD	1	
3-3	1910236	CONTROL PANEL BUTTON	1	
3-4	1910237	PC BOARD COVER	1	
3-5		BOLT M3x8L	1	
3-6	1910563	WATER DEEP COVER	1	



4.FRONT COVER ASS'Y , HAND BAR

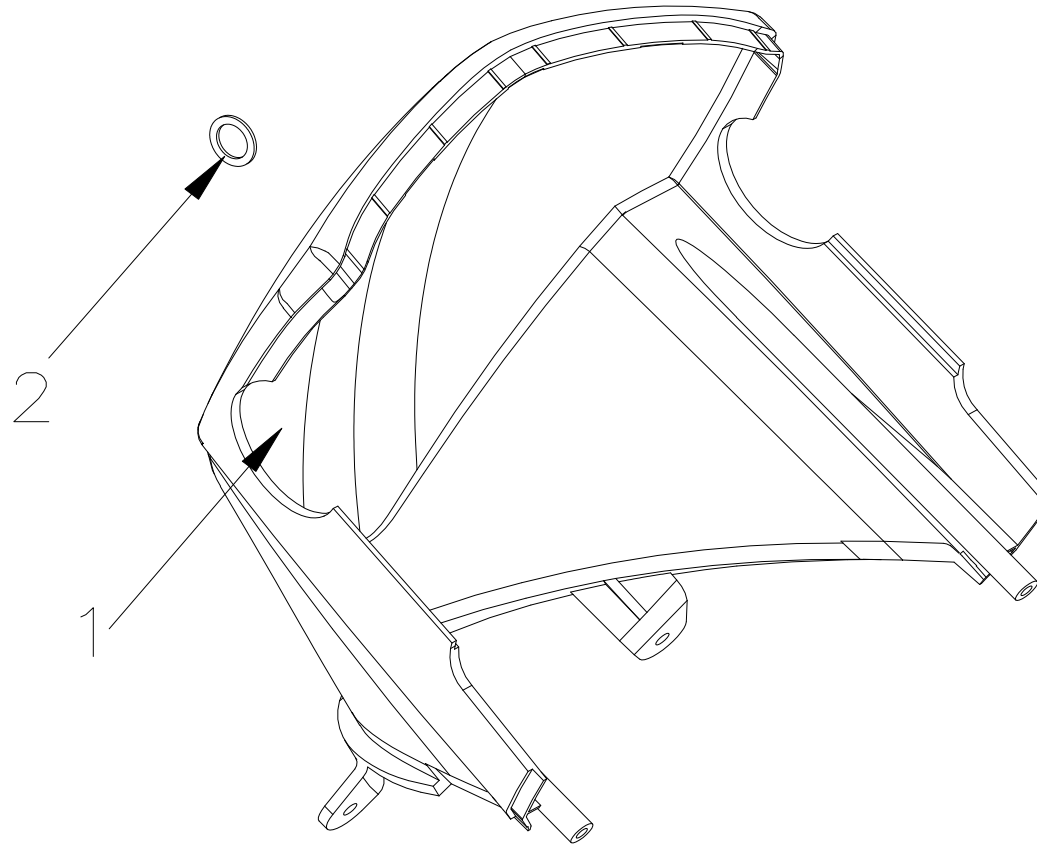
Fig&Index NO.	Parts No.	Parts Name	QTY.	Remark
4	1904321	TILLER FRONT COVER, SH 71	1	
4	1904322	TILLER FRONT COVER, WHITE 91	1	
4	1909910	TILLER FRONT COVER, BROWN 82	1	
4	1917162	TILLER FRONT COVER, GREY 77	1	



5.REAR COVER ASS'Y , HAND BAR

# CARPO 3/3D IPB

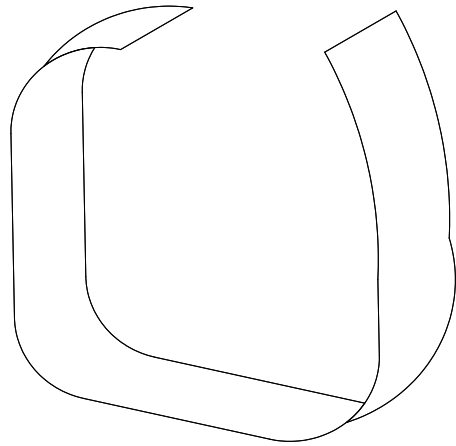
Fig&Index NO.	Parts No.	Parts Name	QTY.	Remark
<b>5</b>		<b>TILLER REAR COVER ASS'Y, SILVER 71</b>	<b>1SET</b>	
<b>5-1</b>	<b>1909909</b>	TILLER REAR COVER , BROWN 82		
5-1	1904325	TILLER REAR COVER , SHAMPAGNE 71	1	
5-1	1917163	TILLER REAR COVER , GREY 77	1	
5-1	1904324	TILLER REAR COVER , WHITE 91		
5-2	1904249	CHARGER SOCKET ASS'Y	1	
5-3	1907667	CR PAN HD SCREW , M3x15L	2	
5-4	1904250	IGNITION SWIITCH ASS'Y	1	
5-4-1	1904251	KEY	1	
5-5	1907505	BOLT, M4x12L	1	
5-6		BOLT,M4x20L	6	
<b>5</b>		<b>TILLER REAR COVER ASS'Y , WHITE 91</b>	<b>1SET</b>	
5-1		TILLER REAR COVER, WHITE 91	1	
5-2	1904249	CHARGER SOCKET ASS'Y	1	



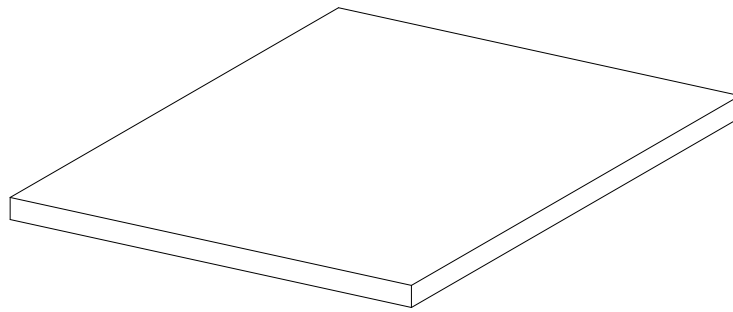
**6.COVER , HANDLE BAR , LOWER  
ASS'Y**



Fig&Index NO.	Parts No.	Parts Name	QTY.	Remark
<b>6</b>		<b>TILLER HEAD COVER ASS'Y, SILVER 71</b>	<b>1SET</b>	
6-1	1904338	TILLER HEAD COVER, SHAMPANGE 71	1	
6-2	1912151	PLUG	1	
6-1	1904339	TILLER HEAD COVER, WHITE 91	1	
6-1	1909333	TILLER HEAD COVER, BROWN 82	1	
6-1	1917164	TILLER HEAD COVER, GREY 77	1	

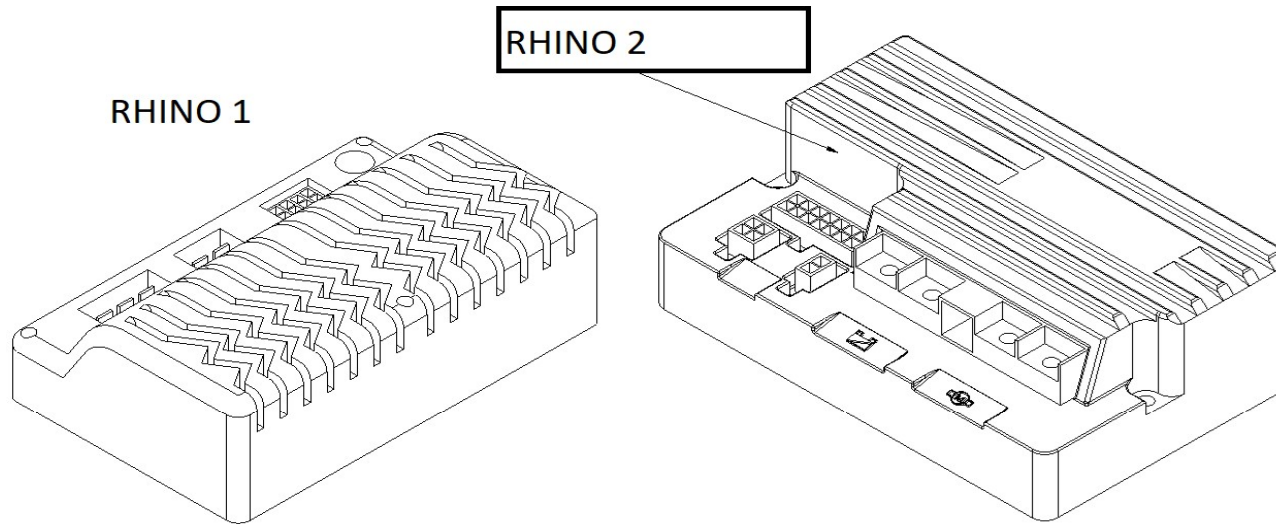


**7.VELCRO  
STRIP,BATTERY**



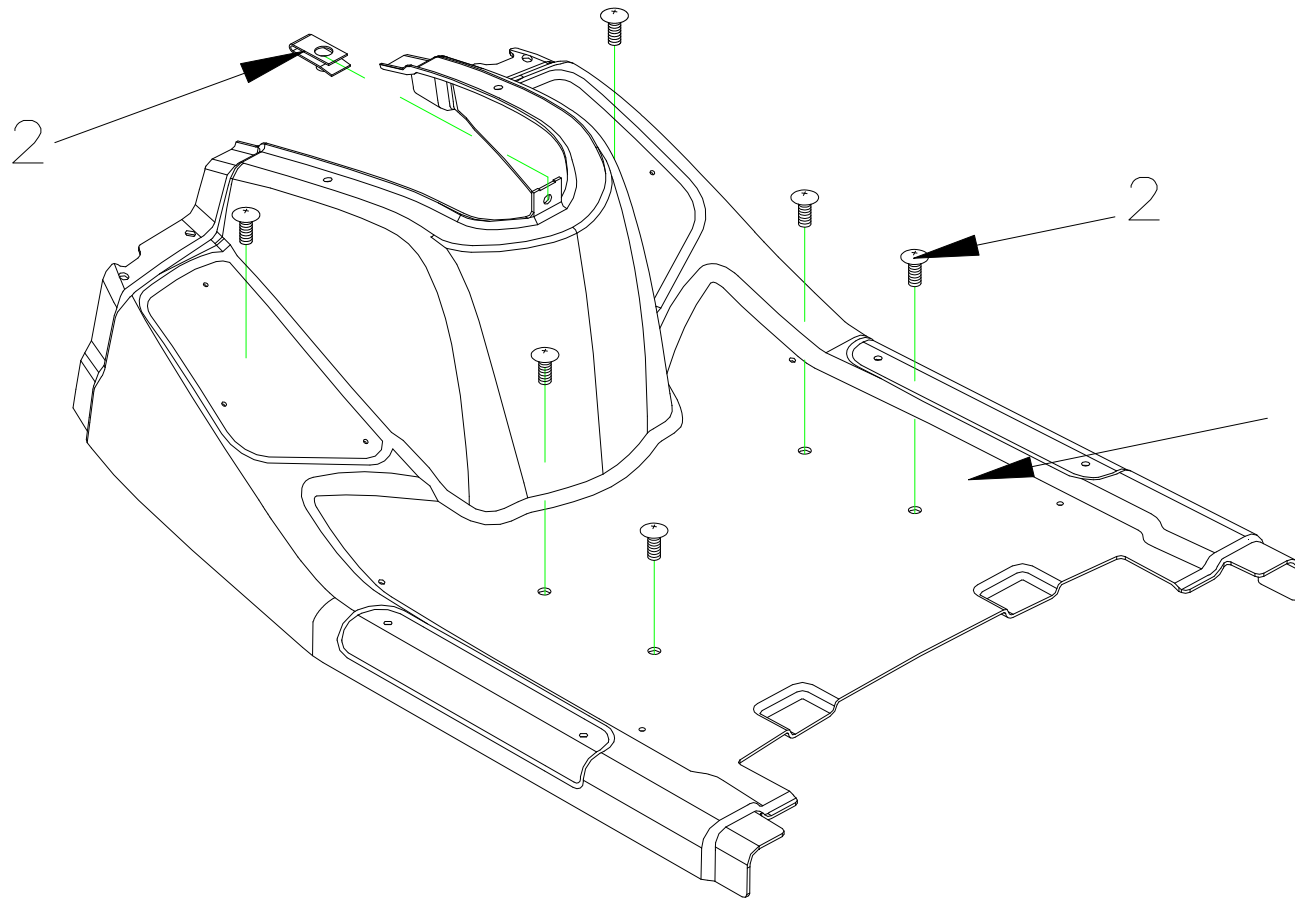
**8.RUBBER PAD,BATTERY**

Fig&Index NO.	Parts No.	Parts Name	QTY.	Remark
7	1907731	VELCRO STRIP , BATTERY	1	
8	1912420	RUBBER PAD , BATTERY	1	



# 9.CONTROLLER

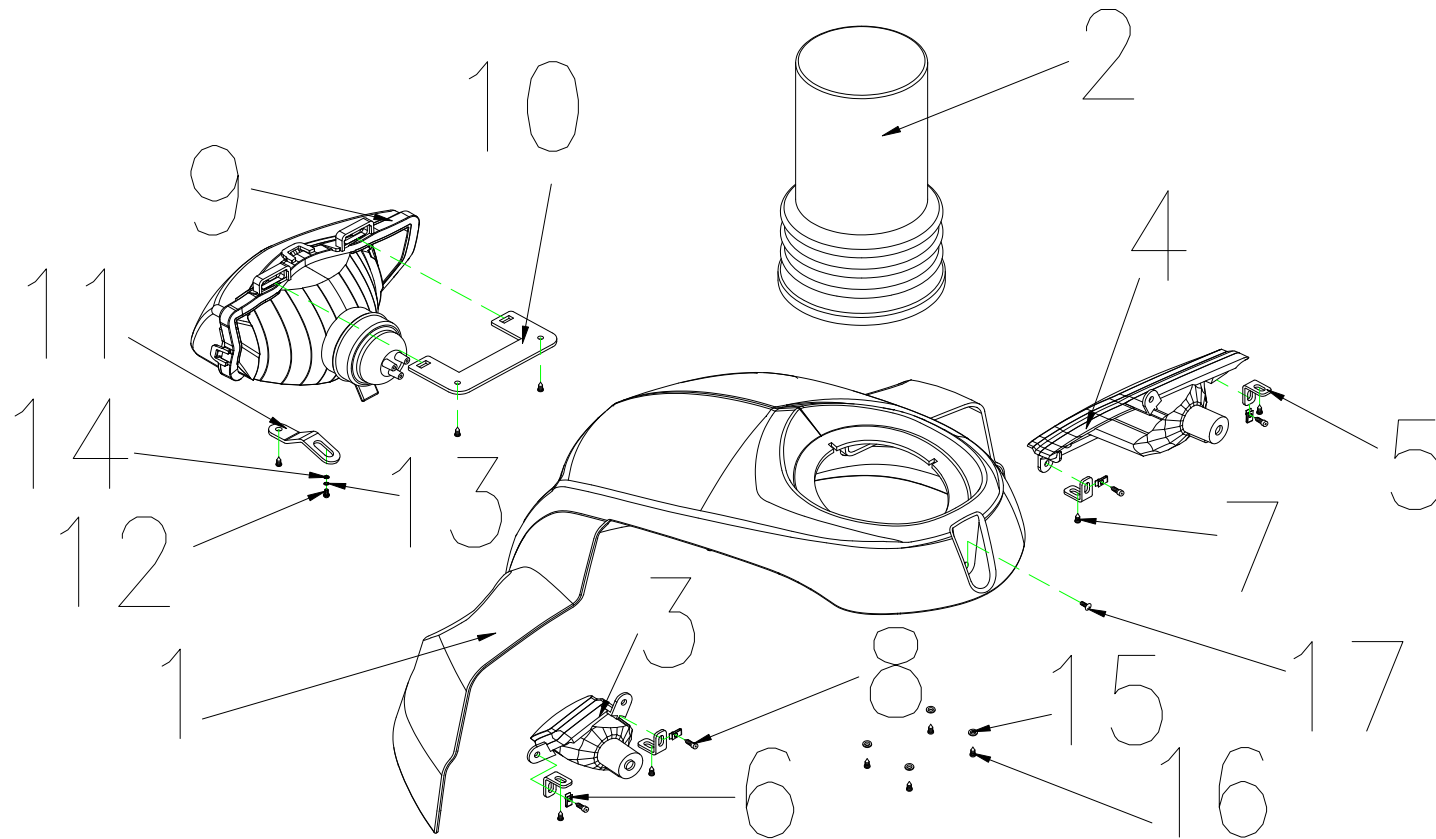
Fig&Index NO.	Parts No.	Parts Name	QTY.	Remark
9	1907982	CONTROLLER , DYNAMIC 160A , FOR RHINO 2 CONTROLLER , DYNAMIC 160A , FOR RHINO 1 ( no longer available )	1	



# 10.SHROUD ASS'Y

# CARPO 3/3D IPB

Fig&Index NO.	Parts No.	Parts Name	QTY.	Remark
		<b>75ah use</b>		
<b>10</b>	<b>1911010</b>	<b>FOOT SHROUD ASS'Y , SILVER 71</b>	<b>1SET</b>	
10-1		FOOT SHROUD , SILVER 71	1	
10-2		BOLT M6x20L	6	
10-3		U-TYPE SPRING NUT	1	
<b>10</b>	<b>1914396</b>	<b>FOOT SHROUD ASS'Y , WHITE 91</b>	<b>1SET</b>	
10-1		FOOT SHROUD , WHITE 91	1	
10-2		BOLT M6x20L	6	
10-3		U-TYPE SPRING NUT	1	
<b>10</b>	<b>1911244</b>	<b>FOOT SHROUD ASS'Y , BROWN 82</b>	<b>1SET</b>	
10-1		FOOT SHROUD , BROWN 82	1	
10-2		BOLT M6x20L	6	
10-2	1917250	FOOT SHROUD ASS'Y GREY 77		
10-3		U-TYPE SPRING NUT	1	

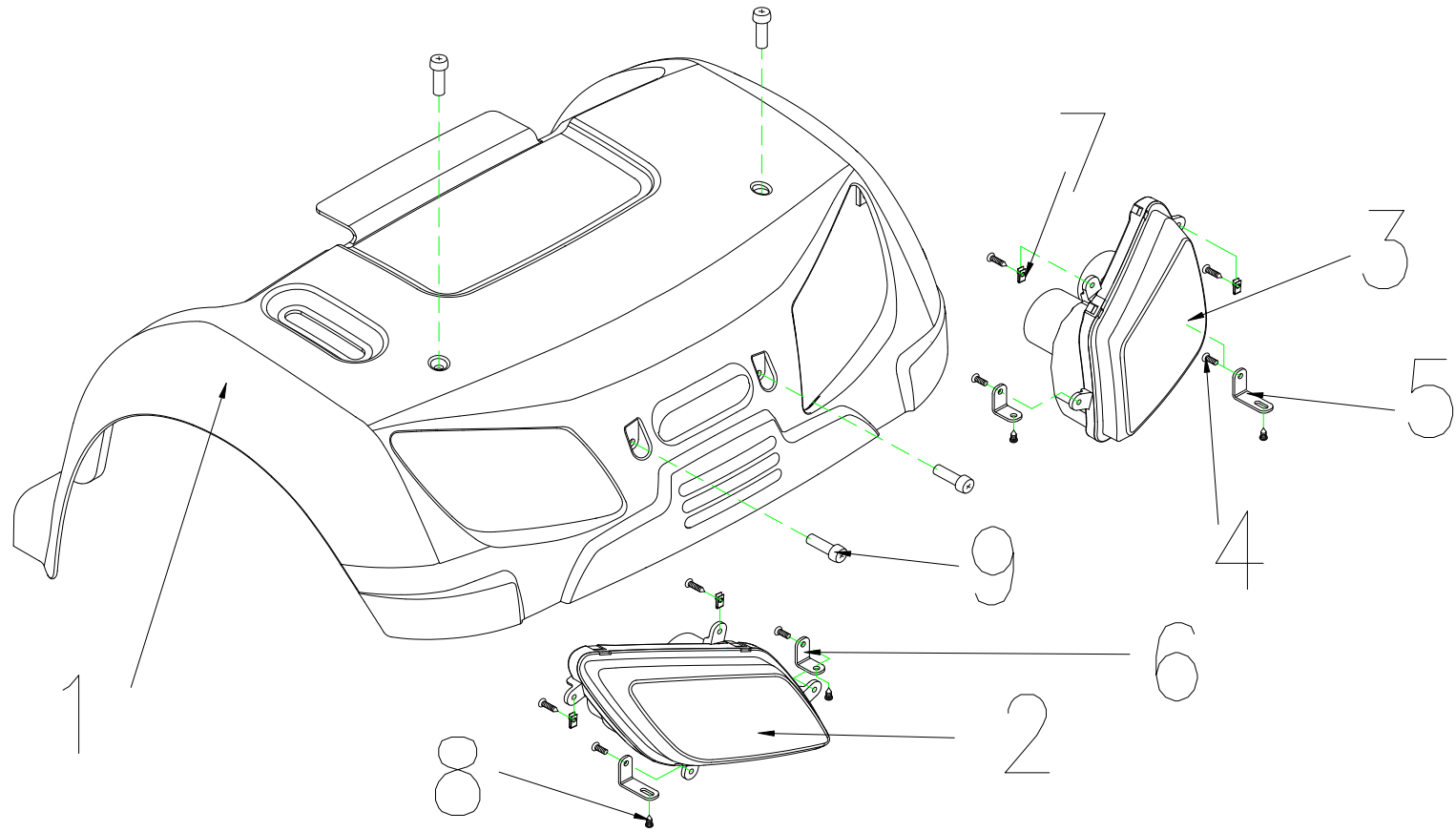


# 11.FRONT SHROUD ASS'Y

Fig&Index NO.	Parts No.	Parts Name	QTY.	Remark
<b>11</b>	<b>1905742</b>	<b>FRONT SHROUD ASS'Y , SILVER 71 (CHAMPAGNE)</b>	<b>1SET</b>	
11-1	1904252	FRONT SHROUD,SILVER 71	1	
11-2	1905198	RUBBER COVER , FRONT SHROUD	1	
11-3	1904261	FRONT SIGNAL LAMP , L	1	
11-4	1904262	FRONT SIGNAL LAMP , R	1	
11-5	1904274	FRONT SIGNAL LAMP BRACKET	4	
11-6	1907556	U-TYPE SPRING NUT	4	
11-7		BOLT M4x12L	9	
11-8		BOLT M4x20L	2	
11-9	1904263	HEADLIGHT	1	
11-10	1904264	HEADLIGHT BRACKET	1	
11-11	1904265	HEADLIGHT ADJUSTING PLATE	1	
11-12		BOLT M4x12L	1	
11-13		SPRING WASHER , M5	1	
11-14		WASHER , M6	1	
11-15	1905556	WASHER , 8mm	4	
11-16	1911086	BOLT M4x8L	4	
11-17	1907506	BOLT M6x20L	1	
<b>11</b>	<b>1906027</b>	<b>FRONT SHROUD ASS'Y , WHITE 91</b>	<b>1SET</b>	



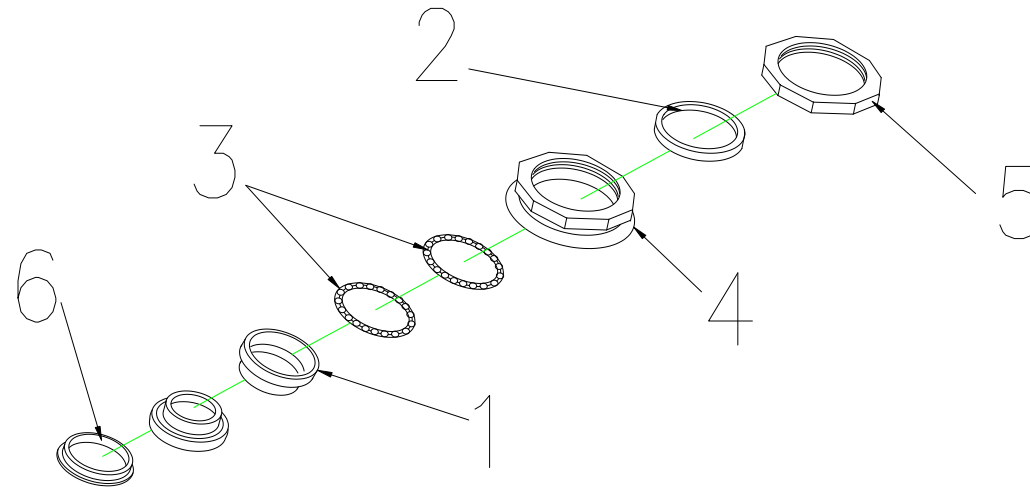
11	1910702	FRONT SHROUD ASS'Y , BROWN 82	1SET	
11	1917431	FRONT SHROUD ASS'Y , GREY 77	1SET	



12.REAR SHROUD ASS'Y

# CARPO 3/3D IPB

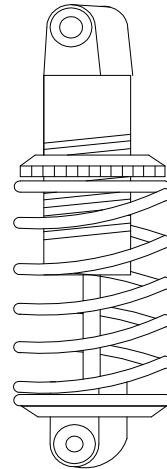
Fig&Index NO.	Parts No.	Parts Name	QTY.	Remark
<b>12</b>	<b>1906204</b>	<b>REAR SHROUD ASS'Y , SILVER 71, W/O LABEL</b>	<b>1SET</b>	
12-1	1904266	REAR SHROUD , SILVER 71	1	
12-1	1908787	REAR SHROUD , BROWN	1	
12-1	1917161	REAR SHROUD GREY 77		
12-2	1904268	REAR SIGNAL LAMP , L	1	
12-3	1904269	REAR SIGNAL LAMP , R	1	
12-4		BOLT M4x10L	4	
12-5	1908622	REAR SIGNAL LAMP BRACKET - LONG	4	
12-6	1908623	REAR SIGNAL LAMP BRACKET - SHORT	4	
12-7		U-TYPE SPRING NUT	4	
12-8		BOLT M4x12L	8	
12-9		BOLT M6x20L	4	
<b>12</b>	<b>1905082</b>	<b>REAR SHROUD ASS'Y , WHITE 91, W/O LABEL</b>	<b>1SET</b>	
<b>12</b>	<b>1909039</b>	<b>REAR SHROUD ASS'Y ,BROWN 82, W/O LABEL</b>	<b>1SET</b>	



### 13.REGULAR BEARING BALL SET

# CARPO 3/3D IPB

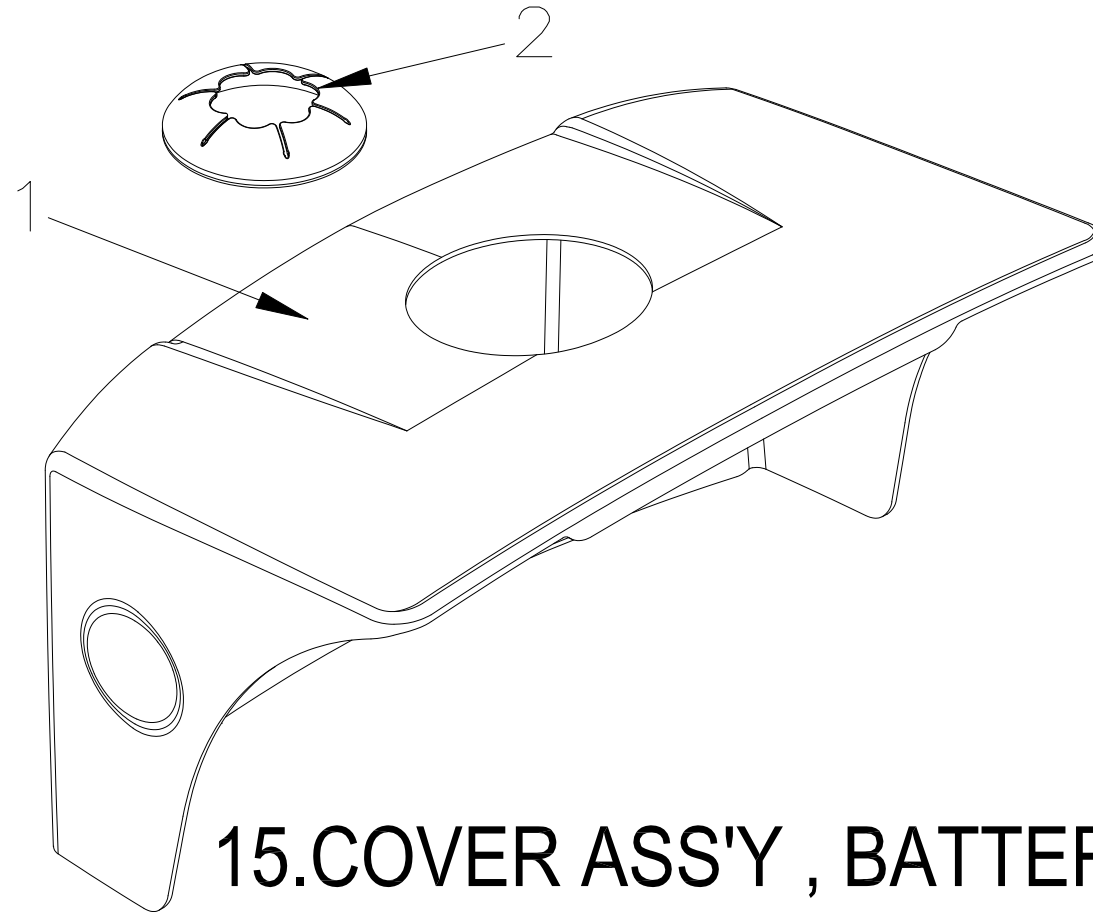
Fig&Index NO.	Parts No.	Parts Name	QTY.	Remark
<b>13</b>	<b>1904315</b>	<b>REGULAR BEARING BALL SET</b>	<b>1SET</b>	
13-1		CUP , UPPER	2	
13-2		COLLARLESS WASHER	1	
13-3		BEARING	2	
13-4		BEARING BUSH	1	
13-5	1909608	LOCKING NUT,BEARING	1	
13-6		BEARING CAGE	1	



**14.ABSORBER,750LBS**

# CARPO 3/3D IPB

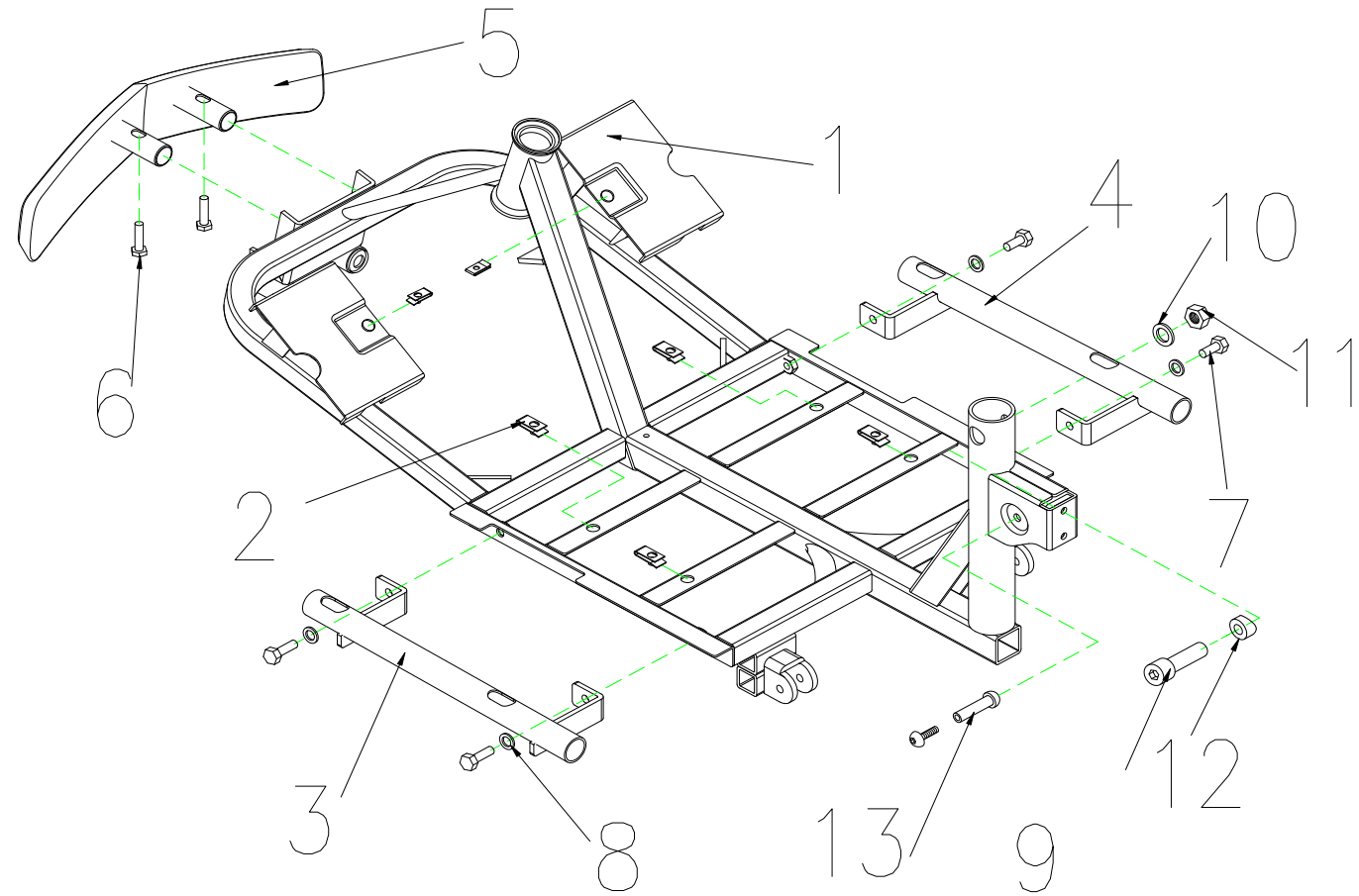
Fig&Index NO.	Parts No.	Parts Name	QTY.	Remark
14	1904225	ABSORBER , 750LBS	1	



**15.COVER ASS'Y , BATTERY**



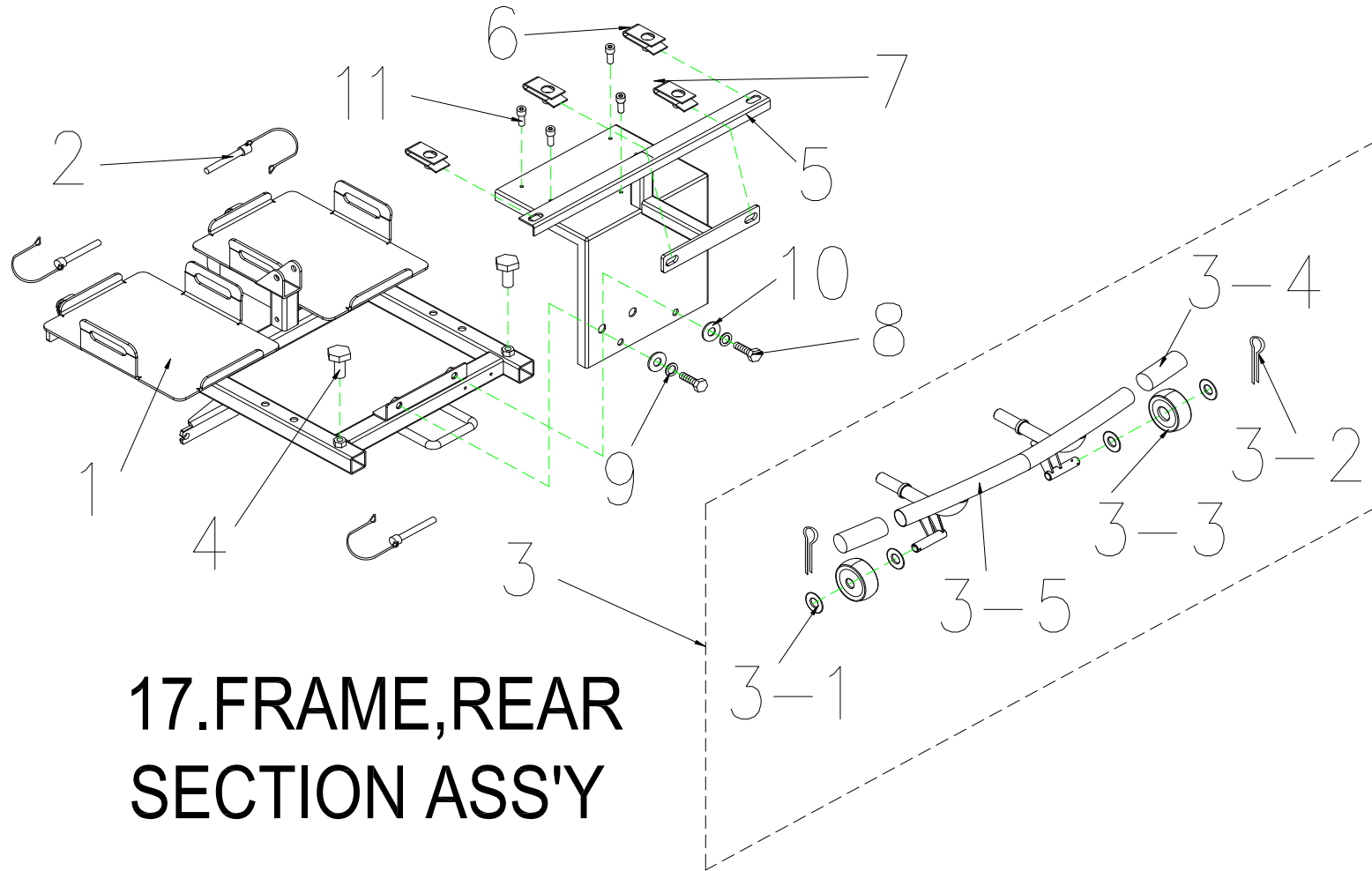
Fig&Index NO.	Parts No.	Parts Name	QTY.	Remark
<b>15</b>		<b>BATTERY SHROUD, BLACK 61, W/O LABEL, for 75AH</b>	<b>1SET</b>	
15-1	1912476	COVER BATTERY , BLACK 61 , 75AH USE	1	
15-2	1904390	RUBBER COVER , REAR SHROUD	1	



**16.FRAME,FRONT SECTION ASS'Y**

# CARPO 3/3D IPB

Fig&Index NO.	Parts No.	Parts Name	QTY.	Remark
<b>16</b>	<b>1911011</b>	<b>FRAME,FRONT SECTION ASS'Y</b>	<b>1SET</b>	
16-1	1904717	FRAME,FRONT SECTION	1	
16-2		U-TYPE SPRING NUT	6	
16-3		HOLDER ,FOOTREST , L	1	
16-4		HOLDER ,FOOTREST , R	1	
16-5	1905743	FRONT BUMPER ASS'Y	1	
16-6		CR ROUND HD SCREW ,M8x30L	2	
16-7		CR ROUND HD SCREW ,M8x20L	4	
16-8		SPRING WASHER,5/16	4	
16-9		BOLT , M10X55L	1	
16-10		WASHER , M10	1	
16-11		LOCK NUT , M10XP1.5	1	
16-12		WASHER,ψ10Xψ19X3.5L	1	
16-13		HEX BOLT , M8xP1.25x30L	1	

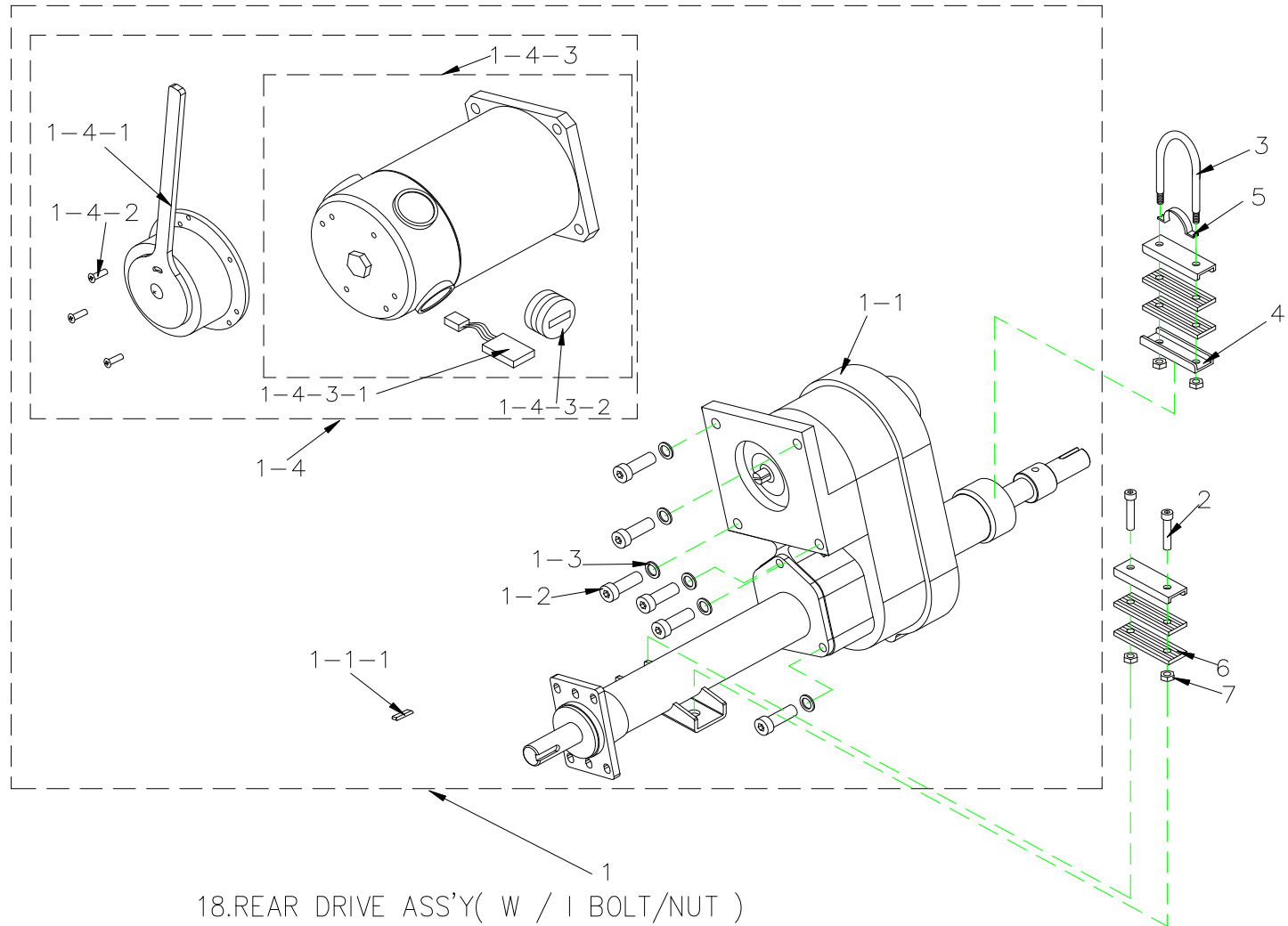


**17.FRAME,REAR  
SECTION ASS'Y**

# CARPO 3/3D IPB

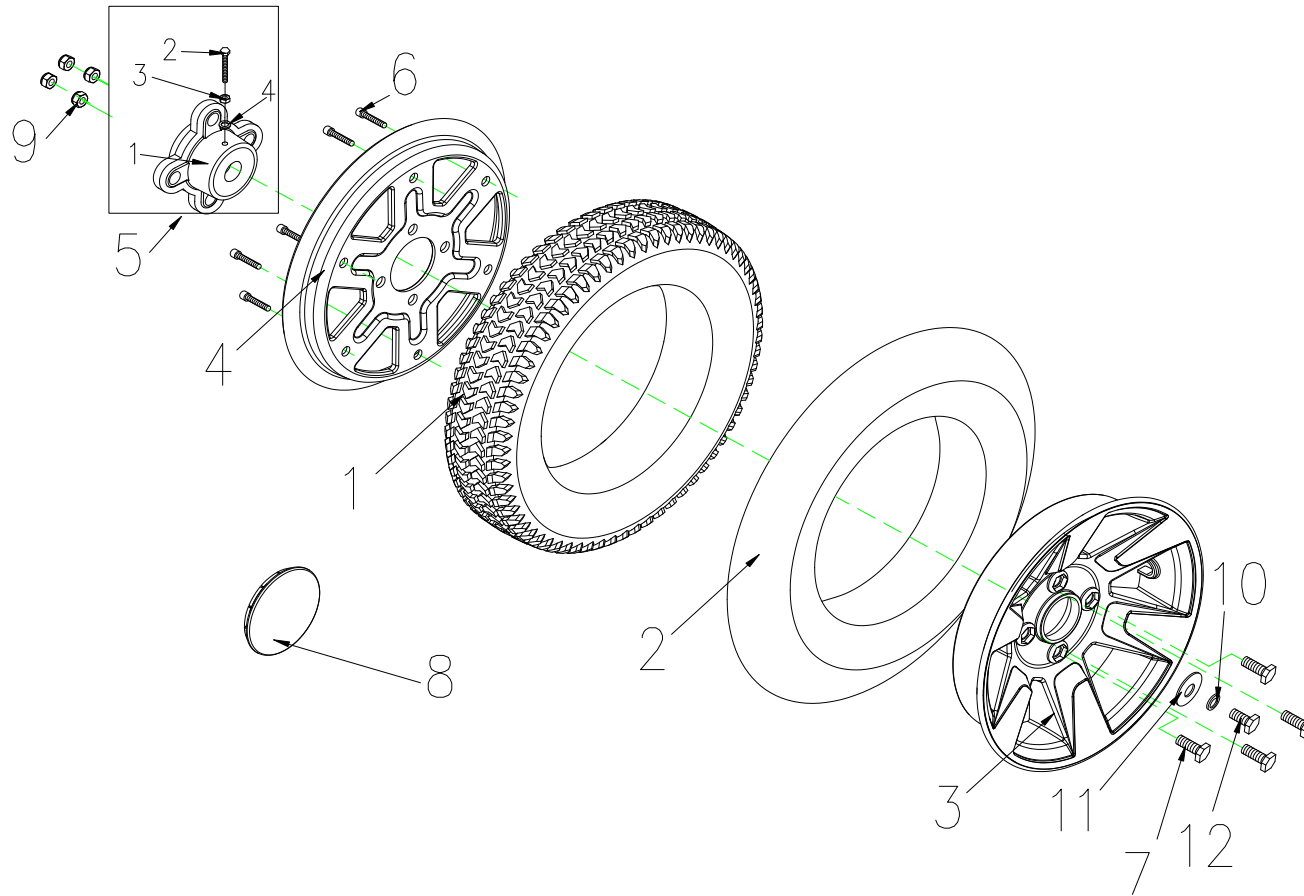
Fig&Index NO.	Parts No.	Parts Name	QTY.	Remark
<b>17</b>		<b>FRAME , REAR SECTION ASS'Y</b>	<b>1SET</b>	
17-1	1905559	FRAME , REAR SECTION	1	
17-2	1908632	LOCK PIN , Φ8x41L	3	2 FOR FRAME, 1 FOR SUSPENSION
17-3	1906012	REAR BUMPER ASS'Y	1	
17-3-1	1911290	PLASTIC WASHERψ40xψ17.5x2T	4	
17-3-2		R TYPE PIN	2	
17-3-3	1905008	ANT-TIP WHEELS	2	
17-3-4	1909521	BUMPER,GRIP	2	
17-3-5	1905560	REAR BUMPER	1	
17-4		HEX FLANGE BOLT ,M8x30L	2	FOR REAR BUMPER
17-5	1909152	REAR BRACKET , W/I CONTROLLER HOLDER	1	
17-6		U-TYPE SPRING NUT	2	
17-7	1911840	U-TYPE SPRING NUT	2	
17-8		HEX FLANGE BOLT ,M8x20L	2	
17-9		SPRIG WASHER 5/16	2	
17-10		WASHER 5/16	2	
17-11		BOLT M4x30L	3	FOR CONTROLLER

# CARPO 3/3D IPB



# CARPO 3/3D IPB

Fig&Index NO.	Parts No.	Parts Name	QTY.	Remark
<b>18</b>		<b>REAR DRIVE ASS'Y ( WITH BOLT / NUT ) ,750W5500RPM20 : 1 , RHINO 2 CONTROLLER USE</b>	<b>1SET</b>	AFTER P118276 USE
18-1	1904830	REAR DRIVE ASS'Y ( WITHOUT BOLT / NUT ) , 750W5500RPM20 : 1, RHINO 2 CONTROLLER USE	1	
18-1-1	1904271	TRANSAXLE ONLY ( WITHOUT MOTOR )	1	
18-1-1-1		PIN,5x5x35	2	
<b>18</b>	<b>1904930</b>	<b>REAR DRIVE ASS'Y ( WITH BOLT / NUT ) ,750W5500RPM22 : 1, RHINO 2 CONTROLLER USE</b>	<b>1SET</b>	
18-1		REAR DRIVE ASS'Y ( WITHOUT BOLT / NUT ) , 750W5500RPM22 : 1, RHINO 2 CONTROLLER USE	1	
18-1-1	1905024	TRANSAXLE ONLY ( WITHOUT MOTOR )	1	
18-1-1-1		PIN,5x5x35	2	
18-1-2	1904271	BOLT , M8x20L	4	
18-1-3	1907794	SPRING WASHER , 5/16	4	
18-1-4	1908012	MOTOR ( WITH BRAKE ) , 750W5500RPM,RHINO 2 USE	1	
18-1-4-1	1905746	ELECTRO-MAGNETIC BRAKE , 100kgf-cm	1	
18-1-4-2		BOLT , M4x12	3	
18-1-4-3	1905022	MOTOR ONLY , 750W5500RPM	1	
18-1-4-3-1	1904275	CARBON BRUSH , 7x17mm	4	
18-1-4-3-2	1904276	CARBON BRUSH CAP , 7x17mm	4	
18-2	1910810	BOLT,M8x50	2	
18-3	1910809	U-TYPE BOLT , M8x1.25x98Hx15mm	1	
18-4	1910808	U-TYPE PLATE , MOTOR	3	
18-5	1910811	ARCH TYPE PLATE , MOTOR	1	
18-6	1910812	RUBBER DAMPER PAD , MOTOR	4	
18-7		LOCK NUT, M8x1.25	4	

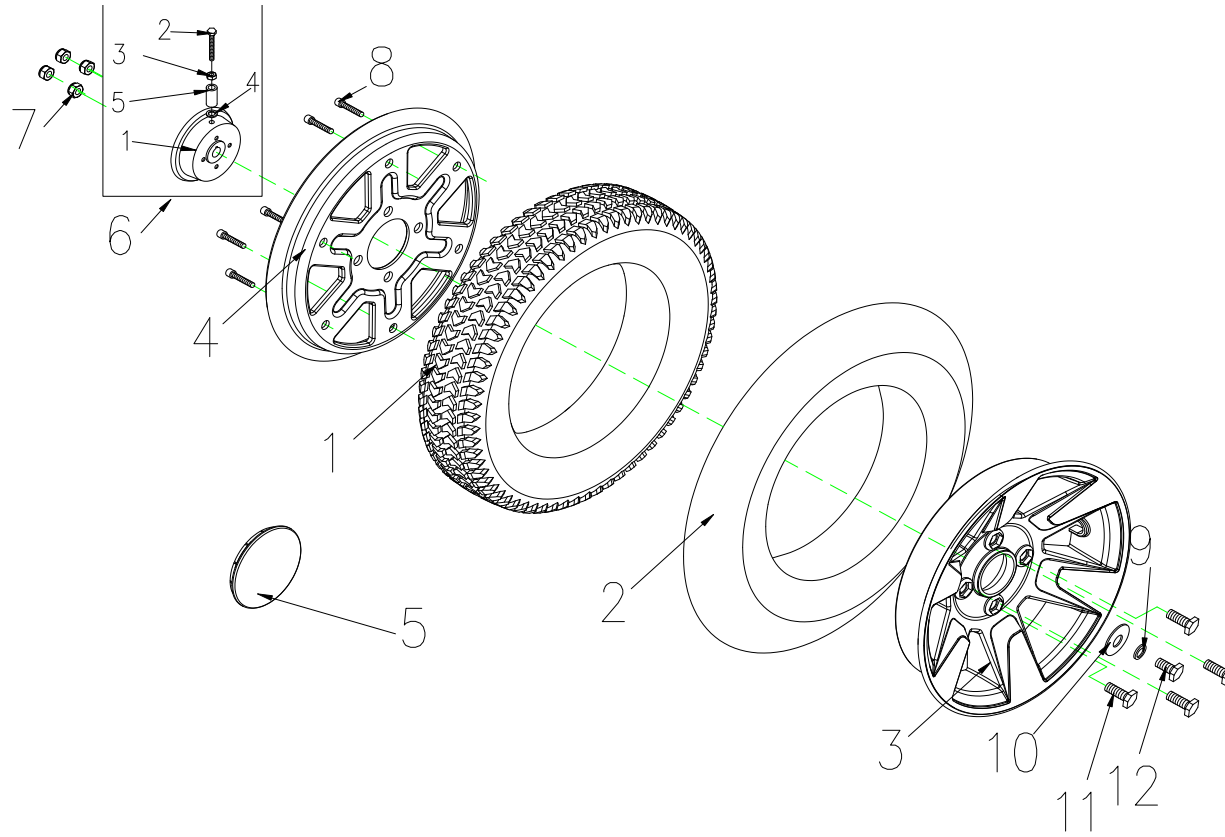


19. REAR TIRE ASS'Y , R



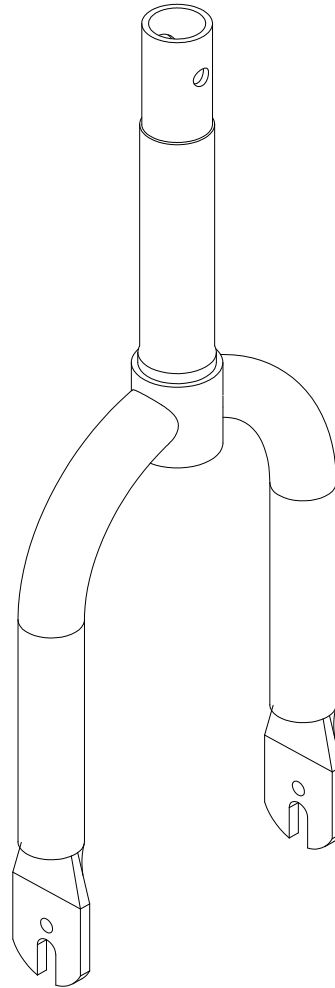
# CARPO 3/3D IPB

Fig&Index NO.	Parts No.	Parts Name	QTY.	Remark
<b>19</b>	<b>1908295</b>	<b>REAR TIRE ASS'Y , BLACK , R</b>	<b>1SET</b>	
19-1	1904287	TIRE , BLACK , 3.0-8C248-16	1	
19-2	1904286	INNER TUBE , 3.0-8	1	
19-3	1908462	WHEEL RIM , ALUNINUM , 8"	1	
19-4	1908461	WHEEL RIM , IRON , 8"	1	
19-5		AXLE COLLAR,REAR WHEEL , ASS'Y	1	
19-5-1	1909778	AXLE COLLAR,REAR WHEEL	1	內外鋁組合
19-5-2		BOLT M8X25L	1	鋁及軸套
19-5-3		NUT M8X13	1	
19-5-4		SPRING WASHER	1	
19-6		BOLT M6x30L	6	
19-7		HEXAGONAL BOLT M8x1.25x25L	4	
19-8	1909516	WHEEL COVER	1	
19-9		LOCK NUT , M8x1.25	4	
19-10	1907794	SPRING WASHER , 5/16	1	
19-11	1906451	WASHER , 5/16	1	
19-12	1907793	HEXAGONAL BOLT M8x1.25x20L	1	



20.REAR TIRE ASS'Y , L

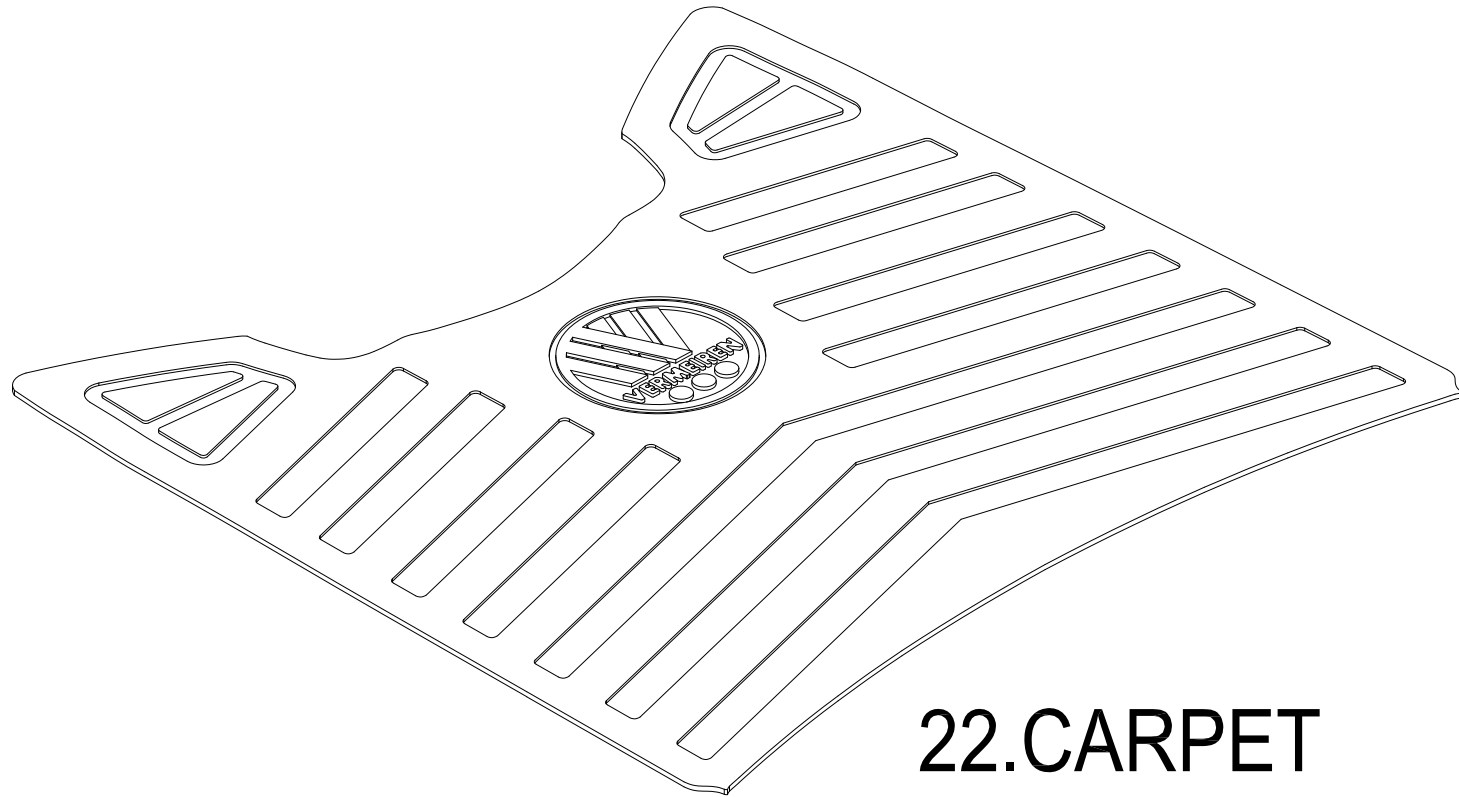
Fig&Index NO.	Parts No.	Parts Name	QTY.	Remark
<b>20</b>	<b>1908296</b>	<b>REAR TIRE ASS'Y,BLACK, L</b>	<b>1SET</b>	
20-1	1904287	TIRE , BLACK , 3.0-8C248-16	1	
20-2	1904286	INNER TUBE , 3.0-8	1	
20-3	1908462	WHEEL RIM , ALUNINUM , 8"	1	
20-4	1908461	WHEEL RIM , IRON , 8"	1	
20-5	1909516	WHEEL COVER	1	
20-6		WHEEL RIM , STEEL , ASS'Y	1	
20-6-1	1906570	WHEEL RIM , STEEL	1	
20-6-2		BOLT M8X65L	1	
20-6-3		NUT M8X13	1	
20-6-4		SPRING WASHER	1	
20-6-5		SPACER	1	
20-7		LOCK NUT , M8x1.25	4	
20-8		BOLT M6x30L	6	
20-9	1907794	SPRING WASHER , M8	1	
20-10	1906451	WASHER	1	
20-11		BOLT , M8x20L	4	
20-12		BOLT , M8x20L	1	



**21.FRONT FORK ASS'Y**

# CARPO 3/3D IPB

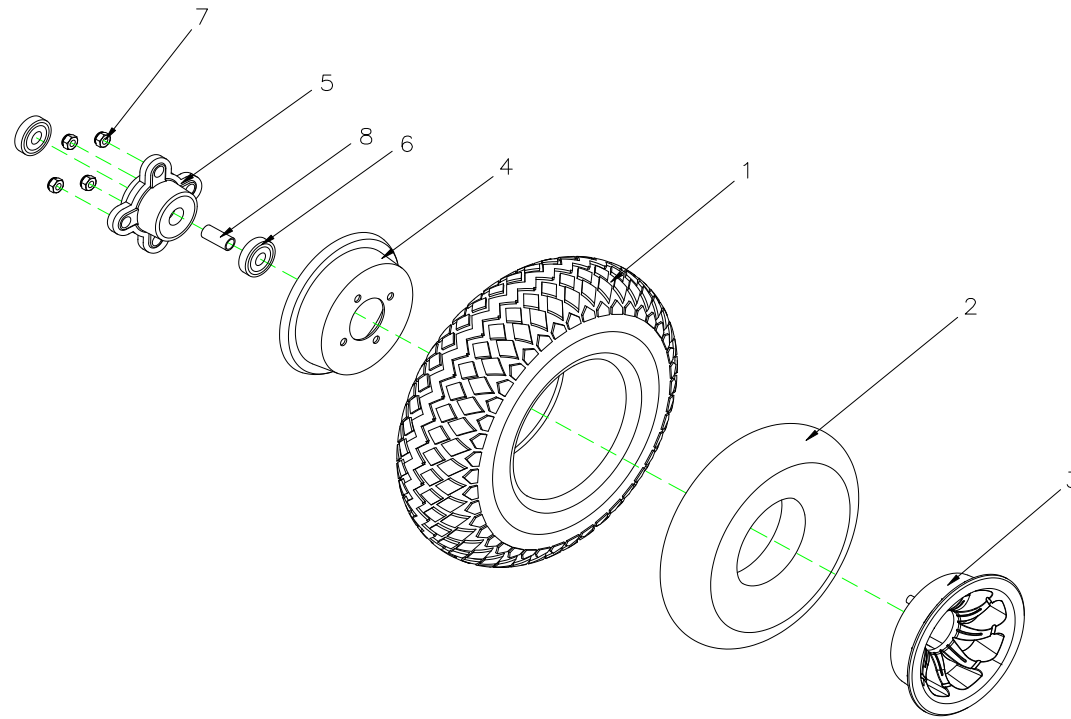
Fig&Index NO.	Parts No.	Parts Name	QTY.	Remark
21	1904226	FRONT FORK ASS'Y	1SET	



**22.CARPET**

# CARPO 3/3D IPB

Fig&Index NO.	Parts No.	Parts Name	QTY.	Remark
22	1911339	RUBBER CARPET, for 75AH	1	

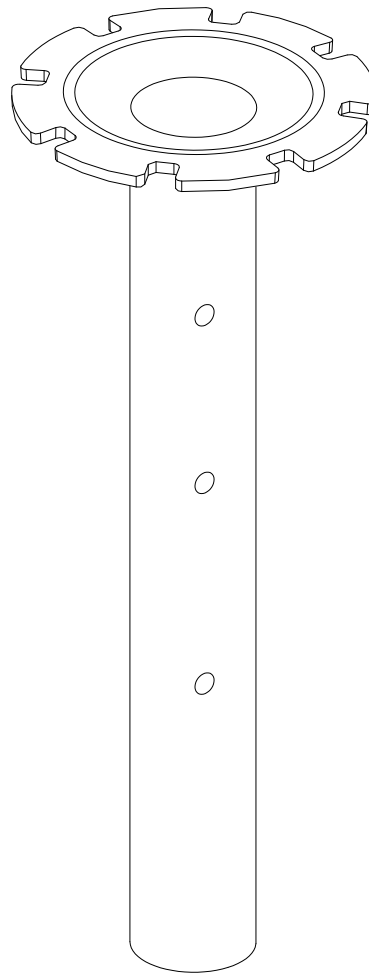


23.FRONT TIRE ASS'Y

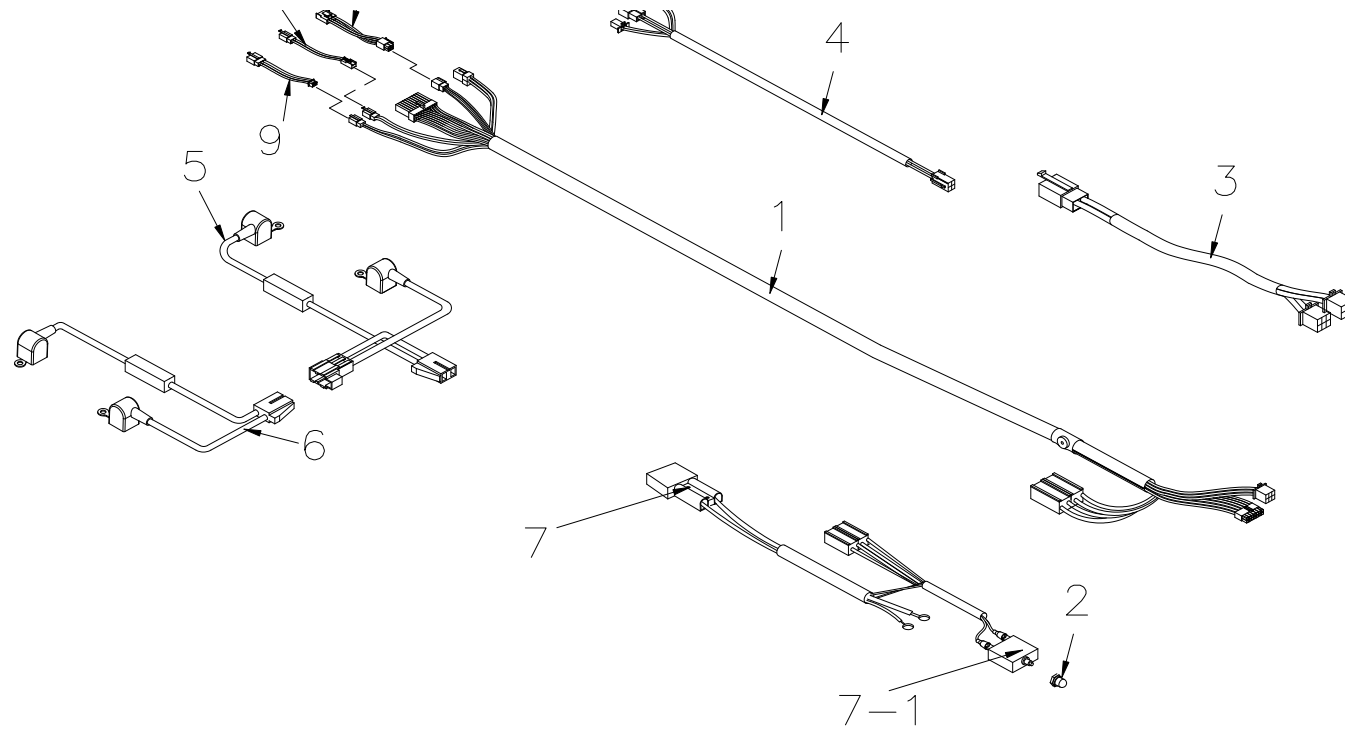


# CARPO 3/3D IPB

Fig&Index NO.	Parts No.	Parts Name	QTY.	Remark
<b>23</b>	<b>1904280</b>	<b>FRONT TIRE ASS'Y 400-4 C154-1 BLACK</b>	<b>1SET</b>	
23-1	1904285	TIRE , 400-4 C154-1 BLACK	1	
23-2	1904284	INNER TUBE 400-4-87	1	
23-3	1905594	WHEEL RIM , ALUNINUM , 4"	1	
23-4	1907125	WHEEL RIM , STEEL , 4"	1	
23-5	1905467	AXLE COLLAR,FRONT WHEEL	1	
23-6		BEARING	2	
23-7		LOCK NUT,M8x1.25	4	
23-8		SPACER	1	
23-9	1906451			



# 24. SEAT POST



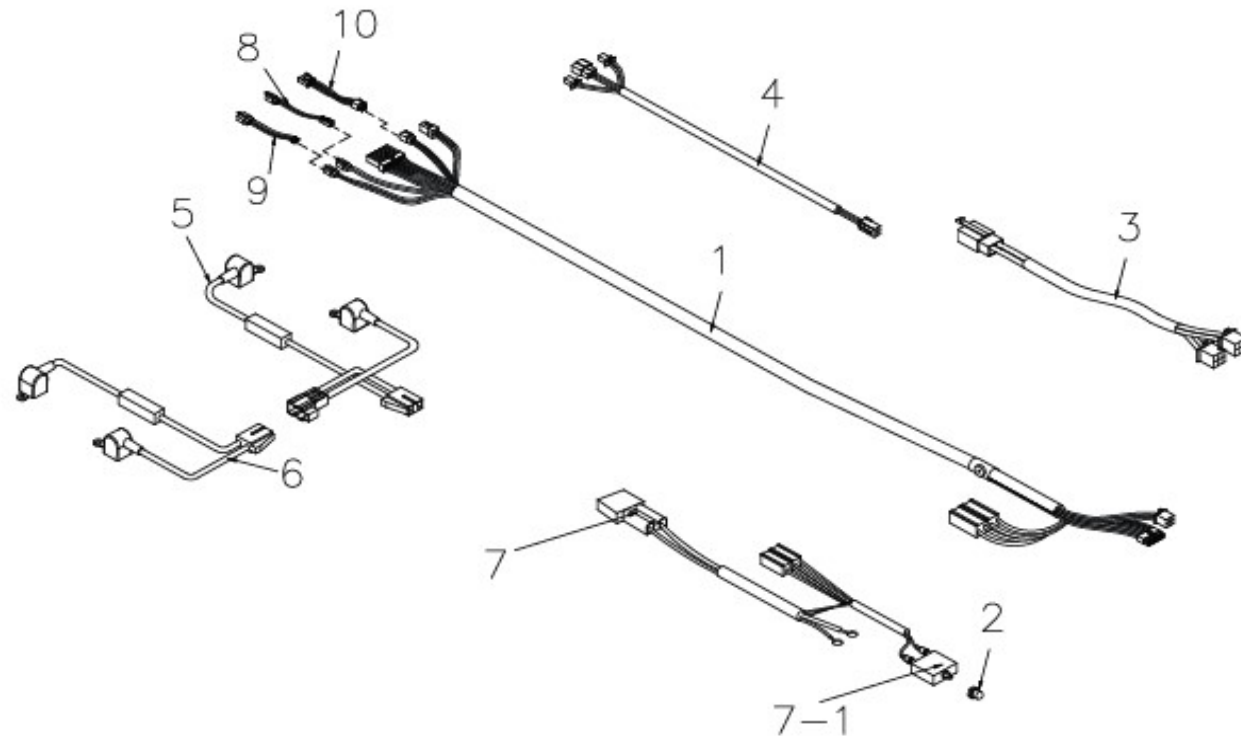
25. WINE HARNESS ASS'Y

# CARPO 3/3D IPB

Fig&Index NO.	Parts No.	Parts Name	QTY.	Remark
24	1904313	SEAT POST	1	

# CARPO 3/3D IPB

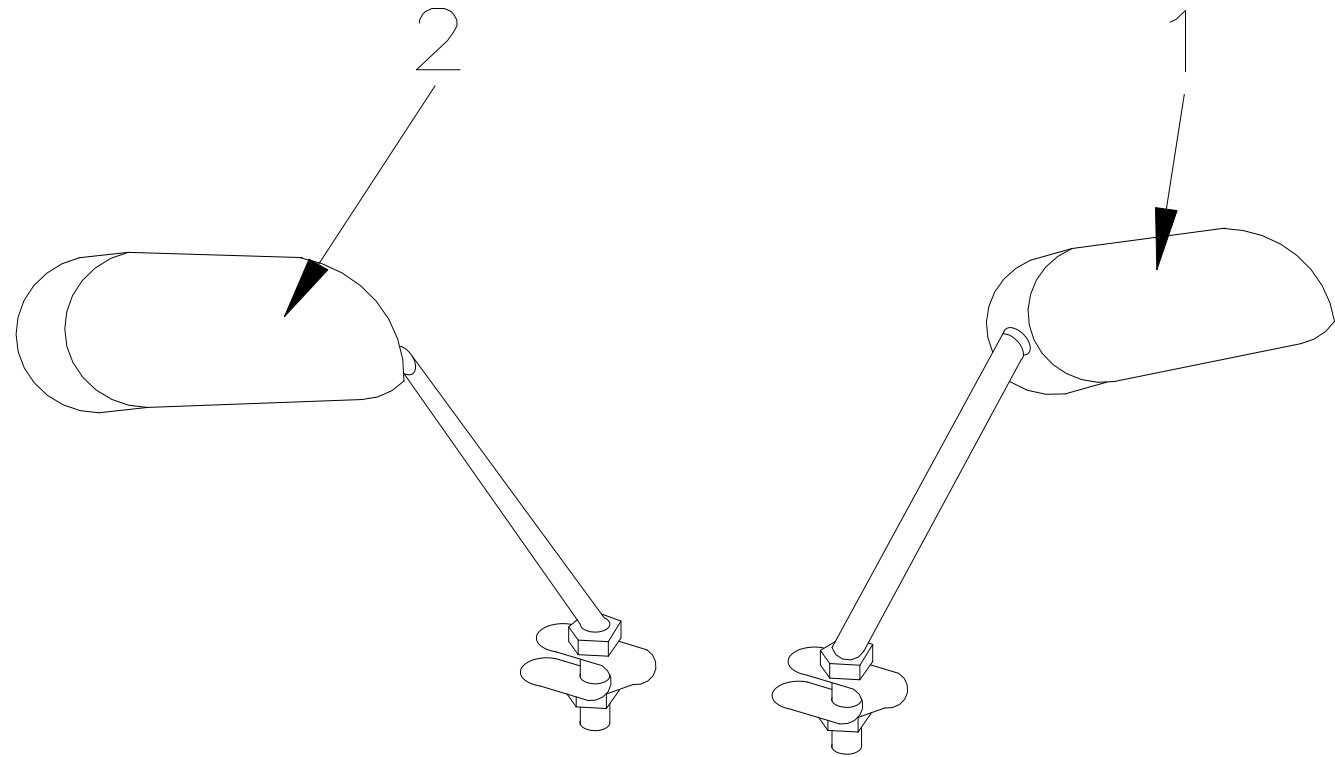
Fig&Index NO.	Parts No.	Parts Name	QTY.	Remark
<b>25</b>		<b>WIRE HARNESS ASS'Y, FRONT TO REAR, for RHINO 2 160A CONTROLLER</b>	<b>1SET</b>	
25-1	1909885	WIRE HARNESS, for RHINO 2 160A CONTROLLER	1	
25-2		PLUG	1	
25-3	1908273	REAR LIGHT CABLE ASS'Y	1	
25-4	1904308	TURN SIGNALS CABLE	1	
25-5	1908274	BATTERY CABLE , W/I FUSE	1	
25-6	1908275	BATTERY CABLE , W/I FUSE	1	
25-7	1908239	POWER CABLE, inclu. 70A BREAKER	2	
25-7-1	1912505	70A BREAKER	1	
	1912505	RELAIS CABLE BRAKE LIGHT ( NOT DEPICTED)	1	



25. WIRE HARNESS ASS'Y, FRONT TO REAR,  
for RHINO 2 160A CONTROLLER - LCD

# CARPO 3/3D IPB

Fig&Index NO.	Parts No.	Parts Name	QTY.	Remark
<b>25</b>		<b>WIRE HARNESS ASS'Y, FRONT TO REAR, for RHINO 2 160A CONTROLLER - LCD</b>	<b>1SET</b>	
25-1	1909868	WIRE HARNESS, FRONT TO REAR, for RHINO 2 160A- LCD, w/ Molex plug	1	
25-2		PLUG	1	
25-3	1908273	REAR LIGHT CABLE	1	
25-4	1904308	TURN SIGNALS CABLE	1	
25-5	1908274	BATTERY CABLE , W/I FUSE	1	
25-6	1908275	BATTERY CABLE , W/I FUSE	1	
25-7	1909885	POWER CABLE, inclu. 70A BREAKER	2	
25-7-1	1908239	BREAKER , 70A	1	
25-8	NA	ADAPTER for IGNITION SWITCH	1	
25-9	NA	ADAPTER for SPEED LEVER	1	
25-10	NA	ADAPTER for TURN SIGNALS	1	

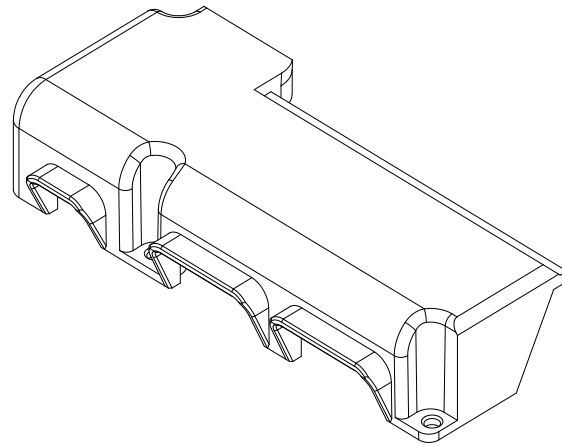


## 26. MIRROR ASS'Y



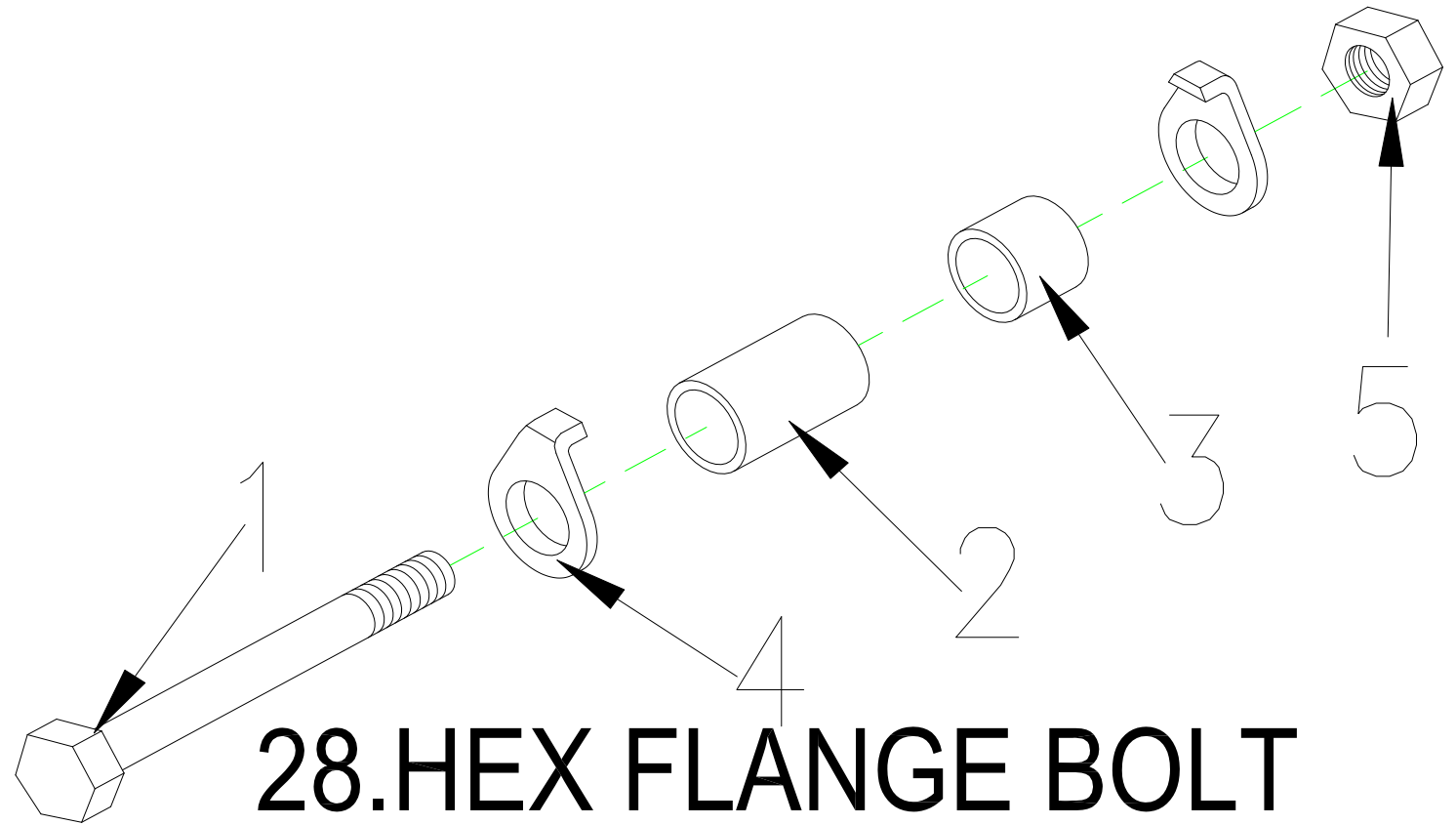
# CARPO 3/3D IPB

Fig&Index NO.	Parts No.	Parts Name	QTY.	Remark
<b>26</b>		<b>MIRROR COMP.</b>	<b>1SET</b>	
26-1	1904228	MIRROR , R	1	
26-2	1902427	MIRROR , L	1	

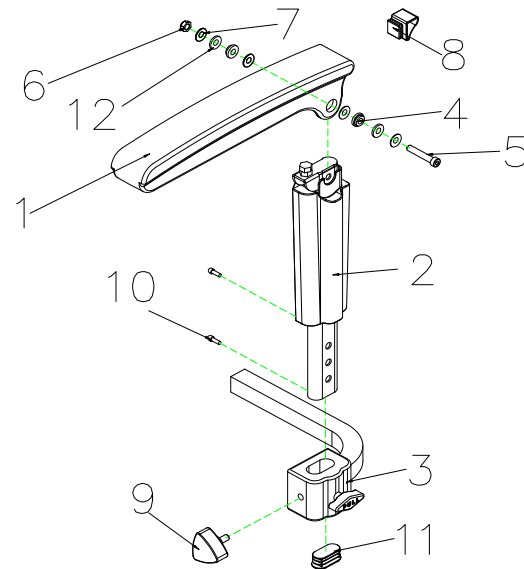


**27.COVER , CONTROLER,  
RHINO 2**

Fig&Index NO.	Parts No.	Parts Name	QTY.	Remark
27		<b>COVER CONTROLER, RHINO 2 USE</b>	1	



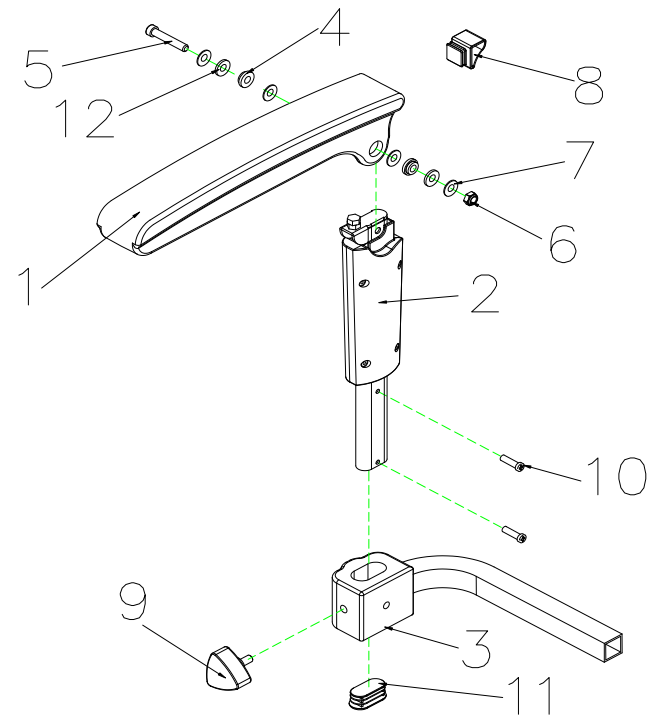
Fig&Index NO.	Parts No.	Parts Name	QTY.	Remark
<b>28</b>	<b>1905741</b>	<b>HEX FLANGE BOLT , M10xP1.5x160L</b>	<b>1SET</b>	
28-1		BOLT , M10xP1.5X160L	1	
28-2		SPACER , $\Phi$ 10.5x58L	1	
28-3		SPACER , $\Phi$ 10.5x34L	1	
28-4		FRONT FORK WASHER , M10	2	
28-5		NUT , M10	1	



29. ARMREST ASS'Y , L

# CARPO 3/3D IPB

Fig&Index NO.	Parts No.	Parts Name	QTY.	Remark
<b>29</b>	<b>1904605</b>	<b>ARMREST , ADJUSTABLE , L , W/I COVER</b>	<b>1</b>	
29-1		ARMREST , UPPER	1	
29-2	1904969	ARMREST ,LOWER, L	1	
29-3	1905936	ARMREST ADJUSTMENT BASE	1	
29-4		WASHER , 8mm	4	
29-5	1908423	HEXAGON BOLT , M8x55	1	
29-6		LOCK NUT , M8x1.25	1	
29-7	1908424	WASHER , M8	2	
29-8		PLUG	1	
29-9	1905612	BOLT,W/I KNOB , M8x25	1	
29-10		BOLT , M4X12	2	
29-11		PLUG-OB2040C	1	
29-12		SPACER $\psi$ 8.1X $\psi$ 11X3T	2	

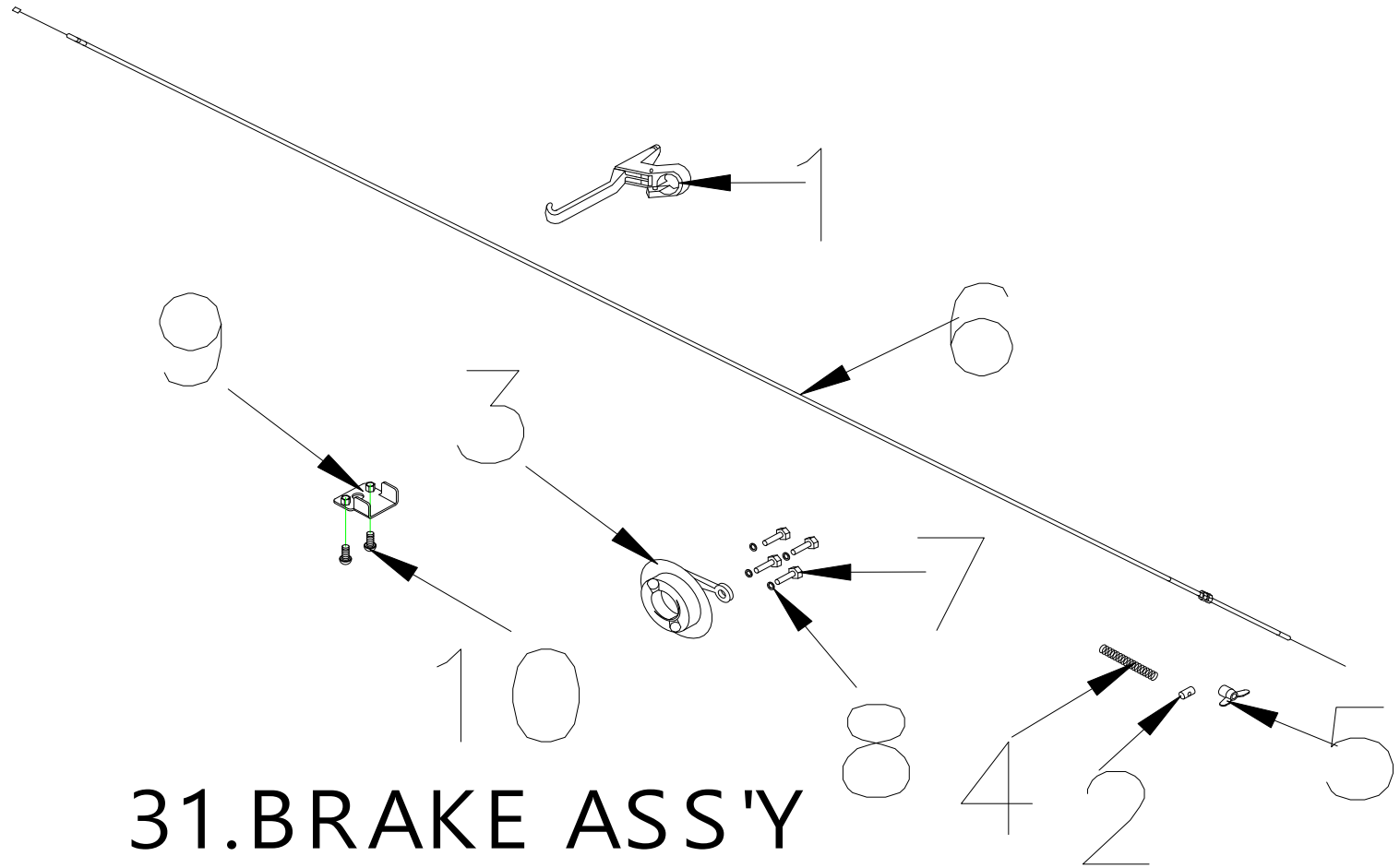


30. ARMREST ASS'Y , R



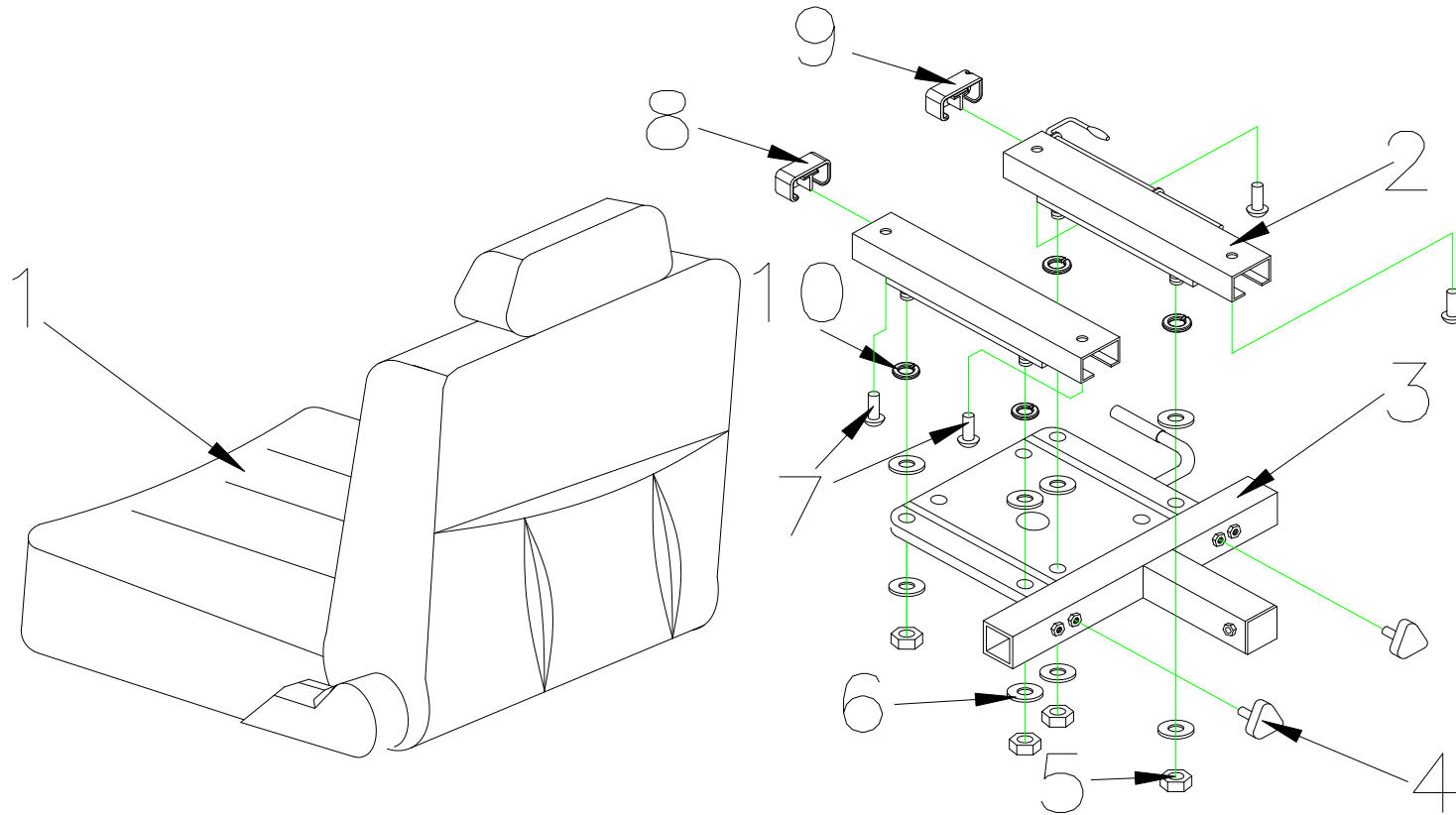
# CARPO 3/3D IPB

Fig&Index NO.	Parts No.	Parts Name	QTY.	Remark
<b>30</b>	<b>1904414</b>	<b>ARMREST , ADJUSTABLE , R , W/I COVER</b>	<b>1</b>	
30-1		ARMREST , UPPER	1	
30-2	1904970	ARMREST ,LOWER, R	1	
30-3		LOCK NUT , M8x1.25	1	
30-4		WASHER , 8mm	4	
30-5	1908423	HEXAGON BOLT , M8x55L	1	
30-6	1908424	LOCK NUT , M8x1.25	1	
30-7	1908425	WASHER , M8	2	
30-8		PLUG	1	
30-9	1905612	BOLT,W/I KNOB , M8x25	2	
30-10		BOLT , M4X12	2	
30-11		PLUG-OB2040C	1	
30-12		SPACER $\psi$ 8.1X $\psi$ 11X3T	2	



# CARPO 3/3D IPB

Fig&Index NO.	Parts No.	Parts Name	QTY.	Remark
<b>31</b>	<b>1910783</b>	<b>BRAKE ASS'Y</b>	<b>1SET</b>	
31-1	1906303	LEVER , BRAKE	1	
31-2		PIN , BRAKE	1	
31-3	1905553	COVER BRAKE,REAR	1	
31-4		SPRING , BRAKE	1	
31-5		NUT , BRAKE	1	
31-6	1913023	CABLE , BRAKE	1	
31-7		BOLT , M6x10	4	
31-8		SPRING WASHER , M6	4	
31-9	1903950	HOLDER , BRAKE	1	
31-10		BOLT , M5x20L	2	



32.SEAT ASS'Y

# CARPO 3/3D IPB

Fig&Index NO.	Parts No.	Parts Name	QTY.	Remark
<b>32</b>	<b>1904565</b>	<b>SEAT ASS'Y , TA-386C3</b>	<b>1SET</b>	
32-1	1905879	SEAT,18X18X18", (TA386C3)	1	
32-2	1907265	SLIDER , 150mm	1SET	
32-3		SEAT PLATE	1	
32-4	1905612	BOLT,W/I KNOB , M8x25	2	
32-5	1905469	LOCK NUT , M8x1.25	4	
32-6	1906451	WASHER , 5/16	8	
32-7	1907567	BOLT , M8x10L	4	
32-8	1907286	PLUG , SLIDER , L	1	
32-9	1907269	PLUG , SLIDER , R	1	
32-10	1907270	SPRING WASHER , M8	4	

Fig&Index NO.	Parts No.	Parts Name	QTY.	Remark
<b>34</b>		<b>ACCESSORIES</b>		
34-2		OWNER'S MANUAL , BE 01	1	
34-3		CARTON , BE 01	1	
34-5	1913856	BASKET	1	

