
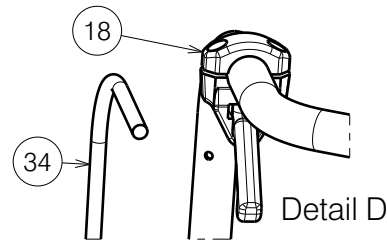
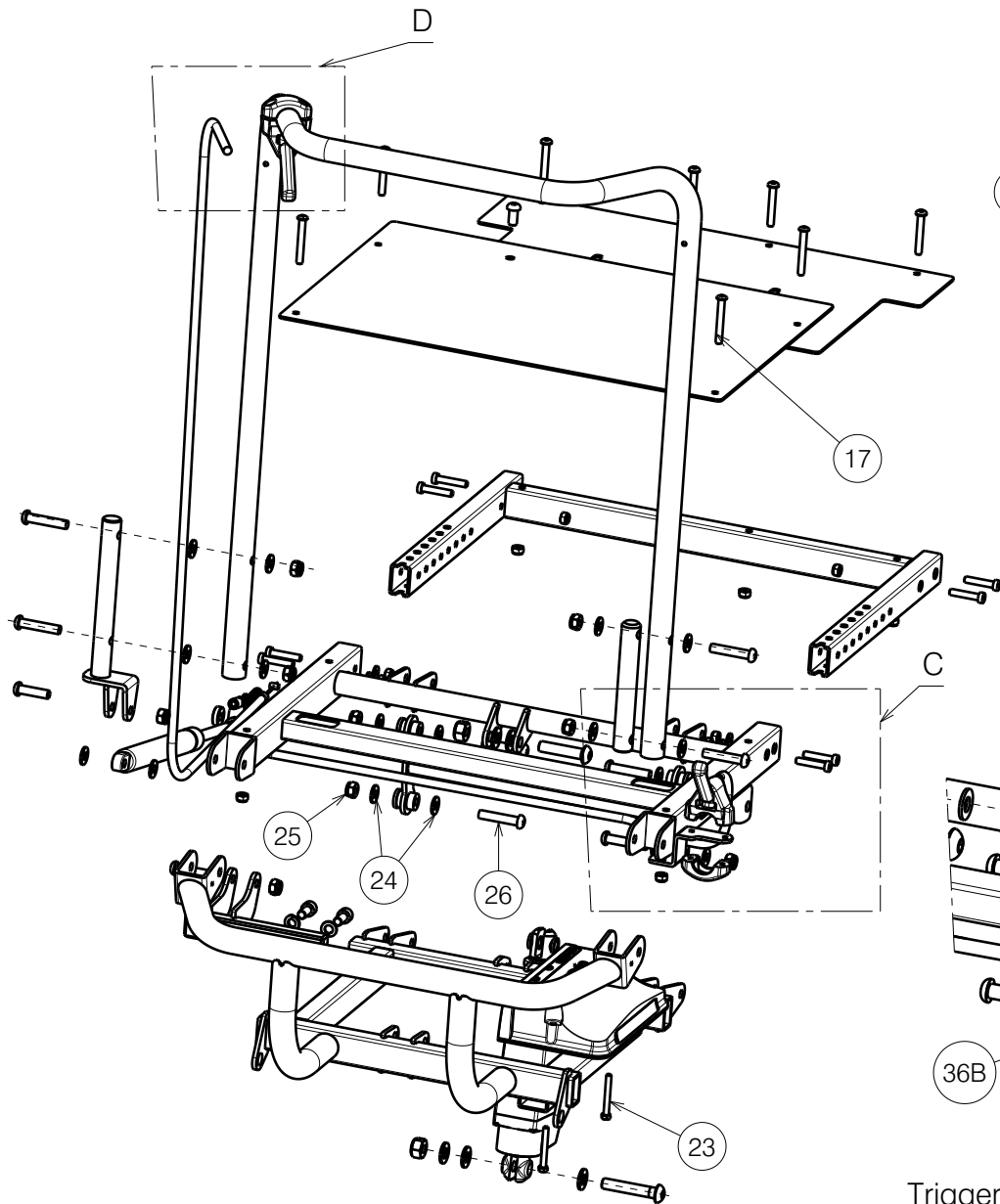


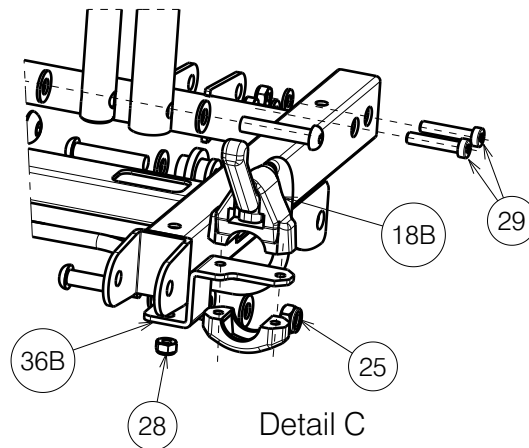
EP00624 / E

Sheet 1/3

|  |            |            |            |   |
|--|------------|------------|------------|---|
| TURIOS ELECTRIC ADJUSTABLE SEAT SE40<br>AND MANUAL BACKREST SE36 |            |            |            | Plan No.<br>EP00624 / E   |
| Scale: 1:7   | Drafted    | Verified   | Confirmed  |  |
| Date   | 09/11/2021 | 23/06/2022 | 23/06/2022 |   |
| Initials   | MK         | PM         | AZ         |   |

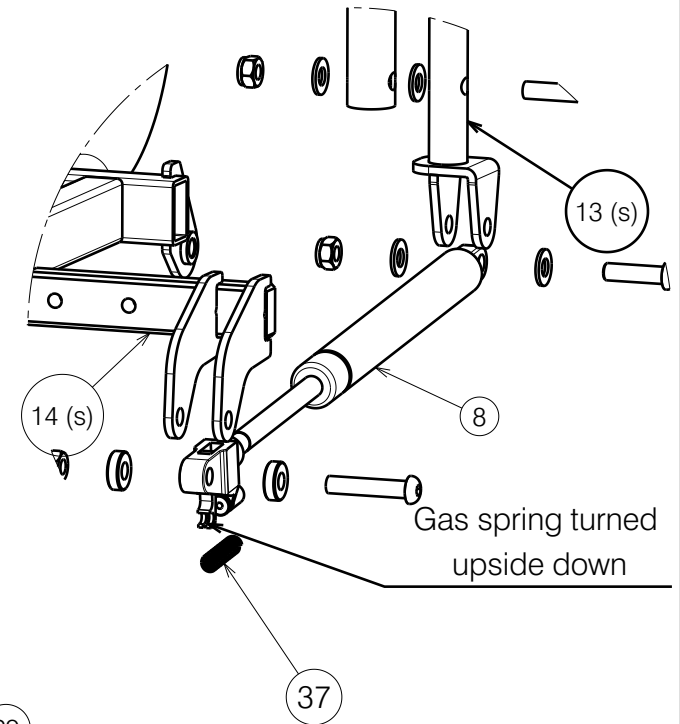


Trigger mounting option at the backrest



Trigger mounting option at the seat

13 (s) and 14 (s) are only for small size (39cm seat width)



TURIOS ELECTRIC ADJUSTABLE SEAT SE40 AND MANUAL BACKREST SE36

Plan No.  
EP00624 / E

|            |            |            |            |
|------------|------------|------------|------------|
| Scale: 1:7 | Drafted    | Verified   | Confirmed  |
| Date       | 09/11/2021 | 23/06/2022 | 23/06/2022 |
| Initials   | MK         | PM         | AZ         |



| Material |                 |         |          |
|----------|-----------------|---------|----------|
| No.      | Plan            | Article | Quantity |
| 1        | YP07411 (S)     | 2776954 | 1        |
|          | YP07412 (M)     | 2777054 | 1        |
|          | YP07413 (L)     | 2777154 | 1        |
| 2        | YP07414 (S)     | 2777254 | 1        |
|          | YP07415 (M)     | 2777354 | 1        |
|          | YP07416 (L)     | 2777454 | 1        |
| 3A       | YP07417 (S)     | 2777554 | 1        |
|          | YP07418 (M)     | 2777654 | 1        |
|          | YP07419 (L)     | 2777754 | 1        |
| 3B*      | YP08368 (S)     | 2614954 | 1        |
|          | YP08369 (M)     | 2615054 | 1        |
|          | YP08370 (L)     | 2615154 | 1        |
| 4        | YP07421 (M)     | 2777954 | 1        |
| 5        | YP07682 (S)     | 2600854 | 1        |
|          | YP07683 (M)     | 2600954 | 1        |
|          | YP07684 (L)     | 2601054 | 1        |
| 6        | YP07706 (S)     | 2779754 | 1        |
|          | YP07707 (M)     | 2779854 | 1        |
|          | YP07708 (L)     | 2779954 | 1        |
| 7        | YP07709 (S)     | 2780054 | 1        |
|          | YP07710 (M)     | 2780154 | 1        |
|          | YP07711 (L)     | 2780254 | 1        |
| 8        | GAS SPRING 275N | 1991628 | 1        |
| 9        | LINAK MOTOR     | 1908165 | 1        |
| 10       | LINX 60A        | 1912304 | 1        |
| 11       | TRIGGER         | 1994748 | 1        |
| 12       | X004967         | 1908262 | 2        |

\* - Only with BZ7E

A - Standard mounting at the backrest SE36B

B - Trigger mounting option at the seat SE36S

EP00624 / E

| Material |                 |         |          |
|----------|-----------------|---------|----------|
| No.      | Plan            | Article | Quantity |
| 13       | P00031739 (S)   | 26483   | 1        |
|          | YP09272 (M)     | 26428   | 1        |
|          | YP09272 (L)     | 26428   | 1        |
| 14       | P00028106 (S)   | 26482   | 1        |
|          | YP09267 (M)     | 26427   | 1        |
|          | P00031741 (L)   | 26484   | 1        |
| 15       | M8x16           | 1915411 | 2        |
| 16       | Washer M8       | 1001570 | 2        |
| 17       | M8x30           | 1992717 | 2        |
| 18       | Brake Handle    | 1996806 | 1        |
| 19       | M10x55 ISO 7380 | 1998518 | 1        |
| 20       | M10 DIN125      | 1001558 | 9        |
| 21       | M10 DIN985      | 1001683 | 4        |
| 22       | M10x45          | 1908848 | 3        |
| 23       | M5x40 DIN933    | 1001427 | 2        |
| 24       | M8 DIN125 BLACK | 2994415 | 16       |
| 25       | M8 DIN985       | 1001682 | 10       |
| 26       | M8x40           | 1008739 | 8        |
| 27       | M6x45           | 1991017 | 4        |
| 28       | M6 DIN985       | 2994063 | 15       |
| 29       | M6X30BLACK      | 1915416 | 8        |
| 30       | M6 DIN125       | 1001564 | 10       |
| 31       | M8x16           | 1991858 | 2        |
| 32       | M6x40           | 1006111 | 4        |
| 33       | XP02856         | GP21400 | 1        |
| 34A      | Cable hose      | 1003279 | 0,96m    |
| 34B      | Cable hose      | 1003279 | 0,70m    |
| 35A      | Cable line      | 1992149 | 0,96m    |
| 35B      | Cable line      | 1992149 | 0,70m    |
| 36B      | YP09313         | 2643754 | 1        |
| 37       | Spring          | 2992121 | 1        |

Sheet 3/3

TURIOS ELECTRIC ADJUSTABLE SEAT SE40  
AND MANUAL BACKREST SE36

Plan No.

EP00624 / E

|            |            |            |            |
|------------|------------|------------|------------|
| Scale: 1:7 | Drafted    | Verified   | Confirmed  |
| Date       | 09/11/2021 | 23/06/2022 | 23/06/2022 |
| Initials   | MK         | PM         | AZ         |

