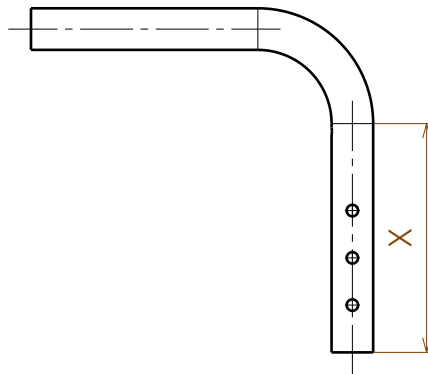


EP00376 / E

BACKREST FOLDED WITH HEIGHT ADJUSTMENT AND HANDLE				Plan No. EP00376/ E
Scale: 3:10	Drafted	Verified	Confirmed	Page 1/2
Date	14/02/2019	01/04/2021	01/04/2021	
Initials	AS	MK	TK	



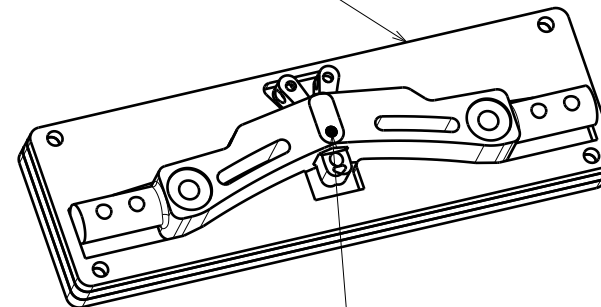
Material			
No.	Plan	Article	Quantity
1	YP07077(30-45)	2745465	1
	YP07081(40-55)	2745565	1
2	YP07064( 30-35)	2744965	1
	YP07065 (35-40)	2745065	1
	YP07066 (40-45)	2745165	1
	YP07067 (45-50)	2745265	1
	YP07068 (50-55)	2745365	1
3	XP01632	GP09399	1
4	XP01631	GP09299	1
5	XP01861	GP12900	1
6	XP01633	GP09500	1
7	XP01862	GP13200	1
8	XP03093	GP00286	1
9	XP02407	GP17800	1
10	XP03203	GP25700	1
11	M4x12	2994126	2
12	M5x12 DIN7991	2994076	2
13	M6	2994059	3
14	WASHERM6	2994068	1
15	M6x30DIN7991	2994116	2
16	M6x30	1992721	1
17	Washer M8	1001556	2
18	Y004353	F000411	1
* 19	Hand grip GR-KS	2993809	1
	GR-ERGO-S(120/80)	2993810	1
**20	---	1000899	1
**21	---	2993049	1
**22	---	2991192	1
**23	---	T001063	0,05m



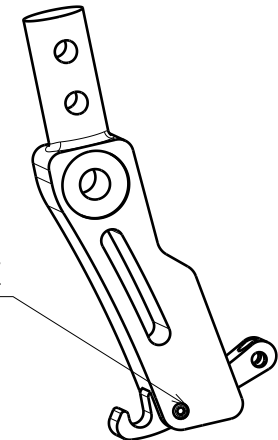
Plan	X
YP07064( 30-35)	121mm
YP07065 (35-40)	171mm
YP07066 (40-45)	221mm
YP07067 (45-50)	271mm
YP07068 (50-55)	321mm

M600033

USE RADIAL RIVETING MACHINE



USE RADIAL RIVETING MACHINE , SET THE VALUE OF MOTION 19.5



\* Optional (depending on the length)

\*\*Used to connect left and right side, use one per wheelchair

BACKREST FOLDED WITH HEIGHT ADJUSTMENT AND HANDLE Page 2/2				Plan No.
				EP00376/ E
Scale: 3:10	Drafted	Verified	Confirmed	
Date	14/02/2019	01/04/2021	01/04/2021	
Initials	AS	MK	TK	

EP00376 / E