

User manual

MANUEL D'UTILISATION
GEBRUIKSAANWIJZING
GEBRAUCHSANWEISUNG
MANUALE DI ISTRUZIONI
MANUAL DE INSTRUCCIONES
INSTRUKCJA OBSŁUGI
NÁVOD K OBSLUZE

Plego



EN

Instructions for specialist dealer

This instruction manual is part and parcel of the product and must accompany every product sold.

Version: D, 2024-03

FR

Instructions pour les distributeurs

Ce manuel d'instructions fait partie du produit et doit accompagner chaque produit vendu.

Version : D, 2024-03

NL

Instructies voor de vakhandelaar

Deze handleiding is deel van het product en dient bij iedere product te worden geleverd.

Versie: D, 2024-03

DE

Hinweise für den Fachhändler

Diese Gebrauchsanweisung ist Bestand-teil des Produkts und ist bei jeder Produkts auszuhändigen.

Version: D, 2024-03

IT

Istruzioni per il rivenditore

Il presente Manuale di istruzioni è parte integrante del prodotto e deve essere fornito assieme alla prodotto.

Versione: D, 2024-03

ES

Instrucciones destinadas a los distribuidores especializados

El presente manual de instrucciones es parte integrante del producto y se debe adjuntar a todas las producto que se vendan.

Versión: D, 2024-03

PL

Instrukcje dla wyspecjalizowanego sprzedawcy

Niniejsza instrukcja obsługi jest nieodłączną częścią produktu i musi być dołączona do każdego sprzedawanego produktu.

Wersja: D, 2024-03

CS

Pokyny pro specializovaného prodejce

Tento návod k obsluze je součástí dodávky a musí být součástí každého prodaného produktu.

Verze: D, 2024-03

All rights reserved, including translation.

Tous droits réservés, y compris la traduction.

Alle rechten, inclusief vertaling, voorbehouden.

Alle Rechte, auch an der Übersetzung, vorbehalten.

Tutti i diritti riservati (anche sulla traduzione).

Todos los derechos reservados, incluidos los de la traducción.

Wszelkie prawa zastrzeżone, łącznie z tłumaczeniem.

Všechna práva vyhrazena, včetně překladu.

Content

Content	1
Preface	2
1 Your product	3
1.1 Options.....	3
2 Before use	4
2.1 Intended use.....	4
2.2 General safety instructions.....	4
2.3 Symbols on the wheelchair.....	5
2.4 Transport.....	5
2.5 Folding/Unfolding.....	6
2.6 First use and storage.....	7
3 Using your wheelchair	8
3.1 First ride.....	8
3.2 Driving outdoors.....	8
3.3 Operating console.....	9
3.4 Brake and free-wheel lever.....	10
3.5 Moving to/from wheelchair.....	11
3.6 Comfort adjustments.....	11
3.7 Battery status and charging.....	12
3.8 Switching the electric device On/Off.....	13
3.9 Mounting / removing battery.....	13
4 Installation and adjustment	15
4.1 Tools.....	15
4.2 Manner of delivery.....	15
4.3 Adjusting the footrest.....	15
5 Maintenance	16
5.1 Time of maintenance.....	16
5.2 Instructions for maintenance.....	16
5.3 Troubleshooting.....	17
5.4 Expected lifespan.....	17
5.5 Reuse.....	17
5.6 End of use.....	18
6 Troubleshooting	19
7 Technical specifications	20

Preface

Congratulations! You are now owner of a Vermeiren wheelchair!

This wheelchair is made by qualified and committed personnel. It is designed and produced according to high quality standards guarded by Vermeiren.

Thanks for your trust in the products of Vermeiren. To support you on the use of this wheelchair and its operating options, this manual is offered. Please read it carefully; it will help you to get familiar with the operation, capabilities and limitations of your wheelchair.

If you still have questions after reading this manual, do not hesitate to contact your specialist dealer. He/she will be glad to help you on this subject.

Important note

To ensure your safety, and to prolong the lifetime of your product, please take good care of it and have it checked and serviced on a regular basis.

This manual reflects the latest product developments. Vermeiren has the right to implement changes to this type of product without being imposed to any obligation to adapt or replace similar products previously delivered.

Pictures are used to clarify the instructions in this manual. Details of the depicted product may deviate from your product.

Information available

On our website <http://www.vermeiren.com/> you will always find the most recent version of following information. Please consult this website regularly for possible updates.

Visually impaired people can download the electronic version of this manual and have it read out by means of a text-to-speech software application.



This user manual
For user and specialist dealer



Service manual for wheelchairs
For specialist dealer



EC declaration of conformity

1 Your product



- | | |
|----------------------|---|
| 1. Backrest | 7. Front wheels |
| 2. Operating console | 8. Rear wheels / Driving wheels with motors |
| 3. Armrest | 9. Battery |
| 4. Seat | 10. Identification plate |
| 5. Footrest | |
| 6. Footplate | |

1.1 Options

Contact your specialist dealer about options. He will gladly advise you.

2 Before use

2.1 Intended use

In this paragraph a brief description of the intended use of your wheelchair is given. Additionally, relevant warnings are added to the instructions in the other paragraphs. In this way we would like to make you aware of the possible misuse that may appear.

- This wheelchair is suitable for indoor and outdoor use.
- This wheelchair is designed and produced solely to transport/transfer one (1) person with a maximum weight of 130kg. It is not designed for transportation of goods or objects, nor for any use other than previously described.
- This wheelchair can be operated by the user sitting in the wheelchair, or it can be pushed by an attendant. You should NOT use this wheelchair without attendant if you suffer from physical or mental impairments that may put you, or other people, in danger when driving the wheelchair. For this reason, consult your doctor first and make sure that your specialist dealer is informed about his advice.
- Only use accessories and spare parts approved by Vermeiren.
- Please read all technical details and limits of your wheelchair in chapter 7.
- The warranty on this product is based on normal use and maintenance as described in this manual. Damage to your product caused by improper use or lack of maintenance will cause the warranty to lapse.

2.2 General safety instructions



CAUTION

Risk of injuries and/or damage

Please read and follow the instructions in this manual. Otherwise you may get injured or your wheelchair may get damaged.

Keep the following general warnings in mind during use:

- Do not use your wheelchair if you are under influence of alcohol, medicines or other substances that may influence your driving abilities.
- Be aware that some parts of your wheelchair may get very hot or cold due to ambient temperature, solar radiation, heating devices or due to the motor drive during the ride. Be careful when touching. Wear protective clothing if the weather is cold. After a ride, wait until the wheelchair/motor has cooled down.
- Before switching the wheelchair on, be aware of the environment/situation in which you are located. Adjust your speed to this before driving off. We advise you to use the slowest speed setting to drive indoors. For outdoor driving you can adjust the speed to a suitable speed at which you feel comfortable and safe.
- ALWAYS keep in mind that your wheelchair may stop suddenly due to a discharged battery or a protection that prevents your wheelchair from further damage. Also check the possible causes mentioned in § 5.3. Use your safety belt to prevent injuries.
- Your wheelchair has been tested for electromagnetic compatibility and complies with the standard, see chapter 7. Nevertheless, sources of electromagnetic fields may influence the driving performance of your wheelchair, such as the fields of mobile phones, power generators or high-power energy sources. On the other hand, the electronics of your wheelchair can affect other electronic appliances too, such as alarm systems of shops and automatic doors. We therefore advise you to check your wheelchair regularly for damage and wear, since these may enlarge the interference (see also chapter 5).
- Only drive on flat surfaces where both driving wheels touch the ground and where there is sufficient contact to operate the wheelchair safely.

- Alterations or substitutions should not be made to the wheelchair securement points or to structural and frame parts or components without consulting the wheelchair manufacturer.
- Make sure that your hands, clothes, belts, buckles or jewellery don't get caught by wheels or other moving parts during use.

Be aware that your wheelchair may interfere with some types of anti-theft systems, depending on the settings used. This may cause the shop's alarm to go off.

Any serious incident [MDR (EU) 2017/745 §2 (65)] that has occurred in relation to the device should be reported to the manufacturer and the competent authority of the Member State in which the user and/or patient is established.

2.3 Symbols on the wheelchair

The symbols in following list are applicable to your wheelchair. Symbols can be found in the relevant ISO standard (ISO 7000, ISO 7001 and IEC 417).



Maximum weight of the user in kg



Indoor use only (battery charger)



Maximum safe slope in ° (degrees).



Maximum speed



Type designation



Risk of entrapment

2.4 Transport

CAUTION

Risk of damage

Take action to protect the wheelchair from being damaged during transport.

2.4.1 Moving out of the way

Use the operating console to drive the wheelchair to its destination.

Otherwise, put the wheelchair in free-wheel mode (see §3.4) and use the push bar to move it.

2.4.2 Transport by aircraft

When transporting the wheelchair by aircraft, lock and disconnect the battery before handing the wheelchair over to airport personnel (see §3.9 and §3.8). The battery can remain in the wheelchair. Consult your airline for the correct handling procedure.

2.4.3 Transport by vehicle, as luggage

The best way to transport your electric wheelchair in the car is to fold it and lift it in the car.

1. As the wheelchair user, transfer to a car seat, see §3.5.
2. Remove all moveable parts prior to transport (bags, headrest,...).
3. Store moveable parts safely behind the passenger seat or in the luggage compartment.

4. Fold the wheelchair (see §2.5) and lift the wheelchair in the car (if necessary, with the help of 2 persons) by grasping the fixed parts of the frame.
5. Attach the solid parts of the frame securely to the vehicle.
6. Place the wheelchair in drive mode (engaging the parking brakes) and check that the operating console is switched off.

2.5 Folding/Unfolding

 CAUTION Risk of injuries

- Make sure that your fingers, clothes, buckles won't get trapped during (un)folding.

To unfold the powered wheelchair:

1. Switch OFF the wheelchair.
2. Place the wheelchair upright on the support wheels (1).
3. Pull the seat and backrest apart to unfold the frame until the bracket (2) clicks into place. Make sure that the locking bracket is in locked position.
4. Place the wheelchair on the rear and front wheels.
5. Fold the armrests (3) down until they click into place.
6. Fold the footrest (4) down.
7. Mount any options that had been removed for transport.
8. The wheelchair is now ready for use.

To fold the powered wheelchair:

1. Switch OFF the wheelchair.
2. Remove any loose options.
3. Make sure that the wheelchair is in freewheel position (see §3.4).
4. Press the buttons (5) on the armrests and fold the armrests (3) backwards.
5. Unlock the frame by pressing the bracket (2).
6. Grasp the backrest and seat frame and press them toward each other. Make sure that the wheelchair is standing stable upright on the support wheels (1).
7. Fold the footrest (4) over the battery.
8. In case the armrests are sticking out, adjust the armrests to a more compact position close to the frame.



2.6 First use and storage

 CAUTION Risk of battery damage

- Never completely discharge the battery.
- Do not interrupt the charging cycle; only disconnect the battery charger when the battery is fully charged.
- Make sure that your wheelchair is stored dry to prevent mould from growing and the upholstery from being damaged.
- Check the technical details for storage, see chapter 7.

Ensure that the battery has been fully charged before using your wheelchair, ask your dealer if this has already been done or not. To charge, follow the charging instructions in §3.7.

3 Using your wheelchair



WARNING

Risk of injuries

- First read previous chapters and inform yourself about the intended use. Do NOT use your wheelchair unless you have read and fully understood all instructions.
- In case of doubts or questions, do not hesitate to contact your local specialist dealer, your care provider or technical adviser to help you with this.

3.1 First ride



CAUTION

Risk of injuries and damage

- Always keep the swing range of footrest and operating console in mind to prevent bystanders from being injured or objects from being damaged.
- Always unplug the battery charger from the wheelchair before starting to drive.

- i**
- Make sure that you are familiar with the operation of your wheelchair before using it in crowded and possibly dangerous places. First exercise at a spacious, open area with little bystanders.
 - Investigate the effects of shifting the centre of gravity on the behaviour of the wheelchair, for example on up or down gradients, on laterally sloping ground, or when overcoming obstacles. Obtain support from an attendant.
 - The surface of the controller gets slightly warm during use.
 - While driving backwards, the speed is reduced.

1. Make sure that:

- the wheelchair is on a flat surface;
 - the battery is fully charged, see § 3.7;
 - The motor is coupled, see § 3.4;
 - the wheelchair is adapted to your needs and comfort, see §3.6;
 - you have the proper sitting position, see § 3.5.
2. Follow the instructions in the operating console manual.
 3. Switch on your wheelchair.
 4. Turn the speed control to the lowest speed setting.
 5. Exercise how to drive and make adjustments to the wheelchair.
 6. If you feel confident enough, you can try to drive at higher speed.
 7. Now try to turn, in forward and backward direction. Repeat this a few times.
 8. Make sure that your wheelchair stands stable, when ending the ride.
 9. Switch off your wheelchair.

3.2 Driving outdoors




WARNING

Risk of accident - Adjust your driving behaviour and speed.

- Take the local road traffic law into consideration; it may differ per country. This counts for driving on pavements, unpaved roads or paved roadways.
- Do not drive on roads with heavy traffic.
- Take the weather conditions into consideration. Avoid driving by moist weather, extreme heat, snow, black ice, freezing temperatures; see technical specifications in chapter 7.
- Make sure that you are well visible, also during daylight hours, by using fluorescent clothing and/or by using own lighting at the front and rear side of the wheelchair.
- Be aware of other road users to whom your wheelchair may be an obstacle. Pay special attention during turning and reversing. If you are not acquainted with how to drive backwards, first practice in an open area. Indicate the direction you are intending to go before turning.
- Try to drive straight in small passages to prevent getting trapped.

- Keep the braking distance in mind. Be aware that the braking distance depends on speed, surface, weather conditions, slope and weight of the user.

3.2.1 Cope with slopes, kerbs, obstacles or ramps

 CAUTION Risk of injuries by unexpected movement

- Use a restraining safety belt to secure yourself sitting in the wheelchair.
- Pay attention if the road is sandy, has soft ground, holes or gaps that may cause entrapment of the wheels and/or decreasing of the traction of the driving wheels.
- Do NOT drive on slopes, obstacles, steps or kerbs larger than the size described in the technical specifications in chapter 7.
- Always approach a kerb from the front.
- Do not put your wheelchair in free-wheel mode on a slope. The wheelchair may start moving, causing injuries to you or bystanders.
- Do not use your wheelchair on an escalator or stairs.
- Only use ramps approved by Vermeiren and do not exceed their maximum load.
- To safely overcome obstacles or slopes, put the wheelchair in its most upright sitting position.

i When you stop on a slope, the brake will work automatically to prevent the wheelchair from running forward or backward.

CAUTION Risk of damage

- Always park your powered wheelchair on horizontal flat surfaces and on sites that are easily accessible.
- If necessary, take a short run-up to speed up the wheelchair to mount a slope, obstacle, kerb or ramp. Prevent that you or your wheelchair has to cope with a large recoil.
- Make sure that the wheelchair does not touch the ground or ramp due to the inclination of the wheelchair.
- Be aware that the braking distance on downhill slopes can be significantly larger than on level ground.

Procedure

- Start your drive according to the instructions in § 3.1, step 1.
- To move the wheelchair up or down stairs/steps, use lifting equipment or a ramp. If these are not available, it can be lifted manually by at least two persons, grasping the frame firmly with both hands. Do not use the backrest, footplate(s), armrests, or wheels to grasp the wheelchair.
- To cope with obstacles or inclinations:
 1. Adjust the wheelchair to its most stable position, see § 3.5.
 2. Drive as slow as possible to cope with the obstacle or inclination.

3.3 Operating console

i Put the joystick in the neutral (central) position before pressing the on/off button, otherwise the electronics will be blocked. To release this block, switch the operating console off and on again.

1. ON/OFF button
2. Battery charge indicator
3. Speed indicator
4. Horn button
5. Speed decrease button
6. Speed increase button
7. Joystick



3.3.1 Technical protections

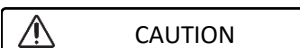
For your own safety, and to prevent that the wheelchair gets damaged, movements are monitored by the electronics. This may result in speed decrease or complete stop.

- To avoid accidental battery run down, your wheelchair is equipped with an automatic power shutdown system. This system switches off the operating console automatically when it is not operated for a while. If this occurs, simply switch your console back on.
- Make sure that the free-wheel lever is in braking position BEFORE switching the wheelchair ON. Electromagnetic brakes do NOT function if the wheelchair is in free-wheel mode. This is indicated on the operating console. Driving is not possible.

3.3.2 Driving

1. Press the ON/OFF button (1) to switch on the wheelchair.
2. If the lights of the battery charge indicator (2) and speed indicator (3) go on, the wheelchair is powered and ready to go.
3. Check the battery status indicator. Charge the battery if necessary (see §3.7).
4. Adjust the driving speed: decrease the speed with the speed decrease button (5), or increase the speed with the speed increase button (6).
5. Start moving the wheelchair by operating the joystick (7) slowly forwards/backwards.
6. The speed will increase when you push the joystick further out of the centre.
7. To turn left or right, push the joystick to the left or right.
8. To brake, move the joystick to neutral position.
9. Press the horn button (4) to alert other road users if necessary.
10. After arrival, check the battery status and press the ON/OFF button to switch off the wheelchair.
11. Charge the battery if necessary.

3.4 Brake and free-wheel lever



CAUTION

Risk of injuries or damage

- Only operate the free-wheel lever when your wheelchair is turned OFF. An attendant should operate the free-wheel lever. NEVER operate it from sitting position.
- Do not use the free-wheel mode on slopes and inclinations, see symbol on motor.



- i** Make sure that the free-wheel lever is in its braking position BEFORE switching the wheelchair ON. Electromagnetic brakes do NOT function if the wheelchair is in free-wheel mode. This is indicated on the operating console. Driving is not possible.

Your wheelchair is equipped with electromagnetic brakes. The working of the brakes depends on the position of the free-wheel lever (1).

The EM brakes function automatically, **only if** free-wheel lever (1) is in braking position. In this situation, the brakes start braking if:

- the wheelchair is OFF;
- the wheelchair is ON and the joystick is released.

Releasing the joystick makes the wheelchair stop gently and activates the brakes.

Operation of free-wheel lever:



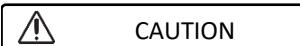
- Turn levers UP to put the wheelchair in free-wheel mode. Now, the motor is disconnected. The wheelchair can be moved manually.



- Turn levers DOWN to connect the motor to the drive. This should be done before starting the wheelchair.



3.5 Moving to/from wheelchair

**CAUTION**

Risk of injuries or damage

- In case you cannot perform the transfer in a safe manner, ask someone to assist you.
- Do not stand on the footplate(s) during transfer into or out of the wheelchair.

Transfer

1. Position the wheelchair as close as possible to you when sitting in your chair, couch, seat or bed.
2. Apply the brakes by turning the free-wheel lever to braking position, see § 3.4.
3. Fold the footplate(s) upwards to prevent standing on them.
4. If necessary, fold back one armrest to make room, see §2.5.
5. Transfer to/from the wheelchair using the strength of your arms or with the help of attendant(s) or lifting equipment.

Sitting in the wheelchair

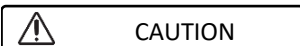
1. Sit down on the seat with your lower back against the backrest.
2. Turn the footplate(s) down and put your feet on the footplates.
3. Fold down the armrest, if applicable.

Adjusting to stable position

For transport purposes and when you need to negotiate obstacles, the wheelchair must be adjusted to maximise its stability:

- Backrest upright
- Footplate folded up

3.6 Comfort adjustments

**CAUTION**

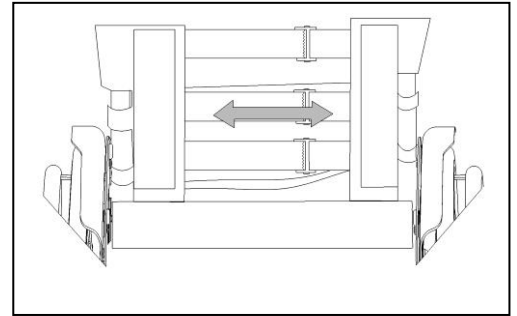
Risk of injuries or damage

- The following comfort adjustments can be done by the attendant or caretaker. All other adjustments are done by your specialist dealer according to the installation instructions, see preface.
- Make sure that your fingers, clothes, buckles don't get trapped during adjustment.

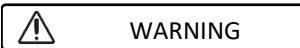
3.6.1 Backrest support

The backrest of the wheelchair has a suspension system with adjustable Velcro straps, to adjust the flexibility of the backrest.

1. Pull the backrest cushion from the Velcro straps of the backrest.
2. Loosen the Velcro straps.
3. Pull the respective strap to the desired position. The tension of the individual belts can be varied and the desired support of the back can be set.
4. Place the back cushion back over the backrest starting at the front and ending at the back.
5. Secure the Velcro connections by pressing the cushion against the backrest with your hand.
6. Make sure that all straps are secured with Velcro.



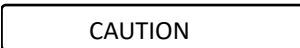
3.7 Battery status and charging



WARNING

Risk of injuries and damage due to fire

- Only use the battery charger delivered with the wheelchair. The use of any other charger may be dangerous (fire hazard).
- The battery charger is only intended to charge the batteries delivered with the wheelchair, not to charge any other batteries.
- Do not adapt any of the delivered parts, like cables, plugs or battery charger. Never open or change the battery or the connection points.
- Protect the battery and battery charger against flames, high and low temperatures (see chapter 7), moisture, sunshine, severe shocks (for example dropping). Do NOT use the battery if this has been the case.
- Charge the battery with the battery charger, indoors, in a well-ventilated area, out of children's reach.



CAUTION

Risk of damage

- Battery self-discharge and the quiescent current of the connected users will drain the battery charge slowly. The battery may be irreversibly damaged if the battery is fully discharged. Therefore, make sure that the battery is charged on time (see 3.7).
- Read the storage and maintenance instructions in chapter 5 and technical details in chapter 7.
- Do not charge batteries below 0°C. Move the battery to a warmer place and start charging.
- Keep the connection point for the battery charger free of dust and other contamination.
- In case of any problems whereby the battery cannot be charged according to following instructions, please contact your specialist dealer.

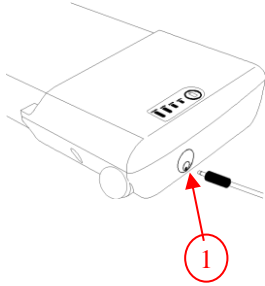
For all information on battery status indication, please read §3.7.

- i** It is recommended to unplug the battery charger from the mains when not in use. This is to prevent unnecessary energy consumption.

Always check the battery for damage before charging. Press the charge indicator button for 2 seconds to switch on the battery. When no LED of the charge indicator lights up, the battery may be damaged. When at least one, but not all LEDs of the charge indicator, is lit, then fully charge the battery pack before using for the first time.

Do not charge or use a damaged battery, contact your specialist dealer.

To ensure full battery capacity, completely charge the battery with the charger before using it for the first time. The battery can be recharged at any time on the wheelchair or while removed from the wheelchair.



Instructions to charge the battery:

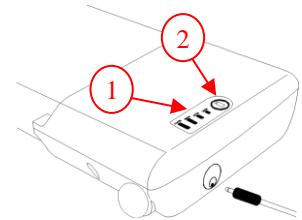
1. Switch the battery off.
2. If desired, remove the battery from the battery housing and prevent dirt or fluids from entering the charging socket.
3. Connect the charger plug to the battery pack ①.
4. Connect the charger mains plug into the wall socket.
5. The LED indicator on the battery charger will show the status of the charging process:
 - Red - Charging
 - Green - Standby / Fully Charged
6. Once the battery is fully charged, remove the battery charger from the wall socket and the battery.

3.7.1 Battery charge indicator

There are two battery charge indicators:

On the battery pack:

1. Press button ② on the battery pack.
2. The LED's of the battery charge indicator ① will indicate the battery charge level.



Operator console:

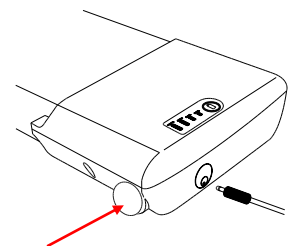
When the electric system is switched on, the battery indicator (2, §3.3) will indicate the battery charge level.

- All LEDs on: battery fully charged.
- Only red LED on or blinking: immediately recharge battery.

Because of the wiring, both indications can deviate a little bit. In that case, take the worst charge level indication.

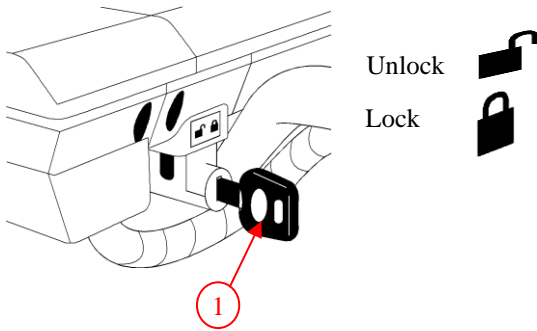
3.8 Switching the electric device On/Off

Press the on/off switch on the side of the battery.



3.9 Mounting / removing battery

The battery can be removed for easy charging away from the wheelchair.



To mount the battery:

1. Place the key ① and turn the key towards the unlock symbol.
2. Place the battery in the battery housing as far as possible. There is only 1 possible way to insert the battery.
3. Turn the key ① to the lock symbol.
4. Make sure that the battery is fixed well.
5. Remove the key ①. (Never remove the key while riding).

To remove the battery:

1. Place the key ①.
2. Turn the key ① to the unlock symbol.
3. Pull the battery gently out of the battery housing.

4 Installation and adjustment

The instructions in this chapter are for the specialist dealer.

To find a service facility or specialist dealer near you, contact the nearest Vermeiren facility.

 **WARNING** Risk of injuries and damage

- Use only the settings described in this manual.

4.1 Tools

To set up the wheelchair the following tools are needed.

- Allen key n° 4
- Wrench key n° 10

4.2 Manner of delivery

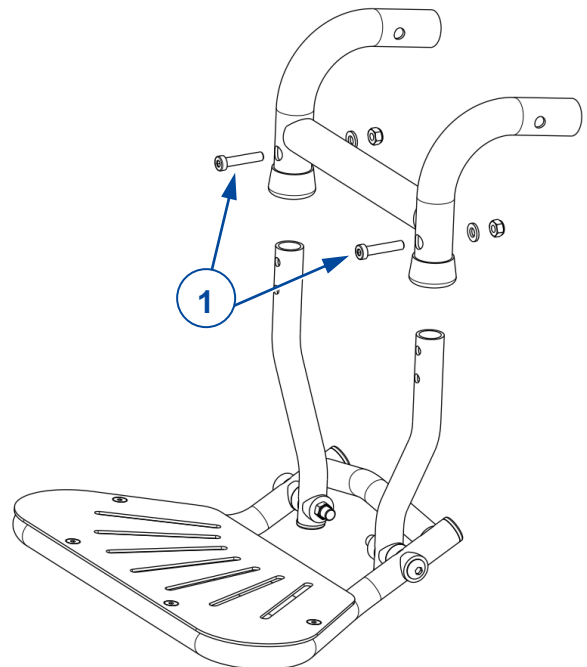
The Vermeiren Plego shall be delivered with:

- 1 frame with armrests, rear and front wheels, footrest
- Tools
- Manual
- Accessories (optional)

4.3 Adjusting the footrest

The length of the footrest can be adjusted in 2 positions (20mm range):

1. Remove the screws and nuts (1).
2. Adjust the footrest to the desired length.
3. Retighten the screws and nuts.



5 Maintenance

5.1 Time of maintenance

 CAUTION Risk of injuries and damage

Repairs and replacements may only be undertaken by trained persons and only genuine replacement parts of Vermeiren should be used.

i The last page of this manual contains a registration form for the specialist dealer to record each service.

The service frequency depends on the frequency and intensity of use. Contact your dealer to agree to a common timetable for inspection/maintenance/repair.

Read the user instructions of the applied battery charger regarding maintenance.

For the maintenance manual, refer to the Vermeiren website: www.vermeiren.com.

Before each use

Inspect the following points:

- All parts: present, undamaged and unworn.
- All parts: clean, see § 5.2.2.
- Wheels, seat, arm rests, footrests and headrest (if applied): well secured.
- Battery status: charge the battery when necessary, see §3.7.
- Operating console, battery, power module, motors, battery charger, lights and relevant cables: no damage such as wires that have become frayed, broken or exposed.
- Condition of wheels/tyres, see § 5.2.1.
- Condition of frame parts: no deformation, instability, weakness or loose connections.
- Seat, backrest, arm pads, calf pads and head rest (if applied): no excessive wear (like dented spots, damage or tears).

Contact your specialist dealer for possible repairs or part replacements.

Every month

If your wheelchair is stored for a longer period, you still need to charge the batteries every month. It is also possible to keep the battery charger connected to the battery and the mains during this period. For more information, see § 3.7.

Yearly or more often

Have your wheelchair inspected and serviced by your specialist dealer, at least once a year, or more often. The minimum maintenance frequency depends on use and should therefore be commonly agreed upon with your specialist dealer.

If stored

Make sure that your wheelchair is stored in a dry environment to prevent mould from growing, or the upholstery from being damaged.

5.2 Instructions for maintenance

5.2.1 Wheels and tyres

i Proper working of the brakes depends on the state of the tyres, that can change due to wear and contamination (water, oil, mud, ...).

- Keep your wheels free of wires, hair, sand and fibres.
- Check the profile of the tyres. If the tread depth is less than 1 mm, the tyres need to be replaced. Contact your specialist dealer for this matter.

5.2.2 Cleaning

CAUTION

Risk of damage by moisture

- Keep the operating console clean and protect it from water and rain.
- Never use a hose or high-pressure cleaner to clean the wheelchair.

Wipe all rigid parts of the wheelchair with a damp cloth (not drenched). If necessary, use a mild soap, suitable for varnishes and synthetics.

The upholstery can be cleaned with lukewarm water and a mild soap. Do not use abrasive cleaning agents to clean.

Keep the ventilation openings of the battery charger clean and free of accumulated dust. Blow away the dust and clean the battery charger enclosure with a slightly moistened cloth, if required.

5.2.3 Disinfection

CAUTION

Risk of damage

Disinfections may only be undertaken by trained persons. Consult your specialist dealer.

5.3 Troubleshooting

Even if you use your wheelchair properly, a technical problem may occur despite this. In this case, contact your local specialist dealer.



WARNING

Risk of injuries and damage to the wheelchair

- NEVER attempt to repair your wheelchair yourself.
- For failures in the operating console you need to contact your specialist dealer. He/She will decide if the console needs to be reprogrammed.

In case of failure, a fault code is displayed on the operating console, see §6.

The following symptoms may indicate a serious problem. Therefore, always contact your specialist dealer if you spot any of the following deviations:

- Strange sound;
- Frayed/damaged wiring harnesses;
- Cracked or broken connectors;
- Uneven tread wear at one of the tyres;
- Jerky movements;
- Wheelchair deflects to one side;
- Damaged or broken wheel assemblies;
- Wheelchair does not switch on (blown fuse);
- Wheelchair is powered but does not move, see 3.4.

5.4 Expected lifespan

The average lifespan of your wheelchair is 5 years. Depending on the frequency of use, driving circumstances and maintenance, the lifespan of your wheelchair will increase or decrease.

5.5 Reuse

Before reuse by another person, have the wheelchair disinfected, inspected and serviced according to the instructions in §5.1 and §5.2.



5.6 End of use

At end of life, you need to dispose of your wheelchair according to the local environmental legislation. The best way to do so, is to disassemble the wheelchair to facilitate the transport of recyclable parts.

6 Troubleshooting

 **WARNING** Risk of injuries and damage to the operating console or wheelchair

- NEVER attempt to repair the operating console yourself.
- For failures of the operating console, you need to contact your specialist dealer. He/She decides if the console needs to be reprogrammed.

In case of a possible problem, a system code is displayed by the blinking LEDs of the battery status indicator, see §3.3 (2). The following table summarises the possible system codes. Some problems can be solved by yourself. For all problems marked in grey, consult your specialist dealer.

Table 2: Troubleshooting

Code	Problem	Meaning
1	Empty battery / bad connection to battery	Check the connections to the batteries. If the connections are good, try charging the batteries.
2	Bad connection of left motor or encoder	Check the connections to the left hand motor and encoder.
3	Faulty wiring on left hand motor / stall condition	
4	Bad connection of right motor or encoder	Check the connections to the right hand motor and encoder.
5	Faulty wiring on right hand motor / stall condition	
7	Joystick fault	Make sure that the joystick is in the centre position before switching on the controller.
7 + S ¹	Communication fault	Make sure that the joystick module cable is securely connected and not damaged.
8	Possible controller fault	Make sure that all connections are secure.
9	Parking brake bad connection	Check the parking brake and motor connections. Make sure the controller connections are secure.
10	Excessive voltage	Excessive voltage is usually caused by a poor battery connection. Check the battery connections.

¹S = Flashing Speed Indicator LEDs.

7 Technical specifications

The technical details below are only valid for this wheelchair, at standard settings and optimal ambient conditions. Take these details into account during use. The values are no longer applicable if your wheelchair has been modified, damaged, or is severely worn. Be aware that the driving performance is influenced by ambient temperature, humidity, slopes (driving up/down), type of surface and battery status.

Table 1: Technical specifications

Brand	Vermeiren
Type	Electric wheelchair, Class A
Model	Plego
Maximum occupant mass	130 kg

Description	Dimensions
Overall length with leg rest	1000 mm
Overall width	595 mm
Overall height	980 mm
Folded length	450 mm
Folded width	595 mm
Folded height	980 mm
Total mass	24,5 kg
Energy consumption *	12,8 Ah: 15 km 17,5 Ah: 21 km
Rated slope	10°
Obstacle climbing	15 mm
Maximum speed forward	6 km/h
Max. braking distance from max. speed	1 m
Seat plane angle	5 °
Effective seat depth	430 mm
Effective seat width	450 mm
Seat surface height at front edge	530 mm
Backrest angle	5 °
Backrest height	460 mm
Footrest to seat distance	440 – 460 mm
Leg to seat surface angle	81 °
Armrest to seat distance	195 mm
Front location of armrest structure	404 mm
Minimum turning radius	1145 mm
Ground clearance	65 mm
Diameter rear wheels	12"
Type of rear wheels **	PU tyres
Diameter front wheels	200x50
Type of front wheels **	PU tyres



Brand	Vermeiren
Type	Electric wheelchair, Class A
Model	Plego
Maximum occupant mass	130 kg

Electrical description	
Battery	12,8 Ah 17,5 Ah
Driving motors	2 x 250W
Blow fuse	20 A
Strength tests according to	ISO 7176-8
Tests of power and control system according to	ISO 7176-14
Ignitability of upholstery according to	EN1021-2:2006
EMC compliance	ISO 7176-21
Degree of protection	IPX4
Noise level	< 65 dB (A)
Storage and use temperature	+5 °C ~ +41 °C
Operating temperature for electronics	-10°C ~ +40°C
Storage and use humidity	30% ~ 70%

We reserve the right to introduce technical changes. Measurement tolerance ± 15 mm / 1,5 kg / 1,5° .

*** The theoretical driving distance will be reduced if the wheelchair is used frequently on slopes, rough ground or to climb curbs.**

****Since different tyres may be used, please note the correct operating pressure of the tyres you use. For other tyre diameters refer to your specialist dealer.**

Table des matières

Table des matières	1
Avant-propos	2
1 Votre produit	3
1.1 Options.....	3
2 Avant l'utilisation	4
2.1 Usage prévu.....	4
2.2 Consignes générales de sécurité.....	4
2.3 Les symboles sur le fauteuil roulant.....	5
2.4 Transport.....	5
2.5 Plier/déplier	6
2.6 Première utilisation et stockage	7
3 Utilisation de votre fauteuil roulant	8
3.1 Première utilisation.....	8
3.2 Rouler à l'extérieur.....	8
3.3 Console de commande	9
3.4 Frein et levier de déblocage.....	11
3.5 Se déplacer du/vers le fauteuil roulant.....	11
3.6 Réglages de confort.....	12
3.7 État de la batterie et recharge.....	12
3.8 Mise en marche et arrêt de l'appareil électrique.....	14
3.9 Montage/démontage de la batterie	14
4 Installation et réglages	15
4.1 Outils.....	15
4.2 Mode de livraison.....	15
4.3 Réglage du repose-pieds	15
5 Entretien	16
5.1 L'entretien	16
5.2 Instructions d'entretien	17
5.3 Résolution des problèmes.....	17
5.4 Durée de vie attendue.....	18
5.5 Réutilisation	18
5.6 Mise au rebut	18
6 Résolution des problèmes	19
7 Caractéristiques techniques	20

Avant-propos

Félicitations ! Vous êtes à présent propriétaire d'un fauteuil roulant Vermeiren !

Ce fauteuil roulant a été fabriqué par un personnel qualifié et responsable. Il a été conçu et produit conformément aux normes de qualité élevées appliquées par Vermeiren.

Merci de la confiance que vous accordez aux produits de Vermeiren. Ce manuel est destiné à vous aider dans l'utilisation de ce fauteuil roulant et de ses options de fonctionnement. Veuillez le lire attentivement. Vous pourrez ainsi vous familiariser avec le fonctionnement, les capacités et les limites de votre fauteuil roulant.

Si vous avez encore des questions après la lecture de ce manuel, n'hésitez pas à prendre contact avec votre revendeur spécialisé. Il vous aidera volontiers.

Remarque importante

Pour assurer votre sécurité et prolonger la durée de vie de votre produit, prenez-en grand soin, et faites-le contrôler et entretenir régulièrement.

Ce manuel est le reflet des derniers développements du produit. Vermeiren a le droit d'apporter des modifications à ce type de produit sans être tenu d'adapter ou de remplacer des produits similaires fournis précédemment.

Les images sont fournies afin de clarifier les instructions de ce manuel. Les détails du produit illustré peuvent diverger de votre produit.

Informations disponibles

Sur notre site Internet <http://www.vermeiren.com/>, vous trouverez toujours la version la plus récente des informations suivantes. Veuillez consulter régulièrement ce site Internet pour connaître les éventuelles mises à jour.

Les personnes malvoyantes peuvent télécharger la version électronique de ce manuel et la lire au moyen d'une application de texte-parole.



Ce manuel d'utilisation
Pour l'utilisateur et le revendeur spécialisé



Manuel d'entretien des fauteuils roulants
Pour le revendeur spécialisé



Déclaration de conformité CE

1 Votre produit



- | | |
|-------------------------|--|
| 1. Dossier | 7. Roues avant |
| 2. Console de commande | 8. Roues arrière / Roues motrices avec moteurs |
| 3. Accoudoir | 9. Batterie |
| 4. Siège | 10. Plaque d'identification |
| 5. Repose-pieds | |
| 6. Palette repose-pieds | |

1.1 Options

Prenez contact avec votre revendeur spécialisé pour connaître les options possibles. Il vous conseillera volontiers.


2 Avant l'utilisation

2.1 Usage prévu

Ce paragraphe vous donne une brève description de l'usage prévu de votre fauteuil roulant. Des avertissements pertinents ont également été ajoutés aux instructions dans les autres paragraphes. Nous aimerions ainsi attirer votre attention sur un usage inapproprié éventuel qui pourrait survenir.

- Ce fauteuil roulant convient à un usage à l'intérieur et à l'extérieur.
- Ce fauteuil roulant est conçu et fabriqué uniquement pour le transport d'une (1) personne d'un poids maximum de 130 kg. Il n'est pas destiné au transport de marchandises ou d'objets, ni à tout autre usage que celui décrit précédemment.
- Il peut être commandé par l'utilisateur assis dans le fauteuil roulant ou être poussé par un accompagnateur. Vous ne devez PAS utiliser ce fauteuil roulant sans accompagnateur si vous souffrez de handicaps physiques ou mentaux qui pourraient vous mettre, vous-même ou d'autres personnes, en danger pendant la conduite. C'est pourquoi vous devez d'abord consulter votre médecin et vous assurer que votre revendeur spécialisé est informé de cet avis.
- Utilisez uniquement des accessoires et des pièces de rechange approuvés par Vermeiren.
- Consultez également les détails techniques et les limites de votre fauteuil roulant au chapitre 7.
- La garantie sur ce produit est basée sur une utilisation et un entretien normaux, tels que décrits dans le présent manuel. Les dommages à votre produit dus à un usage inapproprié ou à un manque d'entretien auront pour effet d'annuler la garantie.

2.2 Consignes générales de sécurité

 ATTENTION Risques de dommages corporels ou matériels

Veillez lire et suivre les instructions stipulées dans le présent manuel d'utilisation. Autrement, vous pourriez vous blesser ou votre fauteuil roulant pourrait être endommagé.

Tenez compte des avertissements généraux suivants pendant l'emploi :

- N'utilisez pas votre fauteuil roulant si vous êtes sous l'influence de l'alcool, de médicaments ou d'autres substances qui peuvent influencer vos capacités de conduite.
- N'oubliez pas que certaines parties de votre fauteuil roulant peuvent devenir très chaudes ou très froides en fonction de la température ambiante, des rayons du soleil, de dispositifs de chauffage ou du moteur d'entraînement pendant l'utilisation. Faites par conséquent attention lorsque vous les touchez. Portez des vêtements de protection s'il fait froid. Après utilisation, attendez jusqu'à ce que le fauteuil roulant/moteur soit refroidi.
- Avant de démarrer le fauteuil roulant, prenez conscience de l'environnement/situation où vous vous trouvez. Adaptez-y votre vitesse avant de démarrer. Nous vous conseillons d'utiliser la vitesse la plus basse pour rouler à l'intérieur. Dans le cadre d'un usage à l'extérieur, vous pouvez passer à une vitesse appropriée dans laquelle vous vous sentez à l'aise et en sécurité.
- Tenez TOUJOURS compte du fait que votre fauteuil roulant peut s'arrêter brutalement en raison d'une batterie déchargée ou d'une sécurité qui empêche tout dégât supplémentaire au fauteuil roulant. Vérifiez également les causes possibles mentionnées au § 5.3. Mettez votre ceinture de sécurité pour éviter les blessures.
- Votre fauteuil roulant a subi un test de conformité électromagnétique et est conforme à cette norme, cf. chapitre 7. Les sources de champ magnétique, comme les téléphones mobiles, les générateurs électriques ou de sources d'énergie à haute puissance, peuvent cependant influencer la performance de conduite de votre fauteuil électrique. L'électronique de votre fauteuil électrique peut à son tour également affecter d'autres appareils électroniques comme

les systèmes d'alarme des magasins et les portes automatiques. Nous vous recommandons par conséquent de vérifier si votre fauteuil roulant ne présente pas de dommage ou d'usure qui pourrait encore augmenter l'interférence (cf. également le chapitre 5).

- Roulez uniquement sur des surfaces planes où les deux roues motrices touchent le sol et où il y a un contact suffisant pour utiliser le fauteuil roulant prudemment.
- Ne réalisez pas de modifications ou de remplacements aux points d'attache du fauteuil roulant ou aux composants ou éléments du châssis et de la structure sans consulter le fabricant du fauteuil roulant.
- Assurez-vous que vos mains, vêtements, ceintures, boucles ou bijoux ne puissent pas se coincer dans les roues ou dans d'autres parties mobiles pendant l'utilisation.

Sachez que votre fauteuil roulant peut interférer avec certains types de systèmes antivol, en fonction des réglages utilisés. Cela peut provoquer le déclenchement de l'alarme du magasin.

Tout incident grave [MDR (EU) 2017/745 §2 (65)] survenu en relation avec le dispositif doit être signalé au fabricant et à l'autorité compétente de l'État membre dans lequel l'utilisateur et/ou le patient est établi.

2.3 Les symboles sur le fauteuil roulant

Les symboles de la liste suivante concernent votre fauteuil roulant. Vous trouverez les symboles dans les normes ISO correspondantes (ISO 7000, ISO 7001 et CEI 417).



Poids maximum de l'utilisateur en kg



Usage à l'intérieur uniquement (chargeur de batterie)



Déclivité sûre maximale en ° (degrés).



Vitesse maximale



Indication du type



Risque de coincement

2.4 Transport

ATTENTION

Risque de dommages

Prenez des mesures pour protéger le fauteuil roulant contre tout endommagement pendant le transport.

2.4.1 Dégagement de l'espace

Utilisez la console de commande pour entraîner le fauteuil roulant à sa destination.

Vous pouvez également mettre le fauteuil roulant en mode déblocage (cf. §3.4) et utiliser la barre de poussée pour le déplacer.

2.4.2 Transport par avion

Lorsque vous transportez le fauteuil roulant par avion, verrouillez et débranchez la batterie avant de le remettre au personnel de l'aéroport (cf. §3.9 et §3.8). La batterie peut rester dans le fauteuil roulant. Consultez votre compagnie aérienne pour connaître la procédure à suivre.

2.4.3 Transport par véhicule, comme bagage

La meilleure façon de transporter votre fauteuil roulant électrique dans la voiture est de le plier et de le soulever pour l'introduire dans la voiture.

1. En tant qu'utilisateur du fauteuil roulant, réalisez le transfert vers un siège du véhicule, cf. §3.5.
2. Retirez toutes les pièces mobiles avant le transport (sacs, appuie-tête, etc.).
3. Rangez les parties mobiles en toute sécurité derrière le siège passager ou dans le coffre.
4. Pliez le fauteuil roulant (cf. §2.5) et soulevez le fauteuil roulant pour l'introduire dans la voiture (si nécessaire, avec l'aide de 2 personnes) en saisissant les parties fixes du châssis.
5. Attachez solidement les parties solides du châssis dans le véhicule.
6. Placez le fauteuil roulant en mode conduite (en enclenchant les freins de stationnement) et vérifiez que la console de commande est éteinte.

2.5 Plier/déplier



ATTENTION

Risque de dommages corporels

- Veillez à ne pas vous coincer les doigts, des vêtements ou des boucles lorsque vous pliez/dépliez le fauteuil roulant.

Pour déplier le fauteuil roulant électrique :

1. Éteignez le fauteuil roulant.
2. Placez le fauteuil roulant à la verticale sur les roues d'appui (1).
3. Écartez le siège et le dossier pour déplier le châssis jusqu'à ce que le support (2) s'enclenche. Assurez-vous que le support de verrouillage est bien verrouillé.
4. Placez le fauteuil roulant sur les roues arrière et avant.
5. Dépliez les accoudoirs (3) jusqu'à ce qu'ils s'enclenchent.
6. Dépliez le repose-pieds (4).
7. Montez toutes les options qui ont été retirées pour le transport.
8. Le fauteuil roulant est maintenant prêt à être utilisé.

Pour plier le fauteuil roulant électrique :

1. Éteignez le fauteuil roulant.
2. Retirez toutes les options amovibles.
3. Assurez-vous que le fauteuil roulant est en mode déblocage (cf. §3.4).
4. Appuyez sur les boutons (5) des accoudoirs et rabattez les accoudoirs (3) vers l'arrière.
5. Déverrouillez le châssis en appuyant sur le support (2).
6. Saisissez le dossier et l'armature du siège et pressez-les l'un contre l'autre. Veillez à ce que le fauteuil roulant soit stable et se tienne bien droit sur les roues d'appui (1).
7. Pliez le repose-pieds (4) sur la batterie.
8. Si les accoudoirs dépassent, réglez-les dans une position plus compacte, près du châssis.



2.6 Première utilisation et stockage



ATTENTION

Risque d'endommagement de la batterie

- Ne déchargez jamais complètement la batterie.
- N'interrompez pas le cycle de recharge ; débranchez uniquement le chargeur de batterie lorsque la batterie est complètement chargée.
- Assurez-vous que votre fauteuil roulant est entreposé dans un endroit sec pour éviter la formation de moisissure et l'endommagement du rembourrage.
- Vérifiez les détails techniques pour le stockage, cf. chapitre 7.


Assurez-vous que la batterie est complètement chargée avant d'utiliser le fauteuil roulant, demandez au revendeur si cela a déjà été fait ou non. Pour recharger, suivez les instructions de recharge au § 3.7.

3 Utilisation de votre fauteuil roulant

 **AVERTISSEMENT** Risque de dommages corporels

- Lisez d'abord les chapitres précédents et informez-vous à propos de l'usage prévu. N'utilisez PAS votre fauteuil roulant sans avoir d'abord lu et bien compris toutes les instructions.
- En cas de doutes ou de questions, n'hésitez pas à prendre contact avec votre revendeur spécialisé local, votre prestataire de soins ou votre conseiller technique qui pourra vous aider.

3.1 Première utilisation


 **ATTENTION** Risque de dommages corporels et matériels

- Tenez toujours compte de l'amplitude du repose-pieds et de la console de commande pour ne pas blesser les personnes ou endommager les objets aux alentours.
- Débranchez toujours le chargeur de la batterie du fauteuil roulant avant de démarrer.

- i**
- Assurez-vous d'être bien familiarisé avec le fonctionnement du fauteuil roulant avant de l'utiliser dans des endroits très fréquentés et éventuellement dangereux. Exercez-vous d'abord dans un endroit spacieux et ouvert, avec peu de personnes aux alentours.
 - Examinez les effets d'un déplacement du centre de gravité sur le comportement du fauteuil roulant, par exemple sur des déclivités ascendantes ou descendantes, sur un sol en pente latéralement, ou en surmontant des obstacles. Demandez l'aide d'un accompagnateur.
 - La surface du dispositif de commande chauffe légèrement pendant l'emploi.
 - Lors de la marche arrière, la vitesse est réduite.

1. Assurez-vous que :
 - le fauteuil roulant est sur une surface plane ;
 - la batterie est complètement chargée, cf. §3.7 ;
 - Le moteur est couplé, cf. §3.4 ;
 - le fauteuil roulant est adapté à vos besoins et à votre confort, cf. §3.6 ;
 - vous avez la bonne position assise, cf. §3.5.
2. Suivez les instructions du manuel de la console de commande.
3. Mettez le fauteuil roulant en marche.
4. Tournez la commande sur la vitesse minimale.
5. Exercez-vous à conduire et réalisez les réglages au fauteuil roulant.
6. Quand vous vous sentirez suffisamment à l'aise, essayez de rouler à une vitesse plus élevée.
7. Essayez ensuite de tourner, en marche avant et en marche arrière. Répétez ces manœuvres quelques fois.
8. Assurez-vous que votre fauteuil roulant est bien stable quand vous arrêtez la course.
9. Éteignez le fauteuil roulant.


3.2 Rouler à l'extérieur

 **AVERTISSEMENT** Risque d'accident - Adaptez votre comportement de conduite et votre vitesse.

- Respectez le code de la route, il peut différer d'un pays à l'autre. Ceci est valable pour la conduite sur les trottoirs, les routes ou les chaussées pavées ou non-pavées.
- Ne roulez pas sur des routes où le trafic est dense.
- Tenez compte des conditions climatiques. Évitez de rouler par temps humide, chaleur extrême, neige, verglas et températures inférieures à zéro. Cf. les spécifications techniques au chapitre 7.
- Assurez-vous d'être bien visible, également pendant les heures de clarté, en utilisant des vêtements fluorescents ou votre propre éclairage à l'avant et à l'arrière du fauteuil roulant.

- Tenez compte des autres usagers de la route pour qui votre fauteuil roulant peut constituer un obstacle. Accordez une attention spéciale au moment de tourner et de reculer. Si vous n'êtes pas habitué à rouler en marche arrière, exercez-vous d'abord dans un endroit dégagé. Indiquez la direction que vous avez l'intention de prendre avant de tourner.
- Essayez de rouler tout droit dans les passages étroits pour éviter de vous coincer.
- Tenez compte de la distance de freinage. N'oubliez pas que la distance de freinage dépend de la vitesse, de la surface, des conditions climatiques et du poids de l'utilisateur.

3.2.1 Prenez garde aux pentes, bordures, obstacles ou rampes

 ATTENTION Risque de blessures en cas de mouvement inattendu

- Attachez votre ceinture de sécurité lorsque vous êtes assis dans le fauteuil roulant.
 - Faites attention si la route est sablonneuse, si le sol est mou, et aux trous ou aux fissures dans la route qui peuvent coincer les roues ou diminuer la traction des roues motrices.
 - Ne roulez PAS sur des pentes, des obstacles, des marches ou des bordures plus larges que la dimension décrite dans les spécifications techniques au chapitre 7.
 - Abordez toujours un trottoir par l'avant.
 - Ne mettez pas votre fauteuil roulant en mode déblocage dans une pente. Le fauteuil roulant peut commencer à se déplacer et vous blesser, vous ou les personnes aux alentours.
 - N'utilisez pas votre fauteuil roulant dans un escalator ou dans des escaliers.
 - Utilisez uniquement les rampes approuvées par Vermeiren et ne dépassez pas leur charge maximale.
 - Pour franchir des obstacles ou des pentes en toute sécurité, mettez le fauteuil roulant en position relevée.
- i** Lorsque vous vous arrêtez dans une pente, le frein sera automatiquement actionné pour empêcher le fauteuil roulant d'avancer ou de reculer.

ATTENTION Risque de dommages

- Stationnez toujours votre fauteuil roulant électrique sur des surfaces horizontales planes et à des endroits facilement accessibles.
- Si nécessaire, accélérez légèrement le fauteuil roulant pour monter une pente, un obstacle, un trottoir ou une rampe. Prenez garde au danger de recul.
- Assurez-vous que le fauteuil roulant ne touche pas le sol ou la rampe lors de l'inclinaison.
- Il faut savoir que la distance de freinage en descente peut être nettement plus importante que sur un terrain plat.

Procédure

- Commencez à conduire selon les instructions du § 3.1, étape 1.
- Pour monter ou descendre le fauteuil roulant en cas d'escaliers/marches, utilisez un équipement de levage ou une rampe. Si ceux-ci ne sont pas disponibles, il peut être soulevé manuellement par au moins deux personnes, saisissant le châssis fermement des deux mains. N'utilisez pas le dossier, la (les) palette(s) repose-pied(s), les accoudoirs, ou encore les roues pour saisir le fauteuil roulant.
- Prenez garde aux obstacles ou aux pentes :
 1. Réglez le fauteuil roulant à sa position la plus stable, cf. § 3.5.
 2. Roulez le plus lentement possible pour gérer l'obstacle ou la pente.

3.3 Console de commande

- i** Mettez le joystick en position neutre (au centre) avant d'appuyer sur le bouton marche/arrêt pour ne pas bloquer l'électronique. Pour débloquer, éteignez et allumez la console de commande.

1. Bouton Marche/Arrêt
2. Indicateur de charge de la batterie
3. Indicateur de vitesse
4. Klaxon
5. Bouton de diminution de la vitesse
6. Bouton d'augmentation de la vitesse
7. Joystick



3.3.1 Protections techniques

Pour votre propre sécurité, et éviter que le fauteuil roulant ne soit endommagé, les mouvements sont surveillés par l'électronique. Cela peut entraîner une diminution de la vitesse ou un arrêt complet.

- Pour éviter une décharge accidentelle de la batterie, votre fauteuil roulant est équipé d'un système d'arrêt automatique. Ce système éteint la console automatiquement lorsqu'elle n'est pas utilisée pendant une période prolongée. Si cela se produit, rallumez simplement votre console.
- Assurez-vous que le levier de déblocage est en position de freinage AVANT de mettre le fauteuil roulant en MARCHÉ. Les freins électromagnétiques ne fonctionnent PAS si le fauteuil roulant est en mode déblocage. Cela est indiqué sur la console de fonctionnement. La conduite est impossible.

3.3.2 Conduite


1. Appuyez sur le bouton Marche/Arrêt (1) pour mettre le fauteuil roulant en marche.
2. Si les voyants de l'indicateur de charge de la batterie (2) et de l'indicateur de vitesse (3) s'allument, le fauteuil roulant est sous tension et prêt à fonctionner.
3. Vérifiez l'indicateur d'état de la batterie. Chargez la batterie si nécessaire (cf. §3.7).
4. Réglez la vitesse de conduite : diminuez la vitesse avec le bouton de diminution de la vitesse (5), ou augmentez la vitesse avec le bouton d'augmentation de la vitesse (6).
5. Commencez à faire bouger le fauteuil roulant en actionnant doucement le joystick vers l'avant/arrière.
6. La vitesse augmentera lorsque vous éloignerez le joystick du centre.
7. Pour tourner à gauche ou à droite, poussez le joystick vers la gauche ou la droite.
8. Pour freiner, déplacez le joystick en position neutre.
9. Appuyez sur le klaxon (4) pour alerter les autres usagers de la route si nécessaire.
10. Après l'arrivée, vérifiez l'état de la batterie et appuyez sur le bouton Marche/Arrêt pour éteindre le fauteuil roulant.
11. Chargez la batterie si nécessaire.

3.4 Frein et levier de déblocage



ATTENTION

Risque de dommages corporels ou matériels

- N'actionnez le levier de déblocage que lorsque votre fauteuil roulant est à l'ARRÊT ! Un accompagnateur doit actionner le levier de déblocage. Ne l'actionnez JAMAIS en position assise.
- N'utilisez pas le mode déblocage dans les pentes et inclinaisons, cf. le symbole sur le moteur. 

i Assurez-vous que le levier de déblocage est en position de freinage AVANT de mettre le fauteuil roulant en MARCHE. Les freins électromagnétiques ne fonctionnent PAS si le fauteuil roulant est en mode déblocage. Cela est indiqué sur la console de fonctionnement. La conduite est impossible.

Votre fauteuil est équipé de freins électromagnétiques. Le fonctionnement des freins dépend de la position du levier de déblocage (1).

Les freins EM ne fonctionnent automatiquement **que si** le levier de déblocage (1) est en position de freinage. Dans cette situation, les freins commencent à freiner si :

- le fauteuil roulant est ÉTEINT ;
- le fauteuil roulant est ALLUMÉ et le joystick est libéré.

Libérer le joystick permet au fauteuil roulant de s'arrêter en douceur et active les freins.

Fonctionnement du levier de déblocage :



- Tournez le levier VERS LE HAUT pour mettre le fauteuil roulant en mode déblocage. Le moteur est alors déconnecté. Le fauteuil roulant peut être déplacé manuellement.



- Tournez les leviers VERS LE BAS pour connecter le moteur à l'entraînement. Ceci doit être effectué avant de démarrer le fauteuil roulant.



3.5 Se déplacer du/vers le fauteuil roulant



ATTENTION

Risque de dommages corporels ou matériels

- Si vous ne pouvez pas réaliser le transfert de manière sûre, demandez à quelqu'un de vous aider.
- Ne vous reposez pas sur la ou les palettes repose-pieds pendant le transfert de ou vers le fauteuil roulant.

Transfert

1. Positionnez le fauteuil roulant aussi près de vous que possible lorsque vous êtes assis sur une chaise, un fauteuil, un siège ou un lit.
2. Actionnez les freins en tournant le levier de déblocage en position de freinage, cf. § 3.4.
3. Repliez la ou les palettes repose-pieds vers le haut pour éviter de vous appuyer sur elles.
4. Si nécessaire, rabattez un accoudoir pour faire de la place, cf. §2.5.
5. Faites le transfert du ou vers le fauteuil roulant à la force de vos bras, ou avec l'aide d'un ou plusieurs accompagnateurs ou d'un équipement de levage.

S'asseoir sur le fauteuil roulant

1. Asseyez-vous sur le siège, le bas du dos contre le dossier.
2. Abaissez la ou les palettes repose-pieds et mettez-y les pieds.
3. Dépliez l'accoudoir, le cas échéant.

Régler en position stable

Pour le transport et quand vous devez franchir des obstacles, le fauteuil roulant doit être réglé pour maximiser sa stabilité :

- Dossier vertical
- Repose-pieds replié

3.6 Réglages de confort



ATTENTION

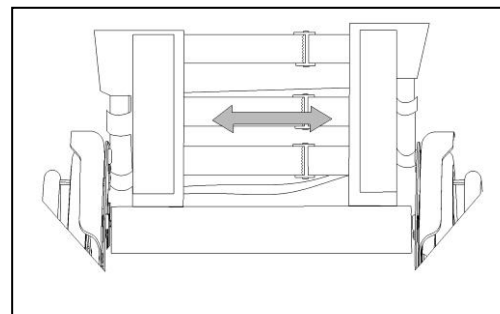
Risque de dommages corporels ou matériels

- Les réglages de confort suivants peuvent être effectués par l'accompagnateur ou le personnel soignant. Tous les autres réglages sont effectués par votre revendeur spécialisé, conformément aux instructions d'installation, cf. l'avant-propos.
- Veiller à ne pas vous coincer les doigts, des vêtements ou des boucles pendant le réglage.

3.6.1 Support de dossier

Le dossier du fauteuil roulant est doté d'un système de suspension avec des bandes Velcro ajustables, pour régler la flexibilité du dossier.

1. Tirez le coussin de dossier des sangles Velcro du dossier.
2. Desserrez les bandes Velcro.
3. Tirez la bande respectives dans la position souhaitée.
La tension des ceintures individuelles peut varier et le support souhaité du dossier peut être réglé.
4. Remettez le coussin pour le dos sur le dossier en commençant par l'avant et en terminant par l'arrière.
5. Fermez les raccords en Velcro en pressant à la main le coussin contre le dossier.
6. Assurez-vous que toutes les sangles sont bien attachées avec le Velcro.



3.7 État de la batterie et recharge



AVERTISSEMENT

Risque de blessures et de dommages dus au feu

- Utilisez uniquement le chargeur de batterie fourni avec le fauteuil roulant. L'utilisation de tout autre chargeur peut être dangereuse (risque d'incendie).
- Le chargeur de batterie est uniquement destiné à la charge des batteries fournies avec le fauteuil roulant, et non à celle d'autres batteries.
- N'apportez aucune modification aux différentes pièces, comme les câbles, prises ou chargeur de batterie. N'ouvrez et ne changez jamais la batterie ou les points de raccordement.
- Protégez la batterie et son chargeur des flammes, des températures élevées et basses (cf. chapitre 7), de l'humidité, des rayons du soleil et des chocs importants (par exemple chute). N'utilisez PAS la batterie si cela a été le cas.
- Chargez la batterie au moyen du chargeur, à l'intérieur, dans un espace bien aéré et hors de la portée des enfants.

ATTENTION

Risque de dommages

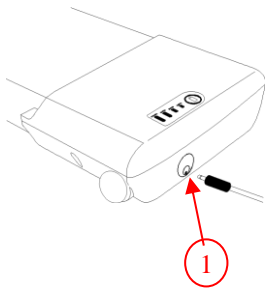
- L'autodécharge de la batterie et le courant de repos des utilisateurs connectés videront lentement la batterie. La batterie peut subir des dommages irréversibles si elle est entièrement déchargée. Assurez-vous par conséquent de la recharger à temps (cf. 3.7).
- Lisez les instructions de stockage et d'entretien au chapitre 5 et les détails techniques au chapitre 7.
- Ne rechargez pas les batteries en dessous de 0 °C. Déplacez la batterie à un endroit plus chaud et démarrez la recharge.
- Débarrassez le point de raccordement de la batterie de toute poussière et autre contamination.
- En cas de problème empêchant la charge de la batterie conformément à ces instructions, veuillez prendre contact avec votre revendeur spécialisé.

Pour toute information sur l'indication de l'état de la batterie, veuillez lire le § 3.7.

- i** Il est recommandé de débrancher le chargeur de la batterie du secteur quand il n'est pas utilisé. Ceci afin d'empêcher toute consommation d'énergie inutile.

Vérifiez toujours que la batterie n'est pas endommagée avant de la charger. Appuyez sur le bouton indicateur de charge pendant 2 secondes pour mettre la batterie en marche. Si aucun voyant de l'indicateur de charge ne s'allume, la batterie est peut-être endommagée. Si au moins un des voyants de l'indicateur de charge est allumé, mais pas tous, chargez complètement la batterie avant de l'utiliser pour la première fois.

Ne chargez pas et n'utilisez pas une batterie endommagée, prenez contact avec votre revendeur spécialisé.



Pour garantir la pleine capacité de la batterie, chargez-la complètement à l'aide du chargeur avant de l'utiliser pour la première fois. La batterie peut être rechargée à tout moment sur le fauteuil roulant ou lorsqu'elle est retirée du fauteuil.

Instructions pour recharger la batterie :

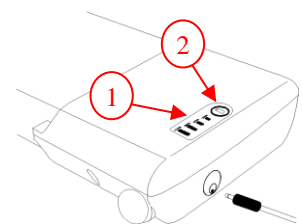
1. Éteignez la batterie.
 2. Si vous le souhaitez, retirez la batterie de son logement en évitant que des saletés ou des liquides ne pénètrent dans la prise de charge.
 3. Branchez la fiche du chargeur sur le bloc-batterie ①.
 4. Branchez la fiche secteur du chargeur dans la prise murale.
5. Le voyant du chargeur de batterie indique l'état du processus de charge :
- Rouge - Chargement
 - Vert - Veille / Chargement complet
6. Lorsque la batterie est complètement chargée, retirez le chargeur de la prise murale et de la batterie.

3.7.1 Indicateur de charge de la batterie

Il y a deux indicateurs de charge de la batterie :

Sur le bloc-batterie :

1. Appuyez sur le bouton ② du bloc-batterie.
2. Les voyants de l'indicateur de charge de la batterie ① indiquent le niveau de charge de la batterie.



Console de l'opérateur :



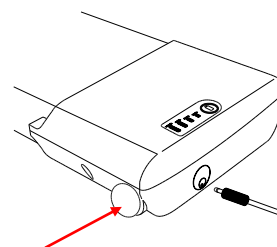
Lorsque le système électrique est allumé, l'indicateur de batterie (2, §3.3) affiche le niveau de charge de la batterie.

- Tous les voyants sont allumés : la batterie est entièrement chargée.
- Seul le voyant rouge est allumé ou clignote : rechargez immédiatement la batterie.

En raison du câblage, les deux indications peuvent varier légèrement. Dans ce cas, prenez l'indication du niveau de charge le plus défavorable.

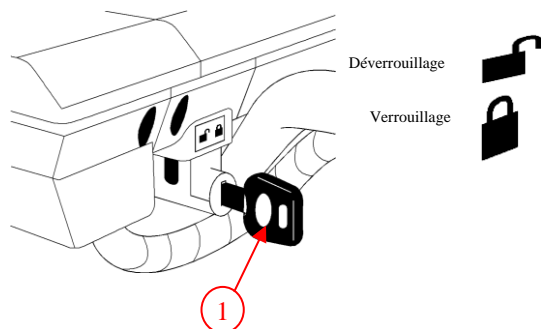
3.8 Mise en marche et arrêt de l'appareil électrique

Appuyez sur l'interrupteur marche/arrêt situé sur le côté de la batterie.



3.9 Montage/démontage de la batterie

La batterie peut être retirée pour être rechargée facilement en dehors du fauteuil roulant.



Pour monter la batterie :

1. Placez la clé ① et tournez-la vers le symbole de déverrouillage.
2. Placez la batterie dans son logement le plus loin possible. Il n'y a qu'une seule façon possible d'insérer la batterie.
3. Tournez la clé ① jusqu'au symbole de verrouillage.
4. Assurez-vous que la batterie est bien fixée.
5. Retirez la clé ①. (Ne retirez jamais la clé pendant la conduite).


Pour retirer la batterie :

1. Placez la clé ①.
2. Tournez la clé ① jusqu'au symbole de déverrouillage.
3. Retirez doucement la batterie de son logement.

4 Installation et réglages

Les instructions fournies dans le présent chapitre sont destinées au revendeur spécialisé.

Adressez-vous à l'établissement Vermeiren le plus proche de chez vous pour trouver un point service ou un revendeur spécialisé dans votre région.

 **AVERTISSEMENT** Risque de dommages corporels et matériels

- Utilisez uniquement les paramètres décrits dans ce manuel.

4.1 Outils

Pour régler le fauteuil roulant, les outils suivants sont nécessaires :

- Clés Allen n° 4
- Clé à molette n° 10

4.2 Mode de livraison

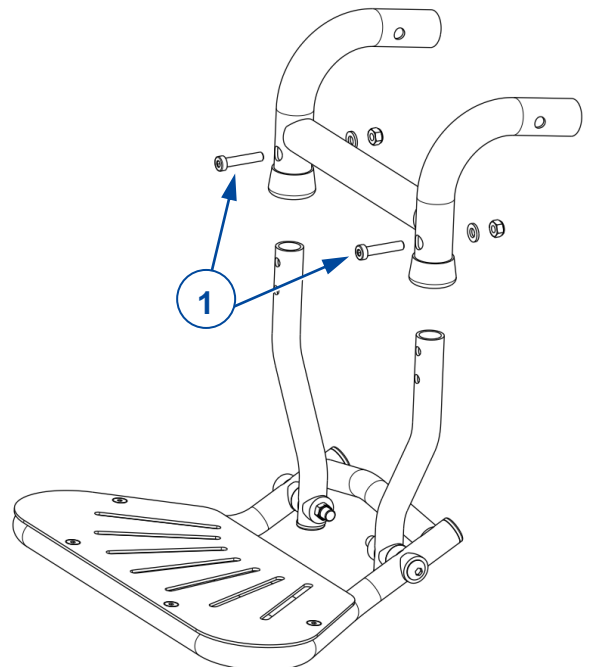
La livraison du fauteuil Vermeiren Plego comprend :

- 1 châssis avec accoudoirs, roues arrière et avant, repose-pieds
- Outils
- Manuel
- Accessoires (en option)

4.3 Réglage du repose-pieds

La longueur du repose-pieds peut être réglée à 2 positions, (par pas de 20 mm) :

1. Retirez les vis et les écrous (1).
2. Réglez le repose-pieds à la longueur souhaitée.
3. Resserrez les vis et les écrous.



5 Entretien

5.1 L'entretien



ATTENTION

Risque de dommages corporels et matériels

Les réparations et les remplacements ne peuvent être réalisés que par des personnes formées, et seules des pièces de rechange d'origine de Vermeiren peuvent être utilisées.

i La dernière page de ce manuel contient un formulaire d'enregistrement pour permettre au revendeur spécialisé de consigner chaque entretien.

La fréquence d'entretien dépend de la fréquence et de l'intensité de l'utilisation. Prenez contact avec votre revendeur pour convenir d'un rendez-vous pour une inspection/un entretien/une réparation.

Lisez le manuel d'utilisation du chargeur de batterie concernant l'entretien.

Pour le manuel d'entretien, consultez le site Web de Vermeiren : www.vermeiren.com.

Avant chaque utilisation

Inspectez les points suivants :

- Toutes les pièces : sont présentes, non endommagées et non usées.
- Toutes les pièces : sont propres, cf. § 5.2.2.
- Les roues, siège, accoudoirs, repose-pieds et appuie-tête (le cas échéant) : bien fixés.
- État de la batterie : chargez la batterie lorsque nécessaire, cf. §3.7.
- Console de commande, batterie, module d'alimentation, moteurs, chargeur de batterie, éclairage et câbles pertinents : aucun dommage, comme des fils effilochés, cassés ou dénudés.
- État des roues/pneus, cf. § 5.2.1.
- État des éléments du châssis : pas de déformation, d'instabilité, de faiblesse ou de raccords lâches.
- Siège, dossier, manchettes, repose-jambes et appuie-tête (le cas échéant) : pas d'usure excessive (comme des bosses, dégâts ou déchirures).

Prenez contact avec votre revendeur spécialisé pour les réparations et les remplacements de pièces éventuels.

Chaque mois

Si votre fauteuil roulant est entreposé pendant une période prolongée, vous devez quand même charger la batterie tous les mois. Il est également possible de laisser le chargeur de la batterie connecté à la batterie et au secteur pendant cette période. Pour de plus amples informations, cf. § 3.7.

Chaque année ou plus souvent

Faites inspecter et entretenir votre fauteuil roulant par votre revendeur spécialisé, au moins une fois par an, ou plus souvent. La fréquence d'entretien minimale dépend de l'usage et doit être déterminée de commun accord avec votre revendeur spécialisé.

En cas d'entreposage

Assurez-vous que votre fauteuil roulant est entreposé dans un environnement au sec pour éviter la formation de moisissure et l'endommagement du rembourrage.

5.2 Instructions d'entretien

5.2.1 Roues et pneus

i Un fonctionnement correct des freins dépend de l'état des pneus, qui peut changer en raison de l'usure et de la contamination (eau, huile, boue, etc.).

- Éliminez les fils, cheveux, le sable et les fibres de vos roues.
- Vérifiez le profil des pneus. Si la profondeur de la sculpture est inférieure à 1 mm, les pneus doivent être remplacés. Prenez contact avec votre revendeur spécialisé à ce propos.

5.2.2 Nettoyage

ATTENTION

Risque de dommages dus à l'humidité

- Gardez la console de commande propre et protégez-la de l'eau et de la pluie.
- N'utilisez jamais un tuyau ou un nettoyeur à haute pression pour nettoyer le fauteuil roulant.

Essuyez toutes les parties rigides du fauteuil roulant avec un chiffon humide (pas détrempe). Si nécessaire, utilisez un savon doux, approprié pour les laques et les synthétiques.

Le rembourrage peut être nettoyé à l'eau tiède additionnée de savon doux. N'utilisez pas de produits de nettoyage abrasifs.

Gardez les ouvertures de ventilation du chargeur de batterie propres et exemptes de poussière accumulée. Soufflez la poussière et nettoyez l'ouverture du chargeur de la batterie avec un tissu légèrement humide, si nécessaire.

5.2.3 Désinfection

ATTENTION

Risque de dommages

La désinfection ne peut être réalisée que par des personnes qualifiées. Renseignez-vous auprès de votre revendeur spécialisé à cet égard.

5.3 Résolution des problèmes

Même si vous utilisez votre fauteuil roulant de façon appropriée, les problèmes techniques ne sont pas exclus.

Dans un tel cas, prenez contact avec votre revendeur spécialisé local.



AVERTISSEMENT

Risque de blessures et de dommages au fauteuil roulant

- N'essayez JAMAIS de réparer votre fauteuil roulant vous-même.
- Pour les dysfonctionnements de la console de commande, vous devez prendre contact avec votre revendeur spécialisé. Il décidera s'il est nécessaire de reprogrammer la console.

En cas de panne, un code d'erreur s'affiche sur la console de commande, cf. § 6.

Les alertes suivantes peuvent indiquer un problème grave. Par conséquent, prenez toujours contact avec votre revendeur spécialisé si vous détectez l'une des anomalies suivantes :

- Bruit anormal ;
- Faisceaux de câbles effilochés/endommagés ;
- Connecteurs fissurés ou cassés ;
- Usure inégale du profil des pneus ;
- Mouvements saccadés ;
- Le fauteuil roulant dévie d'un côté ;

- Ensembles de roues endommagés ou cassés ;
- Le fauteuil roulant ne s'allume pas (fusible grillé) ;
- Le fauteuil roulant est alimenté mais ne bouge pas, cf. 3.4.

5.4 Durée de vie attendue

La durée de vie moyenne de votre fauteuil roulant est de 5 ans. Selon la fréquence d'utilisation, les circonstances de conduite et d'entretien, la durée de vie de votre fauteuil roulant augmentera ou diminuera.

5.5 Réutilisation

Avant toute réutilisation par une autre personne, faites désinfecter, inspecter et entretenir le fauteuil roulant conformément aux instructions du § 5.1 et du § 5.2.

5.6 Mise au rebut

À la fin de sa durée de vie, votre fauteuil roulant doit être éliminé conformément à la législation environnementale locale. Il est recommandé de démonter le fauteuil roulant afin de faciliter le transport des matériaux recyclables.

6 Résolution des problèmes



Risque de dommages corporels et de dommages matériels à la console de commande ou au fauteuil roulant

- N'essayez JAMAIS de réparer la console de commande vous-même.
- En cas de panne de la console de commande, veuillez prendre contact avec votre revendeur spécialisé. Il décide si la console doit être reprogrammée.

En cas de problème éventuel, un code système est affiché par les voyants de l'indicateur d'état de la batterie qui clignotent, cf. § 3.3 (2). Le tableau suivant résume les codes système possibles. Vous pouvez résoudre certains problèmes vous-même. Pour tous les problèmes indiqués en gris, consultez votre revendeur spécialisé.

Tableau 2 : Résolution des problèmes

Code	Problème	Signification
1	Batterie vide/mauvaise connexion à la batterie	Vérifiez les connexions aux batteries. Si les connexions sont bonnes, essayez de charger les batteries.
2	Mauvaise connexion de l'encodeur ou du moteur gauche	Vérifiez les connexions à l'encodeur et au moteur gauche.
3	Câblage défectueux sur le moteur gauche/décrochage	
4	Mauvaise connexion de l'encodeur ou du moteur droit	Vérifiez les connexions à l'encodeur et au moteur droit.
5	Câblage défectueux sur le moteur droit/décrochage	
7	Erreur du joystick	Assurez-vous que le joystick est en position centrale avant d'allumer le dispositif de commande.
7 + S ¹	Erreur de communication	Assurez-vous que le câble du module de joystick est bien connecté et qu'il n'est pas endommagé.
8	Erreur possible du dispositif de commande	Assurez-vous que tous les raccords sont bien fixés.
9	Mauvaise connexion du frein de stationnement	Vérifiez les connexions du frein de stationnement et du moteur. Assurez-vous que les connexions du dispositif de commande sont bien fixées.
10	Tension excessive	Une tension excessive est généralement due à une mauvaise connexion de la batterie. Vérifiez les connexions de la batterie.

¹S = voyants clignotants de l'indicateur de vitesse.

7 Caractéristiques techniques

Les détails techniques ci-dessous concernent uniquement ce fauteuil roulant, avec des réglages standard et dans des conditions ambiantes optimales. Veuillez tenir compte de ces détails pendant l'utilisation. Les valeurs ne sont plus valables si votre fauteuil roulant a été modifié, endommagé ou présente une usure sérieuse. N'oubliez pas que les performances de conduite sont influencées par la température ambiante, l'humidité, les pentes (en montée ou descente), le type de surface et l'état de la batterie.

Tableau 1 : Caractéristiques techniques

Marque	Vermeiren
Type	Fauteuil roulant électrique, classe A
Modèle	Plego
Poids maximum de l'occupant	130 kg

Description	Dimensions
Longueur hors tout avec repose-jambes	1000 mm
Largeur hors tout	595 mm
Hauteur générale	980 mm
Longueur plié	450 mm
Largeur pliée	595 mm
Hauteur plié	980 mm
Masse totale	24,5 kg
Consommation d'énergie*	12,8 Ah : 15 km 17,5 Ah : 21 km
Pente nominale	10°
Franchissement d'obstacle	15 mm
Vitesse maximale en marche avant	6 km/h
Distance de freinage max. à vitesse max.	1 m
Inclinaison du siège	5°
Profondeur de siège réelle	430 mm
Largeur de siège réelle	450 mm
Hauteur de surface du siège sur le rebord de devant	530 mm
Angle du dossier	5°
Hauteur du dossier	460 mm
Distance entre le repose-pieds et le siège	440 – 460 mm
Angle entre la surface du siège et la jambe	81°
Distance entre l'accoudoir et le siège	195 mm
Emplacement à l'avant de la structure d'accoudoir	404 mm
Angle de braquage minimum	1145 mm
Garde au sol	65 mm
Diamètre des roues arrière	12"

Marque	Vermeiren
Type	Fauteuil roulant électrique, classe A
Modèle	Plego
Poids maximum de l'occupant	130 kg

Type de roues arrière **	Pneus en PU
Diamètres des roues avant	200x50
Type de roues avant **	Pneus en PU
Description électrique	
Batterie	12,8 Ah 17,5 Ah
Moteurs de traction	2 x 250 W
Fusible	20 A
Tests de résistance selon	ISO 7176-8
Tests de puissance et système de commande selon	ISO 7176-14
Inflammabilité de rembourrage conforme à	EN1021-2:2006
Conformité CEM	ISO 7176-21
Niveau de protection	IPX4
Niveau de bruit	< 65 dB (A)
Température d'entreposage et d'utilisation	+5 °C ~ +41 °C
Température de fonctionnement de l'électronique	-10 °C ~ +40 °C
Humidité d'entreposage et d'utilisation	30 % ~ 70 %

Nous nous réservons le droit d'apporter des changements techniques. Tolérance de mesure ± 15 mm / 1,5 kg / 1,5°.

(*) La distance de conduite théorique sera réduite si le fauteuil roulant est utilisé fréquemment en pentes, sur un terrain accidenté ou en côtes.

**Étant donné que différents pneus peuvent être utilisés, veuillez noter la pression de fonctionnement correcte des pneus que vous utilisez. Pour d'autres diamètres de pneus, adressez-vous à votre revendeur spécialisé.

Inhoud

Inhoud	1
Voorwoord	2
1 Uw product	3
1.1 Opties.....	3
2 Voor gebruik	4
2.1 Beoogd gebruik	4
2.2 Algemene veiligheidsmaatregelen	4
2.3 Symbolen op de rolstoel.....	5
2.4 Transport.....	5
2.5 Vouwen/Ontvouwen	6
2.6 Eerste gebruik en opslag	7
3 Uw rolstoel gebruiken	8
3.1 De eerste rit	8
3.2 Buiten rijden	8
3.3 Besturing.....	9
3.4 Rem en vrijloophendel	10
3.5 Transfer in/uit de rolstoel.....	11
3.6 Aanpassingen voor comfort	12
3.7 Batterijstatus en opladen.....	12
3.8 Aan/uitzetten van het elektrisch apparaat	14
3.9 Monteren / verwijderen van de batterij	14
4 Montage en instellingen	15
4.1 Gereedschap	15
4.2 Leveringsomvang.....	15
4.3 Instellen van de voetsteun	15
5 Onderhoud	16
5.1 Tijdstippen voor onderhoud.....	16
5.2 Instructies voor onderhoud.....	16
5.3 Probleemoplossing.....	17
5.4 Verwachte levensduur.....	17
5.5 Hergebruik	17
5.6 Beëindiging van gebruik.....	18
6 Probleemoplossing	19
7 Technische specificaties	20

Proficiat! U bent eigenaar van een Vermeiren-rolstoel!

Deze rolstoel werd vervaardigd door gekwalificeerd en toegewijd personeel. Hij werd ontworpen en geproduceerd volgens hoge kwaliteitsnormen, bewaakt door Vermeiren.

Bedankt voor uw vertrouwen in de producten van Vermeiren. Om u te ondersteunen bij het gebruik van deze rolstoel en zijn bedieningsmogelijkheden, bieden we u deze handleiding aan. Lees deze informatie zorgvuldig door: het zal u helpen om vertrouwd te raken met de besturing, mogelijkheden en beperkingen van uw rolstoel.

Indien u na het lezen van deze handleiding nog vragen heeft, aarzel dan niet om contact op te nemen met uw vakhandelaar. Hij/Zij zal u met plezier verder helpen.

Belangrijke opmerking

Om uw veiligheid te garanderen, en om de levensduur van uw product te verlengen, raden we u aan om er goed zorg voor te dragen en om regelmatig nazicht en onderhoud te laten uitvoeren.

Deze handleiding houdt rekening met de recentste productontwikkelingen. De Firma Vermeiren behoudt zich het recht voor om wijzigingen aan dit type product door te voeren zonder verplicht te zijn om voordien geleverde producten aan te passen of te vervangen.

Afbeeldingen van het product worden gebruikt om de instructies in deze handleiding te verduidelijken. Details van het afgebeelde product kunnen afwijken van uw aangekochte product.

Beschikbare informatie

Op onze website <http://www.vermeiren.com/> kan u steeds de meest recente versie terugvinden van de informatie in deze handleiding. Consulteer deze website regelmatig voor mogelijke updates.

Mensen met een visuele beperking kunnen de elektronische versie van deze handleiding downloaden en laten voorlezen door een tekst-naar-spraak programma.



Deze gebruiksaanwijzing
Voor de gebruiker en vakhandelaar



Onderhoudshandleiding voor rolstoelen
Voor de vakhandelaar



EC-conformiteitsverklaring

1 Uw product



- | | |
|--------------|--|
| 1. Rug | 7. Voorwiel |
| 2. Besturing | 8. Achterwiel / Aandrijfwielen met motor |
| 3. Armsteun | 9. Batterij |
| 4. Zit | 10. Identificatieplaat |
| 5. Voetsteun | |
| 6. Voetplaat | |

1.1 Opties

Neem contact op met uw vakhandelaar voor meer informatie over opties. Hij geeft u graag advies.

2 Voor gebruik

2.1 Beoogd gebruik

In dit hoofdstuk wordt kort beschreven wat het beoogde gebruik van uw rolstoel inhoudt. Bijkomende relevante waarschuwingen worden gegeven bij de instructies in andere hoofdstukken. Op deze manier proberen we u te waarschuwen voor mogelijk verkeerd gebruik.

- Deze rolstoel is geschikt voor gebruik binnen en buiten.
- Deze rolstoel is uitsluitend ontworpen voor het vervoer/transfer van één (1) persoon met een maximumgewicht van 130 kg. Het is niet bedoeld om goederen of objecten te vervoeren, noch voor enig ander gebruik dan hiervoor beschreven.
- Deze rolstoel kan bediend worden door de gebruiker die in de rolstoel zit, of hij kan geduwd worden door een begeleider. Gebruik deze rolstoel NIET indien u lijdt aan psychische of mentale beperkingen waardoor u uzelf of andere mensen in gevaar kan brengen bij het rijden. Consulteer daarom eerst uw dokter, en informeer uw vakhandelaar over zijn/haar advies.
- Gebruik enkel accessoires en reserveonderdelen die werden goedgekeurd door Vermeiren.
- Lees eerst alle technische details en limieten van uw rolstoel in hoofdstuk 7.
- De garantie op dit product is gebaseerd op normaal gebruik en onderhoud zoals beschreven in deze handleiding. De garantie vervalt bij schade die werd veroorzaakt door verkeerd gebruik of gebrek aan onderhoud.

2.2 Algemene veiligheidsmaatregelen



VOORZICHTIG

Gevaar voor letsel en/of beschadiging

Lees de instructies in deze handleiding en volg ze nauwkeurig op. Zo niet, kan dit leiden tot lichamelijk letsel of beschadiging aan uw rolstoel.

Houd rekening met de volgende algemene waarschuwingen tijdens het gebruik:

- Gebruik de rolstoel niet indien u onder invloed bent van alcohol, medicijnen of andere substanties die uw rijvermogen verminderen.
- Houd er rekening mee dat sommige onderdelen van uw rolstoel zeer warm of koud kunnen worden door omgevingstemperatuur, de zon, verwarmingstoestellen of de motor tijdens gebruik. Wees daarom voorzichtig bij het aanraken. Draag beschermende kleding bij koud weer. Na gebruik, wacht tot de rolstoel/motor is afgekoeld.
- Wees u bewust van uw omgeving/situatie vooraleer de rolstoel in te schakelen. Pas uw snelheid hieraan aan bij vertrek. We adviseren om de laagste snelheidsinstelling te gebruiken wanneer u binnenshuis rijdt. Bij buitengebruik kan u de snelheid aanpassen tot een snelheid waarbij u zich veilig en comfortabel voelt.
- Houd er ALTIJD rekening mee dat uw rolstoel plots kan stoppen door een ontladen batterij, of een beveiliging die voorkomt dat uw rolstoel schade oploopt. Lees ook de mogelijke oorzaken zoals vermeld in §5.3. Gebruik uw veiligheidsgordel om letsel te voorkomen.
- Uw rolstoel werd getest op elektromagnetische compatibiliteit en voldoet aan de standaard, zie hoofdstuk 7. Toch kunnen elektromagnetische velden de rijprestatie van uw rolstoel beïnvloeden, bijvoorbeeld bij gsm's, stroomgeneratoren of energiebronnen met hoog vermogen. De elektronica van uw rolstoel kan echter ook andere elektrische apparaten beïnvloeden, zoals alarmsystemen in winkels en automatische deuren. We raden daarom aan om uw rolstoel regelmatig te checken op schade of slijtage aangezien dit de storing kan vergroten (zie ook hoofdstuk 5).
- Rijd enkel op vlakke oppervlakken waarbij beide aandrijfwielen de grond raken, en waarbij voldoende contact met de grond mogelijk is voor veilig gebruik van de rolstoel.
- Er mogen geen aanpassingen of veranderingen gemaakt worden aan de beveiligingspunten of structurele onderdelen van de rolstoel zonder de producent van de rolstoel te contacteren.

- Houd tijdens gebruik uw vingers, gespen, kledij en juwelen uit de buurt van de wielen of bewegende onderdelen.

Houd er rekening mee dat uw rolstoel, afhankelijk van de gebruikte instelling, bij sommige diefstalsystemen interferentie kan geven. Hierdoor kan het winkelalarm in werking gesteld worden.

Ieder ernstig incident [MDR (EU) 2017/745 §2 (65)] dat zich heeft voorgedaan met trekking tot het product dient gerapporteerd te worden aan de producent en de bevoegde autoriteit van de lidstaat waarin de gebruiker en/of patiënt gevestigd is.

2.3 Symbolen op de rolstoel

De volgende symbolen zijn van toepassing op uw rolstoel. De symbolen kan u terugvinden in de relevante ISO-standaard (ISO 7000, ISO 7001 en IEC 417).



Maximum gewicht van de gebruiker in kg



Enkel gebruik voor binnen (batterijlader)



Maximale veilige helling in ° (graden)



Maximale snelheid



Type aanduiding



Risico voor knellen

2.4 Transport

VOORZICHTIG

Gevaar voor beschadiging

Neem maatregelen om te voorkomen dat de rolstoel beschadigd raakt tijdens transport.

2.4.1 Uit de weg zetten

Gebruik het bedieningspaneel om de rolstoel naar zijn bestemming te bewegen.

Zet anders de rolstoel in vrijloopmodus (zie §3.4) en gebruik de duwstang om de rolstoel te bewegen.

2.4.2 Transport in een vliegtuig

Bij transport per vliegtuig vergrendelt en ontkoppelt u eerst de batterij voordat u de rolstoel overdraagt aan het luchthavenpersoneel (zie §3.9 en §3.8). De batterij kan in de rolstoel gelaten worden. Neem contact op met de luchtvaartmaatschappij voor de correcte afhandelingsprocedure.

2.4.3 Transport per voertuig, als bagage

De beste manier om de elektrische rolstoel in de auto te transporteren is door de stoel op te vouwen en in de auto te tillen.

1. Als rolstoelgebruiker, maak de transfer naar een autozit, zie §3.5.
2. Verwijder alle losse onderdelen alvorens te transporteren (tasjes, hoofdsteun,...).
3. Berg de verwijderbare onderdelen veilig op achter de passagiersstoel of in het bagagecompartiment.
4. Vouw de rolstoel (zie §2.5) en til de rolstoel in de auto (indien nodig, met 2 personen) door de vaste onderdelen van het frame vast te nemen.
5. Maak de vaste onderdelen van het frame goed vast aan het voertuig.
6. Plaats de rolstoel in rijmodus (inschakelen van de parkeerremmen) en controleer dat de besturing uitgeschakeld is.

2.5 Vouwen/Ontvouwen



VOORZICHTIG

Gevaar voor letsel

- Zorg ervoor dat uw vingers, kledij, gespen niet geklemd raken bij de (de)montage.

Om de elektrische rolstoel te ontvouwen:

1. Schakel de rolstoel UIT.
2. Plaats de rolstoel rechtop op de steunwielen (1).
3. Trek de zit en rug weg van elkaar om het frame te ontvouwen totdat de beugel (2) op zijn plaats klikt. Zorg ervoor dat de vergrendelbeugel in vergrendelde positie staat.
4. Plaats de rolstoel op de voor- en achterwielen.
5. Vouw de armsteunen (3) naar beneden totdat ze op hun plaats klikken.
6. Vouw de voetsteun (4) neer.
7. Monteer eventuele opties die verwijderd waren voor transport.
8. De rolstoel is nu klaar voor gebruik.

Om de elektrische rolstoel te vouwen:

1. Schakel de rolstoel UIT.
2. Verwijder eventuele losse opties.
3. Zorg ervoor dat de rolstoel in vrijloopmodus staat (zie §3.4).
4. Druk de knoppen (5) op de armsteunen en vouw de armsteunen (3) naar achter.
5. Ontgrendel het frame door op de beugel (2) te duwen.
6. Houd de rug en het zitframe vast en duw ze naar elkaar toe. Zorg ervoor dat de rolstoel stabiel rechtop staat op de steunwielen (1).
7. Vouw de voetsteun (4) over de batterij.
8. Als de armsteunen uitsteken, verplaats ze dan naar een meer compacte positie dichtbij het frame.



2.6 Eerste gebruik en opslag



VOORZICHTIG

Gevaar voor beschadiging aan de batterij

- Laat de batterij nooit volledig ontladen.
- Onderbreek de oplaadcyclus niet: koppel de batterijlader enkel los wanneer de batterij volledig opgeladen is.
- Zorg ervoor dat uw rolstoel droog wordt bewaard om schimmel of schade aan de bekleding te voorkomen.
- Ga de technische details voor opslag na in hoofdstuk 7.

Zorg ervoor dat de batterij volledig werd opgeladen voor het eerste gebruik. Vraag aan uw vakhandelaar of dit reeds gebeurde. Om de batterij te laden, volgt u de instructies in §3.7.

3 Uw rolstoel gebruiken

**WAARSCHUWING**

Gevaar voor letsel

- Lees eerst de voorgaande hoofdstukken en informeer uzelf over het beoogde gebruik. Gebruik uw rolstoel NIET voordat u alle instructies gelezen en begrepen heeft.
- Als u nog vragen heeft of als u ergens aan twijfelt, aarzel dan niet om contact op te nemen met uw lokale vakhandelaar, zorgverlener, of technisch adviseur om u te helpen.

3.1 De eerste rit

**VOORZICHTIG**

Gevaar voor letsel of beschadiging

- Houd steeds rekening met de draaicirkel van de voetsteun en besturing om te voorkomen dat voorbijgangers verwond raken, of dat objecten beschadigd raken.
- Koppel steeds de batterijlader los van de rolstoel vooraleer te rijden.

- i**
- Zorg ervoor dat u vertrouwd bent met de werking van uw rolstoel vooraleer deze te gebruiken op drukke en mogelijk gevaarlijke plaatsen. Oefen eerst in een grote open ruimte met weinig omstaanders.
 - Onderzoek het effect van een veranderd zwaartepunt op het gedrag van de rolstoel, bijvoorbeeld op hellingen, op zijdelingse hellingen of bij het overwinnen van hindernissen. Vraag hulp aan een begeleider.
 - Het oppervlak van de besturing wordt een beetje warm tijdens gebruik.
 - Bij het achteruit rijden wordt de snelheid verminderd.

1. Zorg ervoor dat:
 - de rolstoel op een vlakke ondergrond staat;
 - de batterij volledig is opgeladen, zie §3.7;
 - de motor gekoppeld werd, zie §3.4;
 - de rolstoel werd aangepast aan uw noden en comfort, zie §3.6;
 - u de correcte zitpositie heeft, zie §3.5.
2. Volg de instructies uit de handleiding van de besturing.
3. Zet uw rolstoel aan.
4. Draai de snelheidsregelaar naar de laagste stand.
5. Oefen op het rijden met en verstellen van de rolstoel.
6. Als u zich zeker genoeg voelt, kan u aan een hogere snelheid proberen te rijden.
7. Probeer nu te draaien, zowel voorwaarts als achterwaarts. Herhaal dit enkele keren.
8. Zorg ervoor dat uw rolstoel stabiel staat wanneer u de rit beëindigt.
9. Schakel uw rolstoel uit.

3.2 Buiten rijden


**WAARSCHUWING**

Gevaar voor ongeval - Pas uw rijstijl en snelheid aan.

- Houd rekening met de lokale verkeerswetgeving; deze kan verschillen van land tot land. Dit geldt voor het rijden op de stoep, onverharde en verharde wegen.
- Rijd niet op wegen met druk verkeer.
- Houd rekening met de weersomstandigheden. Vermijd het rijden bij vochtig weer, extreme hitte, sneeuw, ijzel en vriestemperaturen; zie de technische specificaties in hoofdstuk 7.
- Zorg ervoor dat u goed zichtbaar bent, ook tijdens de dag, door het dragen van fluorescerende kledij en/of door extra verlichting te gebruiken aan de voor- en achterzijde van de rolstoel.
- Wees u bewust van andere weggebruikers voor wie uw rolstoel een hindernis kan vormen. Let extra op bij het draaien en achteruit rijden. Als u niet vertrouwd bent met achteruit rijden, oefen dan eerst in een open ruimte. Geef de richting aan waarin u gaat vooraleer af te slaan.

- Probeer recht in smalle doorgangen te rijden om te voorkomen dat u geklemd raakt.
- Houd de remafstand in gedachten. Houd er rekening mee dat de remafstand beïnvloed wordt door snelheid, rijoppervlak, weersomstandigheden, helling en gewicht van de gebruiker.

3.2.1 Omgaan met hellingen, stoepranden, hindernissen en oprijplaten

 **VOORZICHTIG** Gevaar voor letsel door onvoorziene beweging

- Gebruik een veiligheidsgordel om uzelf te beveiligen in de rolstoel.
 - Pas op als de weg zanderig is of zachte grond, gaten of spleten heeft waardoor de wielen kunnen vastlopen en/of de tractie van de aandrijfwielen vermindert.
 - Rijd NIET op hellingen, hindernissen, treden of stoepranden die groter zijn dan beschreven in de technische specificaties van hoofdstuk 7.
 - Benader een stoeprand altijd van de voorkant.
 - Zet uw rolstoel nooit in vrijloopmodus op een helling. De rolstoel kan beginnen te bewegen, wat verwondingen bij uzelf of omstaanders kan veroorzaken.
 - Gebruik uw rolstoel niet op roltrappen of trappen.
 - Gebruik enkel rampen die goedgekeurd werden door Vermeiren en overschrijd hun maximaal toegestane belasting niet.
 - Om veilig obstakels of hellingen te nemen, zet u de rolstoel in de meest rechtop zittende positie.
- i** Wanneer u stopt op een helling, zal de rem automatisch in werking treden om te voorkomen dat de rolstoel vooruit of achteruit rolt.

WAARSCHUWING Gevaar voor beschadiging

- Parkeer uw elektrische rolstoel steeds op een horizontaal vlak oppervlak, en op plaatsen die makkelijk bereikbaar zijn.
- Indien nodig, maak snelheid met een korte aanloop om hellingen, hindernissen, stoepranden of rampen op te rijden. Vermijd dat u of uw rolstoel te maken krijgt met een grote terugslag.
- Zorg ervoor dat de rolstoel de grond of ramp niet raakt door de kanteling.
- Denk eraan dat de remafstand bergafwaarts aanzienlijk groter kan zijn dan op vlakke grond.

Procedure

- Start met rijden volgens de instructies in § 3.1, stap 1.
- Gebruik hef materiaal of een ramp om de rolstoel op/af treden of trappen te bewegen. Indien deze niet voorhanden zijn, kan de rolstoel worden opgetild door ten minste twee personen, waarbij het frame stevig met beide handen moeten worden vastgehouden. Houd de rolstoel hierbij niet vast aan de rugsteun, voetplaat/voetplaten, armsteunen of wielen.
- Omgaan met hindernissen of hellingen:
 1. Verstel de rolstoel naar de meest stabiele positie, zie § 3.5.
 2. Rijd zo langzaam mogelijk om de hindernis of helling te nemen.

3.3 Besturing

- i** Zet de joystick in neutrale (centrale) positie vooraleer de aan/uit-knop in te drukken, anders zal de elektronica blokkeren. Om deze blokkering op te heffen, schakelt u de besturing uit en weer aan.

1. AAN/UIT knop
2. Indicator batterijstatus
3. Snelheidsindicator
4. Claxon
5. Knop voor vermindering snelheid
6. Knop voor verhoging snelheid
7. Joystick



3.3.1 Technische bescherming

Om uw eigen veiligheid te garanderen, en om te voorkomen dat de rolstoel beschadigd raakt, worden alle bewegingen bewaakt door de elektronica. Dit kan leiden tot afname in snelheid of volledige stilstand.

- Om onopzettelijke batterij-ontlading te voorkomen, is uw rolstoel voorzien van een automatisch uitschakelsysteem. Dit systeem schakelt automatisch de besturing uit zodra deze even niet gebruikt wordt. Als dit gebeurt, schakel dan gewoon de besturing weer aan.
- Zorg ervoor dat de vrijloophendel in repositie staat VOORDAT u de rolstoel AAN zet. Elektromagnetische remmen werken NIET als de rolstoel in vrijloopmodus staat. Dit wordt aangegeven op de besturing. Rijden is niet mogelijk.

3.3.2 Rijden

1. Duw op de AAN/UIT-knop (1) om de rolstoel aan te zetten.
2. Als de lampjes van de batterijstatusindicator (2) en de snelheidsindicator (3) aan gaan, staat uw rolstoel aan en is hij klaar voor gebruik.
3. Controleer de batterij-indicator. Laad de batterij indien nodig (zie §3.7).
4. Pas de rijnsnelheid aan: verlaag de snelheid met de knop voor vermindering snelheid (5), of verhoog de snelheid met de knop voor verhoging snelheid (6).
5. Beweeg de rolstoel door de joystick (7) zachtjes naar voor/achter te duwen.
6. De snelheid zal toenemen als u de joystick verder uit het midden wegduwt.
7. Om naar links of rechts te draaien, duwt u de joystick naar links of rechts.
8. Om te remmen, beweegt u de joystick naar neutrale positie.
9. Druk indien nodig de claxonknop (4) om andere weggebruikers te waarschuwen.
10. Controleer bij aankomst de batterijstatus en duw op de AAN/UIT-knop om de rolstoel uit te schakelen.
11. Laad de batterij op, indien nodig.

3.4 Rem en vrijloophendel



VOORZICHTIG

Gevaar voor letsel of beschadiging

- Bedien de vrijloophendel enkel wanneer de rolstoel UIT staat! Een begeleider moet de vrijloophendel bedienen indien u een mobiliteitsbeperking heeft. Bedien de hendel NOOIT vanuit zittende positie.
- Gebruik de vrijloopmodus nooit op hellingen, zie het symbool op de motor.



- i** Zorg ervoor dat de vrijloophendel in rempositie staat VOORDAT u de rolstoel AAN zet. Elektromagnetische remmen werken NIET als de rolstoel in vrijloopmodus staat. Dit wordt aangegeven op de besturing. Rijden is niet mogelijk.

Uw rolstoel is uitgerust met elektromagnetische remmen. De werking van deze remmen hangt af van de positie van de vrijloophendel (1).

De EM-remmen werken automatisch, **enkel** wanneer de vrijloophendel (1) in rempositie staat. In dit geval zullen de remmen beginnen werken als:

- de rolstoel UIT staat;
- de rolstoel AAN staat en de joystick wordt losgelaten.

Wanneer u de joystick loslaat, stop de rolstoel stilaan en activeren de remmen.

De vrijloophendel bedienen:



- Draai de hendels naar BOVEN om de rolstoel in vrijloopmodus te zetten. De motor is nu losgekoppeld. De rolstoel kan manueel verplaatst worden.



- Draai de hendels naar BENEDEN om de motor te koppelen aan de aandrijving. Dit moet gebeuren vooraleer u de rolstoel aanzet.



3.5 Transfer in/uit de rolstoel



VOORZICHTIG

Gevaar voor letsel of beschadiging

- Als u de transfer niet op een veilige manier kan uitvoeren, vraag dan hulp.
- Ga niet op de voetplaat/voetplaten staan om in of uit de rolstoel te stappen.

Transfer

1. Plaats de rolstoel zo dicht mogelijk bij de stoel, zetel of het bed waarop u zit.
2. Schakel de remmen in door de vrijloophendel in rempositie te draaien, zie § 3.4.
3. Vouw de voetplaat/voetplaten omhoog om te voorkomen dat u erop gaat staan.
4. Indien nodig, vouw een armsteun achterwaarts, zie §2.5.
5. Beweeg naar/uit uw rolstoel door kracht te zetten op uw armen, of met behulp van een begeleider of liftmateriaal.

Zitten in de rolstoel

1. Ga zitten op de zit met uw onderrug tegen de rugsteun.
2. Draai de voetplaat/voetplaten naar beneden en plaats uw voeten erop.
3. Indien nodig, vouw de armsteunen terug.

Verstellen naar stabiele positie

Voor transport, en wanneer u hindernissen moet nemen, is het nodig dat de rolstoel afgesteld wordt voor maximale stabiliteit:

- Rugsteun rechtop
- Voetplaat omhoog gevouwen

3.6 Aanpassingen voor comfort

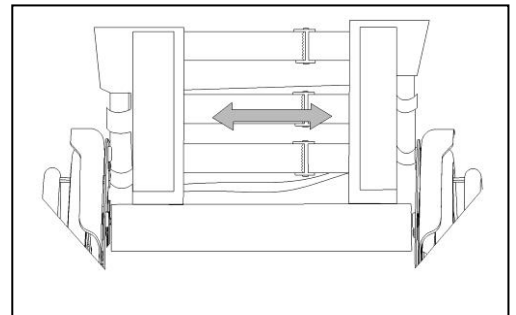
 **VOORZICHTIG** Gevaar voor letsel of beschadiging

- De volgende aanpassingen voor comfort kunnen gedaan worden door de begeleider. Alle andere instellingen worden gedaan door de vakhandelaar volgens de installatiehandleiding, zie voorwoord.
- Houd tijdens de verstelling uw vingers, gespen, kledij en juwelen uit de buurt van bewegende onderdelen.


3.6.1 Ondersteuning rugsteun

De rug van de rolstoel heeft een ophangstelsysteem met verstelbare klittenbanden om de flexibiliteit van de rug aan te passen.

1. Haal het kussen van de rugsteun door het los te trekken van de klittenbanden.
2. Maak de klittenbanden van het suspensiesysteem los.
3. Trek de banden aan tot de gewenste positie. De spanning van de individuele banden kan aangepast worden om de gewenste ondersteuning van de rug te verkrijgen.
4. Plaats het rugkussen terug over de rugsteun, beginnend aan de voorkant.
5. Beveilig de klittenbandsluitingen door het kussen met uw hand tegen de rugsteun te duwen.
6. Zorg ervoor dat klittenbanden stevig bevestigd zijn.



3.7 Batterijstatus en opladen

 **WAARSCHUWING** Gevaar voor letsel of beschadiging door brand

- Gebruik enkel de batterijlader die geleverd werd bij uw rolstoel. Het gebruiken van een andere lader kan gevaarlijk zijn (brandgevaar).
- De lader is enkel bedoeld om de batterijen op te laden die geleverd werden bij uw rolstoel, geen andere batterijen.
- Maak geen aanpassingen aan de geleverde onderdelen, bijv. kabels, stekkers of de batterijlader. Open of vervang nooit de batterij of de aansluitpunten.
- Bescherm de batterij en batterijlader tegen vlammen, hoge en lage temperaturen (zie hoofdstuk 7), vochtigheid, zon, hevige schokken (bijvoorbeeld vallen). Gebruik de batterij NIET als ze is blootgesteld aan een van de voornoemde omstandigheden.
- Laad de batterij op met de geleverde lader, binnenshuis, in een goed geventileerde ruimte, buiten het bereik van kinderen.

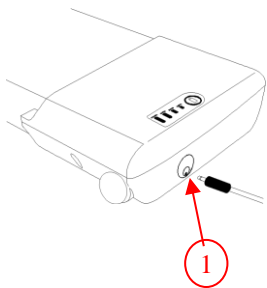
VOORZICHTIG Gevaar voor beschadiging

- Automatische ontlading van de batterij en de ruststroom van de verbonden gebruikers zullen de batterij langzaam ontladen. De batterij kan onherstelbaar beschadigd raken indien ze volledig ontladen wordt. Zorg er daarom steeds voor dat de batterij tijdig wordt opgeladen (zie 3.7).
- Lees de instructies voor bewaring en onderhoud in hoofdstuk 5 en de technische details in hoofdstuk 7.
- Laad batterijen niet op onder 0°. Verplaats de batterij naar een warmere plaats en begin het opladen.
- Houd het aansluitpunt voor de batterijlader vrij van stof of vuil.
- In geval van problemen waardoor de batterij niet opgeladen kan worden volgens de gebruiksaanwijzing van de lader, neem dan contact op met uw vakhandelaar.

- i** Voor alle informatie over weergave van de batterijstatus, raadpleeg §3.7.
- i** We raden aan om de batterij los te koppelen van de rolstoel wanneer deze een tijdje niet gebruikt wordt. Zo voorkomt u onnodige energieconsumptie.

Controleer de accu altijd op beschadigingen voordat u deze oplaadt. Druk op de batterij indicator knop gedurende 2 seconden om de batterij aan te zetten. Wanneer geen enkele LED van de laadtoestand indicator oplicht, kan de batterij beschadigd zijn. Wanneer ten minste één, maar niet alle LEDs van de indicator branden, laad dan de batterij volledig alvorens voor de eerste keer te gebruiken.

Laad geen beschadigde batterij en gebruik deze niet, contacteer hiervoor uw vakhandelaar.



Om een volledige batterijcapaciteit te garanderen, laad u de batterij volledig op in de lader alvorens voor de eerste keer te gebruiken. De batterij kan altijd worden herladen op de rolstoel of wanneer verwijderd uit de rolstoel.

Instructies om de batterij op te laden:

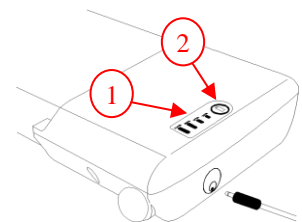
1. Schakel de batterij uit.
2. Indien gewenst, verwijder de batterij van de batterij behuizing en voorkom dat vuil of vloeistoffen in de laadbus kunnen indringen.
3. Sluit de lader plug aan op de batterij ①.
4. Sluit de lader hoofdplug aan op het stopcontact.
5. De LED indicator op de batterijlader geeft de status van het laadproces weer:
 - Rood - Laden
 - Groen - Stand-by / Volledig geladen
6. Eens de batterij volledig is opgeladen, verwijder de batterijlader van het stopcontact en de batterij.

3.7.1 Indicator batterijstatus

Er zijn twee batterij laadtoestand indicators:

Op de batterij:

1. Druk de toets ② op de batterij.
2. De LED's van de batterij laadtoestand indicator ① geven de laadtoestand weer.



Bedieningspaneel:

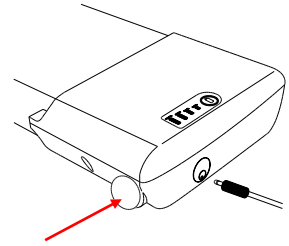
Wanneer het elektrische systeem is ingeschakeld, zal de accu-indicator (2, §3.3) het laadniveau van de accu aangeven.

- Alle LEDs aan: de batterij is volledig opgeladen.
- Enkel rode LED aan of knipperend: laad meteen de batterij op.

Door de bedrading kunnen beide indicaties iets afwijken van elkaar. In dit geval, neemt u de slechtste laadtoestand indicatie.

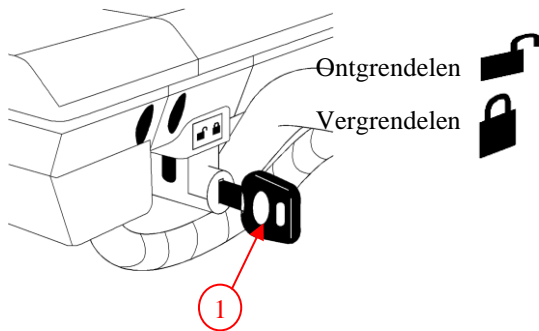
3.8 Aan/uitzetten van het elektrisch apparaat

Druk op de AAN/UIT knop aan de zijkant van de batterij.



3.9 Monteren / verwijderen van de batterij

De batterij is verwijderbaar om op te laden uit de rolstoel.



Om de batterij te monteren:

1. Plaats de sleutel ① en draai de sleutel naar het symbool ontgrendelen.
2. Plaats de batterij in de batterijbehuizing zo ver als mogelijk. Er is slechts één mogelijke manier om de batterij te monteren.
3. Draai de sleutel ① naar het symbool vergrendelen.
4. Controleer dat de batterij terug goed is vastgemaakt.
5. Verwijder de sleutel ①. (Verwijder de sleutel nooit wanneer u aan het rijden bent).

Om de batterij te verwijderen:

1. Plaats de sleutel ①.
2. Draai de sleutel ① naar het symbool ontgrendelen.
3. Trek de batterij voorzichtig uit de batterij behuizing.

4 Montage en instellingen

De in dit hoofdstuk beschreven instructies zijn bestemd voor de vakhandelaar.

Om een servicepunt of vakhandelaar in uw buurt te vinden, neemt u contact op met de dichtstbijzijnde Vermeiren faciliteit.

 **WAARSCHUWING** Gevaar voor letsel of beschadiging

- Gebruik enkel de instellingen beschreven in deze handleiding.

4.1 Gereedschap

Om uw rolstoel op te bouwen is het volgende gereedschap nodig.

- Inbussleutel n° 4
- Steek-/ringsleutel n° 10

4.2 Leveringsomvang

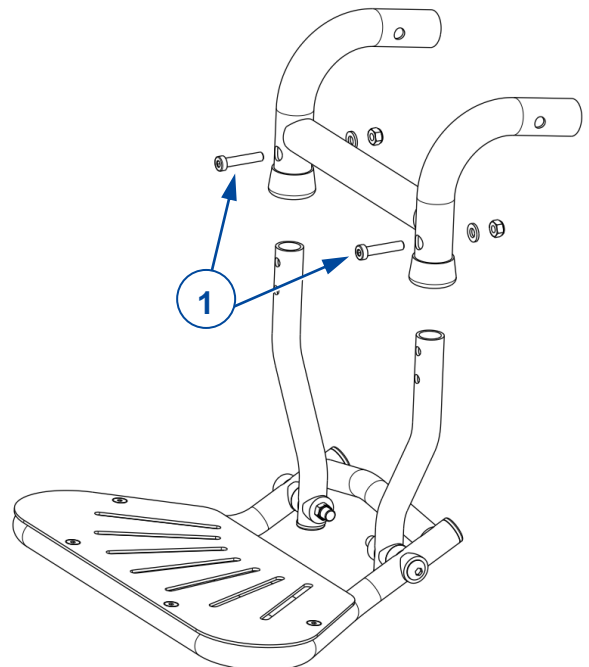
De Vermeiren Plego wordt als volgt geleverd:

- 1 frame met armsteunen, achter- en voorwielen, voetsteun
- Gereedschap
- Handleiding
- Accessoires (optioneel)

4.3 Instellen van de voetsteun


De lengte van de voetsteun kan in 2 posities worden ingesteld (20mm afstand):

1. Verwijder de schroeven en moeren (1).
2. Stel de lengte van de voetsteun in zoals gewenst.
3. Draai de schroeven en moeren weer goed vast.



5 Onderhoud

5.1 Tijdstippen voor onderhoud

 **VOORZICHTIG** Gevaar voor letsel of beschadiging

Reparaties en vervangingen mogen enkel uitgevoerd worden door opgeleid personeel, en enkel originele onderdelen van Vermeiren mogen hierbij gebruikt worden.

- i** De laatste pagina van deze handleiding bevat een registratieformulier, bedoeld voor de vakhandelaar om ieder onderhoud te registreren.

De onderhoudsfrequentie hangt af van de frequentie en intensiteit van gebruik. Neem contact op met uw vakhandelaar om een tijdschema vast te leggen voor nazicht/onderhoud/repairatie.

Lees de gebruiksaanwijzing van de batterijlader voor specifieke onderhoudsinstructies.

Voor de onderhoudshandleiding kan u onze website raadplegen: www.vermeiren.com.

Voor ieder gebruik

Kijk de volgende punten na:

- Alle onderdelen: aanwezig en niet beschadigd of versleten.
- Alle onderdelen: schoon, zie § 5.2.2.
- Wielen, zit, armsteunen, voetsteunen en hoofdsteun (indien van toepassing): stevig bevestigd.
- Batterijstatus: laad de batterij op indien nodig, zie §3.7.
- Besturing, batterij, vermogensmodule, motors, batterijlader, lichten en relevante kabels: geen schade zoals gerafelde, gebroken of blootgestelde draden.
- Staat van de wielen/banden, zie § 5.2.1.
- Staat van de frameonderdelen: geen vervorming, instabiliteit, zwakte of losse verbindingen.
- Zit, rugsteun, armleggers, kuitsteunen en hoofdsteun (indien van toepassing): geen overmatige slijtage (bijv. gedeukte plekken, schade of scheuren).

Contacteer uw vakhandelaar voor eventuele reparaties of vervanging van onderdelen.

Iedere maand

Als uw rolstoel voor een periode wordt opgeslagen, raden we aan om de batterijen nog steeds iedere maand op te laden. Het is ook mogelijk om de batterijlader gekoppeld te houden aan de batterij en de netspanning tijdens deze periode. Voor meer informatie, zie § 3.7.

Jaarlijks of vaker

Laat uw rolstoel nakijken en onderhouden door uw vakhandelaar, ten minste één keer per jaar of vaker. De minimale onderhoudsfrequentie is afhankelijk van het gebruik en moet daarom besproken worden met uw vakhandelaar.

Bij opslag

Zorg ervoor dat uw rolstoel droog wordt bewaard om schimmel of schade aan de bekleding te voorkomen.

5.2 Instructies voor onderhoud

5.2.1 Wielen en banden

- i** De goede werking van de remmen hangt af van de staat van de banden, die onderhevig zijn aan slijtage en verontreiniging (water, olie, modder, ...).

- Houd de wielen vrij van draden, haar, zand en vezels.
- Kijk het profiel van de banden na. Als de profieldiepte minder dan 1 mm bedraagt, moeten de banden vervangen worden. Contacteer hiervoor uw vakhandelaar.

5.2.2 Schoonmaken

WAARSCHUWING

Gevaar voor beschadiging door vocht

- Houd de besturing schoon en bescherm ze tegen water en regen.
- Gebruik nooit een tuinslang of hogedrukreiniger om de rolstoel schoon te maken.

Veeg alle harde onderdelen van de rolstoel schoon met een vochtig doek (niet doorweekt). Indien nodig, gebruik een milde zeep die geschikt is voor vernis en synthetische materialen. De bekleding kan schoon worden gemaakt met lauw water en een milde zeep. Gebruik geen agressieve schoonmaakmiddelen.

Houd de ventilatieopeningen op de batterijlader schoon en vrij van stof. Blaas het stof weg en maak de batterijlader schoon met een vochtig doek indien nodig.

5.2.3 Ontsmetting

VOORZICHTIG

Gevaar voor beschadiging

Ontsmetting mag enkel worden uitgevoerd door getraind personeel. Neem contact op met uw vakhandelaar.

5.3 Probleemoplossing

Ook wanneer u de rolstoel correct gebruikt, is het toch mogelijk dat er een technisch probleem optreedt. Neem in dat geval contact op met uw vakhandelaar.

**WAARSCHUWING**

Gevaar voor letsel of beschadiging aan de rolstoel

- Probeer **NOOIT** zelf uw rolstoel te repareren.
- Bij storingen in de besturing dient u contact op te nemen met uw vakhandelaar. Hij /Zij zal beslissen of de besturing geherprogrammeerd moet worden.

Bij storing wordt een foutcode weergegeven op de besturing, zie §6.

De volgende tekenen kunnen wijzen op een ernstig probleem. Neem daarom steeds contact op met uw vakhandelaar als u een van de volgende afwijkingen opmerkt:

- Vreemde geluiden;
- Gerafelde/beschadigde kabelboom;
- Gebarsten of gebroken aansluitingen;
- Oneven bandenslijtage op een van de banden;
- Schokkerige bewegingen;
- De rolstoel buigt af naar één kant;
- Beschadigde of kapotte wielmontages;
- De rolstoel start niet op (defecte zekering);
- De rolstoel staat aan maar beweegt niet, zie 3.4.

5.4 Verwachte levensduur

De gemiddelde levensduur van uw rolstoel is 5 jaar. De levensduur zal toenemen of afnemen afhankelijk van de gebruiksfrequentie, rijomstandigheden en onderhoud.

5.5 Hergebruik

Voor ieder hergebruik door een nieuw persoon moet de rolstoel ontsmet, geïnspecteerd en onderhouden worden volgens de instructies in §5.1 en §5.2.

5.6 Beëindiging van gebruik

Op het einde van de levensduur moet u de rolstoel vernietigen volgens de lokale milieuwetgeving. De beste manier om dit te doen, is de rolstoel te demonteren om het vervoer van de recycleerbare onderdelen te vergemakkelijken.

6 Probleemoplossing


WAARSCHUWING

Gevaar voor letsel of beschadiging aan de besturing of rolstoel

- Probeer **NOOIT** zelf de besturing te repareren.
- Bij storingen in de besturing dient u contact op te nemen met uw vakhandelaar. Hij /Zij zal beslissen of de besturing geherprogrammeerd moet worden.

Bij mogelijke problemen wordt een systeemcode weergegeven door de knipperende LEDs op de batterijstatusindicator, zie §3.3 (2). De volgende tabel somt de mogelijke systeemcodes op. Sommige problemen kan u zelf oplossen. Voor alle storingen in het grijs dient u echter uw vakhandelaar te contacteren.

Tabel 2: Probleemoplossing

Code	Probleem	Betekenis
1	Lege batterij / slechte connectie batterij	Controleer de aansluiting naar de batterijen. Als de aansluiting in orde is, probeer dan de batterijen op te laden.
2	Slechte connectie linker motor of encoder	Controleer de verbindingen naar de linker motor en encoder.
3	Slechte bedrading aan linker motor / blokkeertoestand	
4	Slechte connectie rechter motor of encoder	Controleer de verbindingen naar de rechter motor en encoder.
5	Slechte bedrading aan linker motor / blokkeertoestand	
7	Storing joystick	Controleer of de joystick in de neutrale positie staat als u de rolstoel inschakelt.
7 + S ¹	Communicatiestoring	Zorg ervoor dat de joystick module kabel goed bevestigd en onbeschadigd is.
8	Mogelijke storing besturing	Controleer of alle verbindingen in orde zijn.
9	Slechte verbinding parkeerrem	Controleer de parkeerrem en motorverbindingen. Zorg ervoor dat de controllerverbindingen in orde zijn.
10	Te hoge spanning	Te hoge spanning wordt vaak veroorzaakt door slechte batterijverbinding. Controleer alle batterijverbindingen.

¹S = Blinkende LEDs Snelheidsindicator.

7 Technische specificaties

Onderstaande technische gegevens zijn enkel geldig voor deze rolstoel, met standaard instellingen en optimale omgevingscondities. Houd bij gebruik rekening met deze details. Deze waarden zijn niet meer van toepassing als uw rolstoel werd gewijzigd, of wanneer hij beschadigd of ernstig versleten is. Houd er rekening mee dat de rijprestatie beïnvloed wordt door omgevingstemperatuur, luchtvochtigheid, hellingen (op/nee), soort oppervlak en batterijstatus.

Tabel 1: Technische specificaties

Merk	Vermeiren
Type	Elektronische rolstoel, klasse A
Model	Plego
Max. gebruikersgewicht	130 kg

Omschrijving	Afmetingen
Totale lengte met voetplaat	1000 mm
Totale breedte	595 mm
Totale hoogte	980 mm
Lengte dichtgevouwen	450 mm
Breedte dichtgevouwen	595 mm
Opgevouwen hoogte	980 mm
Totale massa	24,5 kg
Energieconsumptie *	12,8 Ah: 15 km 17,5 Ah: 21 km
Nominale helling	10°
Maximum hoogte hindernis	15 mm
Max. snelheid voorwaarts	6 km/h
Max. remafstand bij hoogste snelheid	1 m
Hoek zit	5 °
Zitdiepte	430 mm
Zitbreedte	450 mm
Zithoogte	530 mm
Hoek rug	5 °
Hoogte rug	460 mm
Afstand tussen voetplaat en zit	440 – 460 mm
Hoek been tot zit	81 °
Afstand armsteun tot zit	195 mm
Voorste positie armsteunen	404 mm
Draaicirkel	1145 mm
Grondspeling	65 mm
Diameter achterwielen	12"
Type achterwielen **	PU wielen
Diameter voorwielen	200x50
Type voorwielen **	PU wielen

Merk	Vermeiren
Type	Elektronische rolstoel, klasse A
Model	Plego
Max. gebruikersgewicht	130 kg

Omschrijving elektriciteit	
Batterij	12,8 Ah 17,5 Ah
Aandrijfmotoren	2 x 250W
Zekering	20 A
Sterktetesten volgens	ISO 7176-8
Testen voor vermogen en besturing volgens	ISO 7176-14
Brandweerstand van de bekleding volgens	EN1021-2:2006
EMC-compatibiliteit volgens	ISO 7176-21
Beschermingsklasse	IPX4
Geluidsdruk	< 65 dB (A)
Opslag- en gebruikstemperatuur	+5 °C ~ +41 °C
Werkings temperatuur van de elektronica	-10°C ~ +40°C
Opslag en gebruiksluchtvochtigheid	30% ~ 70%

We behouden ons het recht voor om technische wijzigingen te introduceren. Meettolerantie ± 15 mm / 1,5 kg / 1,5°.

*** De theoretische actieradius zal worden verlaagd als de rolstoel vaak wordt gebruikt op hellingen, ruw terrein of stoepranden.**

****Omdat verschillende banden gebruikt kunnen worden, controleer de correcte bandendruk voor de band die u gebruikt. Raadpleeg uw vakhandelaar voor andere diameters van de banden.**

Inhalt	1
Vorwort	2
1 Ihr Produkt	3
1.1 Optionen	3
2 Vor der Verwendung	4
2.1 Vorgesehene Verwendung	4
2.2 Allgemeine Sicherheitshinweise	4
2.3 Symbole am Rollstuhl	5
2.4 Transport	5
2.5 Zusammenklappen / Auseinanderklappen	6
2.6 Erste Verwendung und Lagerung	7
3 Verwendung des Rollstuhls	8
3.1 Erste Fahrt	8
3.2 Fahren im Freien	8
3.3 Bedienpult	10
3.4 Bremse und Freilaufhebel	11
3.5 Umsetzen in den/aus dem Rollstuhl	11
3.6 Komforteinstellungen	12
3.7 Akkustatus und Aufladung	12
3.8 Ein- und Ausschalten des elektrischen Geräts	14
3.9 Einsetzen / Entnehmen des Akkus	14
4 Installation und Justierung	15
4.1 Werkzeuge	15
4.2 Lieferumfang	15
4.3 Einstellung der Fußstütze	15
5 Wartung	16
5.1 Wartungstermine	16
5.2 Wartungshinweise	16
5.3 Störungsbehebung	17
5.4 Voraussichtliche Lebensdauer	18
5.5 Wiederverwendung	18
5.6 Nutzungsende	18
6 Störungsbehebung	19
7 Technische Daten	20

Vorwort

DE

Herzlichen Glückwunsch! Sie sind nun Besitzer/in eines Vermeiren-Rollstuhls!

Dieser Rollstuhl wurde von qualifizierten, engagierten Mitarbeitern hergestellt. Im Hinblick auf die Konstruktion und Fertigung entspricht er den hohen Qualitätsstandards von Vermeiren.

Vielen Dank für Ihr Vertrauen in Produkte von Vermeiren. Dieses Handbuch soll Ihnen bei der Verwendung dieses Rollstuhls und seiner Bedienmöglichkeiten helfen. Lesen Sie es daher bitte aufmerksam durch, um sich mit der Bedienung, den Kapazitäten und Beschränkungen Ihres Rollstuhls vertraut zu machen.

Sollten Sie nach der Lektüre dieses Handbuchs noch Fragen haben, wenden Sie sich bitte jederzeit an Ihren Fachhändler. Er wird Ihnen in dieser Angelegenheit gern weiterhelfen.

Wichtiger Hinweis

Um Ihre Sicherheit zu gewährleisten und die Lebensdauer Ihres Produkts zu verlängern, sollten Sie es gut behandeln und regelmäßig überprüfen und/oder warten lassen.

Dieses Handbuch beschreibt die neuesten Produktentwicklungen. Vermeiren behält sich das Recht vor, Änderungen an Produkten dieser Art vorzunehmen, ohne dabei die Verpflichtung einzugehen, ähnliche bereits ausgelieferte Produkte anzupassen oder auszutauschen.

Die Abbildungen dienen zur Verdeutlichung der Anweisungen in diesem Handbuch. Das gezeigte Produkt kann in Bezug auf die Details von Ihrem Produkt abweichen.

Verfügbare Informationen

Auf unserer Webseite <http://www.vermeiren.com/> finden Sie stets die aktuellste Version der folgenden Informationen. Informieren Sie sich bitte regelmäßig auf dieser Website nach möglichen Aktualisierungen.

Sehbehinderte Menschen können sich die elektronische Version dieses Handbuchs herunterladen und mit Hilfe einer Sprachsyntheseanwendung („Text-to-Speech-Software“) vorlesen lassen.



Diese vorliegende Gebrauchsanweisung
Für Anwender und Fachhändler



Servicehandbuch für Rollstühle
Für Fachhändler



EG-Konformitätserklärung

1 Ihr Produkt



- | | |
|----------------|--|
| 1. Rückenlehne | 7. Vorderräder |
| 2. Bedienpult | 8. Hinterräder / Antriebsräder mit Motoren |
| 3. Armlehne | 9. Akku |
| 4. Sitz | 10. Typenschild |
| 5. Fußstütze | |
| 6. Fußplatte | |

1.1 Optionen

Was die möglichen Optionen betrifft, wenden Sie sich bitte an Ihren Fachhändler. Er berät Sie gern.

2 Vor der Verwendung

2.1 Vorgesehene Verwendung

Dieses Kapitel enthält eine kurze Beschreibung des beabsichtigten Verwendungszwecks Ihres Rollstuhls. Darüber hinaus enthalten die Anweisungen in den anderen Abschnitten auch entsprechende Warnhinweise. Damit wollen wir Sie auf die Möglichkeit der unsachgemäßen Nutzung hinweisen.

- Dieser Rollstuhl ist zur Verwendung im Innen- und Außenbereich geeignet.
- Er ist ausschließlich für den Transport einer (1) Person mit einem Gewicht von maximal 130 kg ausgelegt und hergestellt worden. Er ist nicht dafür vorgesehen, Gegenstände oder Objekte zu transportieren oder zu anderen als den vorstehend beschriebenen Zwecken verwendet zu werden.
- Dieser Rollstuhl kann vom Insassen bedient oder von einer Begleitperson geschoben werden. Sie dürfen diesen Rollstuhl NICHT verwenden, wenn bei Ihnen geistige oder körperliche Behinderungen vorliegen, die Sie oder andere Personen beim Fahren des Rollstuhls in Gefahr bringen können. Suchen Sie daher bitte zunächst Ihren Arzt auf und stellen Sie sicher, dass Ihr Fachhändler über dessen Empfehlung informiert ist.
- Verwenden Sie ausschließlich von Vermeiren genehmigte Zubehör- und Ersatzteile.
- Informieren Sie sich zudem auch über die technischen Daten und die Einschränkungen Ihres Rollstuhls im Kapitel 7.
- Die Garantie für dieses Produkt beruht auf der normalen Verwendung und Wartung gemäß der Beschreibung in diesem Handbuch. Schäden an Ihrem Produkt, die auf den unsachgemäßen Umgang oder mangelnde Wartung zurückzuführen sind, führen zum Erlöschen der Garantie.

2.2 Allgemeine Sicherheitshinweise

**VORSICHT**

Gefahr von Personen- und/oder Sachschäden

Bitte lesen und befolgen Sie die Anweisungen in dieser Bedienungsanleitung, da andernfalls Verletzungsgefahr besteht oder Ihr Rollstuhl beschädigt werden kann.

Beachten Sie bei der Verwendung die folgenden allgemeinen Warnhinweise:

- Verwenden Sie Ihren Rollstuhl nicht, wenn Sie unter dem Einfluss von Alkohol, Medikamenten oder anderen Substanzen stehen, die Ihre Fahrtüchtigkeit beeinträchtigen können.
- Beachten Sie, dass sich einige Komponenten Ihres Rollstuhls durch Einflüsse wie Umgebungstemperatur, Sonneneinstrahlung, Heizvorrichtungen oder Motorantrieb sehr stark aufheizen oder abkühlen können. Daher ist beim Berühren Vorsicht geboten. Tragen Sie bei kaltem Wetter entsprechende Schutzbekleidung. Warten Sie nach dem Betrieb, bis sich der Rollstuhl/Motor abgekühlt hat.
- Achten Sie vor dem Einschalten des Rollstuhls darauf, in welcher Umgebung/Situation Sie sich befinden. Stellen Sie Ihre Geschwindigkeit entsprechend ein, bevor Sie losfahren. Wir empfehlen, beim Fahren in Innenräumen die langsamste Geschwindigkeitseinstellung zu wählen. Beim Fahren im Freien können Sie eine Geschwindigkeit wählen, bei der Sie sich wohl und sicher fühlen.
- Beachten Sie STETS, dass Ihr Rollstuhl bei leerem Akku oder zur Vermeidung etwaiger Schäden plötzlich anhalten kann. Überprüfen Sie auch die im Kapitel 5.3 genannten Ursachen. Legen Sie zum Schutz vor Verletzungen den Sicherheitsgurt an.
- Ihr Rollstuhl wurde auf elektromagnetische Verträglichkeit geprüft und erfüllt die entsprechende Norm (siehe Kapitel 7). Dennoch können Quellen elektromagnetischer Felder wie Mobiltelefone, Stromgeneratoren oder Energiequellen mit hoher Leistung die Fahrleistung Ihres Rollstuhls beeinträchtigen. Andererseits kann auch die Elektronik Ihres

Rollstuhls Einfluss auf andere elektronische Geräte wie Alarmanlagen in Geschäften und Automatiktüren haben. Wir empfehlen Ihnen daher, Ihren Rollstuhl regelmäßig auf Beschädigungen und Verschleiß zu überprüfen, weil dadurch solche Störeinträge verstärkt werden können (siehe auch Kapitel 5).

- Fahren Sie nur auf ebenen Flächen, so dass sich beide Antriebsräder auf dem Boden befinden und ausreichend Kontakt für einen sicheren Betrieb des Rollstuhls haben.
- Ohne vorherige Rücksprache mit dem Hersteller sollten Fixierungspunkte oder Struktur- und Rahmenteile oder -komponenten des Rollstuhls weder verändert noch ersetzt werden.
- Achten Sie während des Betriebs darauf, dass Finger, Kleidung, Gürtel, Schnallen oder Schmuck nicht von den Rädern oder anderen beweglichen Teilen erfasst werden.

Denken Sie bitte daran, dass Ihr Rollstuhl je nach den verwendeten Einstellungen einige Diebstahlsicherungen stören kann. Dadurch kann der Alarm ausgelöst werden.

Jedes schwerwiegende Vorkommnis [MDR (EU) 2017/745 §2 (65)], das im Zusammenhang mit dem Produkt aufgetreten ist, sollte dem Hersteller und der zuständigen Behörde des Mitgliedstaats, in dem der Anwender und/oder Patient ansässig ist, gemeldet werden.

2.3 Symbole am Rollstuhl

Die nachstehend aufgeführten Symbole gelten für Ihren Rollstuhl. Symbole sind in der entsprechenden ISO-Norm (ISO 7000, ISO 7001 und IEC 417) zu finden.



Maximalgewicht des Benutzers (in kg)



Ausschließliche Verwendung im Innenbereich (Akkuladegerät)



Maximale Neigungssicherheit in ° (Grad).



Höchstgeschwindigkeit



Typbezeichnung



Einklemmgefahr

2.4 Transport

VORSICHT

Beschädigungsgefahr

Treffen Sie Vorkehrungen, um den Rollstuhl vor Transportschäden zu schützen.

2.4.1 Abstellen

Verwenden Sie das Bedienpult, um den Rollstuhl dorthin zu bewegen, wo Sie ihn haben wollen. Alternativ stellen Sie den Rollstuhl auf den Freilaufmodus ein (siehe Kapitel 3.4) und verwenden den Schiebebügel.

2.4.2 Transport im Flugzeug

Wenn Sie den Rollstuhl im Flugzeug transportieren, verriegeln Sie den Akku und klemmen ihn ab, bevor Sie den Rollstuhl dem Flughafenpersonal übergeben (siehe §3.9 und §3.8). Der Akku kann im Rollstuhl verbleiben. Wenden Sie sich an die Fluggesellschaft, um sich über die Vorgehensweise zu informieren.

2.4.3 Transport in einem Fahrzeug (als Gepäck)

Die beste Art, Ihren elektrischen Rollstuhl zu transportieren, besteht darin, ihn zusammenzuklappen und in das Fahrzeug zu heben.

1. Als Rollstuhlfahrer auf einen Fahrzeugsitz umsteigen (siehe Kapitel 3.5).
2. Entfernen Sie vor dem Transport alle beweglichen Teile (Taschen, Kopfstütze usw.).
3. Legen Sie die beweglichen Teile sicher hinter dem Fahrzeugsitz oder im Kofferraum ab.
4. Klappen Sie den Rollstuhl zusammen (siehe §2.5) und heben Sie ihn in das Auto (bei Bedarf mit zwei Personen), wobei Sie die festen Rahmenteile anfassen.
5. Verzurren Sie die festen Teile des Rahmens sicher am Fahrzeug.
6. Aktivieren Sie den Fahrmodus (Feststellbremsen betätigen), wobei sichergestellt werden sollte, dass das Bedienpult ausgeschaltet ist.

2.5 Zusammenklappen / Auseinanderklappen

 **VORSICHT** Verletzungsgefahr

- Es ist unbedingt darauf zu achten, dass Ihre Finger, Ihre Kleidung und die Schnallen beim Auseinanderklappen beziehungsweise Zusammenklappen nicht eingeklemmt werden.

Auseinanderklappen des Elektrorollstuhls:

1. Schalten Sie den Rollstuhl aus (OFF).
2. Stellen Sie den Rollstuhl aufrecht auf die Stützräder (1).
3. Ziehen Sie den Sitz und die Rückenlehne auseinander, um den Rahmen aufzuklappen, bis die Halterung (2) einrastet. Sicherstellen, dass der Sperrbügel eingerastet ist.
4. Stellen Sie den Rollstuhl auf die Hinter- und Vorderräder.
5. Klappen Sie die Armlehnen (3) nach unten, bis sie einrasten.
6. Die Fußstütze (4) hinunterklappen.
7. Alle Teile anbringen, die für den Transport abgebaut worden sind.
8. Damit ist Ihr Rollstuhl jetzt einsatzbereit.

Zusammenklappen des Elektrorollstuhls:

1. Schalten Sie den Rollstuhl aus (OFF).
2. Alle losen Teile entfernen.
3. Sicherstellen, dass sich der Rollstuhl im Freilauf befindet (siehe §3.4).
4. Drücken Sie die Knöpfe (5) an den Armlehnen und klappen Sie die Armlehnen (3) nach hinten.
5. Entriegeln Sie den Rahmen, indem Sie den Schiebebügel (2) drücken.
6. Fassen Sie die Rückenlehne und den Sitzrahmen an und drücken Sie sie gegeneinander. Achten Sie dabei darauf, dass der Rollstuhl stabil auf den Stützrädern (1) steht.
7. Klappen Sie die Fußstütze (4) über dem Akku ein.
8. Wenn die Armlehnen herausragen, stellen Sie die Armlehnen so ein, dass sie dicht am Rahmen eine kompaktere Form ergeben.



2.6 Erste Verwendung und Lagerung

 VORSICHT Gefahr eines Akkus Schadens

- Der Akku darf niemals vollständig entladen werden.
- Unterbrechen Sie den Ladezyklus nicht; trennen Sie das Ladegerät erst dann, wenn der Akku vollständig aufgeladen ist.
- Achten Sie darauf, dass Ihr Rollstuhl trocken abgestellt ist, damit sich kein Schimmel bildet und die Polsterung nicht beschädigt wird.
- Informieren Sie sich über die technischen Details der Lagerung (siehe Kapitel 7).

Achten Sie darauf, dass der Akku vollständig aufgeladen ist, bevor Sie Ihren Rollstuhl verwenden. Erkundigen Sie sich bei Ihrem Händler, ob dies bereits geschehen ist oder nicht. Befolgen Sie beim Aufladen die Anweisungen im Kapitel 3.7.

3 Verwendung des Rollstuhls

**WARNUNG**

Verletzungsgefahr

- Lesen Sie bitte zunächst die vorigen Kapitel, um sich über die vorgesehene Verwendung zu informieren. Benutzen Sie den Rollstuhl ERST DANN, wenn Sie alle Anweisungen aufmerksam gelesen und vollständig verstanden haben.
- Bei Zweifeln oder Fragen wenden Sie sich bitte zwecks Hilfe an Ihren Fachhändler, Pflegedienst oder Fachberater.

3.1 Erste Fahrt

**VORSICHT**

Gefahr von Personen- oder Sachschäden

- Berücksichtigen Sie stets den Schwenkbereich der Fußstütze und des Bedienpults, um keine Passanten zu verletzen oder Gegenstände zu beschädigen.
- Trennen Sie immer das Ladegerät vom Rollstuhl, bevor Sie losfahren.



- Stellen Sie sicher, dass Sie mit dem Betrieb Ihres Rollstuhls vertraut sind, bevor Sie ihn an überfüllten und damit möglicherweise gefährlichen Orten benutzen. Üben Sie zunächst in einem weiträumigen, freien Bereich mit wenigen Passanten.
- Erkunden Sie, wie sich eine Schwerpunktverlagerung auf das Fahrverhalten des Rollstuhls auswirkt, indem Sie beispielsweise Steigungen hinauf- und herunterfahren, Schrägen befahren oder Hindernisse überwinden. Lassen Sie sich hierbei von einer anderen Person helfen.
- Während des Betriebs kann sich die Oberfläche des Bedienpults ein wenig aufwärmen.
- Beim Zurücksetzen können Sie nicht allzu schnell fahren.

1. In diesem Zusammenhang ist sicherzustellen, dass
 - der Rollstuhl auf einem flachen Untergrund steht;
 - der Akku voll aufgeladen ist; siehe § 3.7;
 - der Motor angekoppelt ist (siehe Kapitel 3.4)
 - der Rollstuhl auf Ihre Erfordernisse und Komfortwünsche abgestimmt ist (siehe Kapitel 3.6)
 - Sie die korrekte Sitzposition eingenommen haben (siehe Kapitel 3.5)
2. Befolgen Sie die Anweisungen im Handbuch für das Bedienpult.
3. Schalten Sie den Rollstuhl ein.
4. Stellen Sie die Geschwindigkeitssteuerung so niedrig wie möglich ein.
5. Üben Sie, wie man fährt und Einstellungen am Rollstuhl vornimmt.
6. Sobald Sie sich sicher genug fühlen, können Sie dies bei höherer Geschwindigkeit wiederholen.
7. Versuchen Sie nun, sich vorwärts und rückwärts zu drehen. Wiederholen Sie dies mehrmals.
8. Achten Sie darauf, dass Ihr Rollstuhl stabil steht, wenn Sie anhalten.
9. Schalten Sie den Rollstuhl aus.

3.2 Fahren im Freien

**WARNUNG**

Unfallgefahr – Passen Sie Ihr Fahrverhalten und Ihre Geschwindigkeit entsprechend an.

- Halten Sie sich an die jeweils geltenden Straßenverkehrsvorschriften. Dies gilt für das Befahren von Gehwegen sowie unbefestigten oder befestigten Straßen.
- Fahren Sie nicht auf Straßen mit starkem Verkehrsaufkommen.
- Berücksichtigen die jeweiligen Witterungsbedingungen. Vermeiden Sie es, bei feuchtem Wetter, extremer Hitze, Schnee, Glatteis oder Minustemperaturen zu fahren (siehe die technischen Daten im Kapitel 7).

- Achten Sie darauf, dass Sie auch bei Tag stets gut zu sehen sind, indem Sie fluoreszierende Kleidung tragen und/oder eine eigene Beleuchtung vorn und hinten am Rollstuhl anbringen.
- Achten Sie auf andere Verkehrsteilnehmer, für die Ihr Rollstuhl ein Hindernis sein könnte. Besondere Vorsicht ist beim Wenden und beim Zurücksetzen geboten. Falls Sie mit dem Zurücksetzen noch nicht so gut zurechtkommen, sollten Sie dies zunächst auf einer offenen Fläche üben. Zeigen Sie an, wohin Sie fahren wollen, bevor Sie Ihre Fahrtrichtung wechseln.
- Versuchen Sie, enge Passagen gerade zu durchfahren, um nicht steckenzubleiben.
- Berücksichtigen Sie Ihren Bremsweg. Beachten Sie, dass der Bremsweg von Geschwindigkeit, Oberflächenbeschaffenheit, Wetterbedingungen, Gefälle und Gewicht des Insassen abhängt.

3.2.1 Befahren von Steigungen, Bordsteinen, Hindernissen oder Rampen

 **VORSICHT** Verletzungsgefahr bei unerwarteter Bewegung

- Legen Sie zu Ihrem eigenen Schutz den Sicherheitsgurt im Rollstuhl an.
 - Achten Sie darauf, ob der Weg sandig ist, einen weichen Untergrund, Löcher oder Spalten aufweist, in die die Räder hineingeraten können und/oder wo die Bodenhaftung der Antriebsräder beeinträchtigt werden kann.
 - Befahren Sie KEINE Steigungen, Hindernisse, Stufen oder Randsteine, die die Vorgaben des Herstellers übersteigen (siehe die technischen Daten im Kapitel 7).
 - Fahren Sie immer von vorn an Kantsteine heran.
 - Aktivieren Sie an einer Steigung keinesfalls den Freilaufmodus des Rollstuhls. Dadurch kann sich der Rollstuhl in Bewegung setzen und Sie selbst oder auch Umstehende verletzen.
 - Befahren Sie mit Ihrem Rollstuhl keine Rolltreppen.
 - Verwenden Sie ausschließlich von Vermeiren zugelassene Rampen, wobei deren Maximalbelastung keinesfalls überschritten werden darf.
 - Um Hindernisse oder Steigungen sicher zu überwinden, bringen Sie den Rollstuhl in eine möglichst aufrechte Sitzposition.
- i** Wenn Sie an einer Steigung anhalten, wird automatisch die Bremse aktiviert, um zu verhindern, dass der Rollstuhl vorwärts oder rückwärts rollt.

VORSICHT Beschädigungsgefahr

- Parken Sie Ihren elektrischen Rollstuhl immer auf einem flachen Untergrund, und zwar an einer Stelle, wo er leicht zugänglich ist.
- Nehmen Sie ggf. etwas Anlauf, um den Rollstuhl zum Überfahren einer Steigung, eines Hindernisses, Randsteins oder einer Rampe zu beschleunigen. Dabei dürfen weder Sie selbst noch der Rollstuhl durch einen starken Rückprall beeinträchtigt werden.
- Stellen Sie sicher, dass der Rollstuhl aufgrund seiner Schräglage nicht den Boden oder die Rampe berührt.
- Denken Sie daran, dass der Bremsweg an abschüssigen Stellen erheblich länger als auf waagerechtem Untergrund sein kann.

Vorgehensweise

- Beginnen Sie Ihre Fahrt gemäß den Anweisungen im Kapitel 3.1, Schritt 1.
- Verwenden Sie eine Hebevorrichtung oder Rampe, um den Rollstuhl an Treppen/Stufen hinauf- oder herunterzufahren. Sollte dies nicht möglich sein, kann er manuell von mindestens zwei Personen transportiert werden, die ihn mit beiden Händen am Rahmen anfassen. Heben Sie den Rollstuhl weder an der Rückenlehne, der/den Fußstütze(n) oder Armlehnen noch an den Rädern an.
- Bewältigen von Hindernissen oder Steigungen:
 1. Bringen Sie den Rollstuhl in eine möglichst stabile Stellung (siehe Kapitel 3.5).
 2. Fahren Sie so langsam wie möglich, um das Hindernis oder die Steigung zu bewältigen.

3.3 Bedienpult

- i** Stellen Sie den Joystick auf die neutrale / mittlere Position ein, bevor Sie die EIN/AUS-Taste betätigen. Andernfalls wird die Elektronik gesperrt. Um diese Sperre aufzuheben, schalten Sie das Bedienpult aus und dann wieder ein.

1. EIN/AUS-Taste
2. Akkuladestandsanzeige
3. Geschwindigkeitsanzeige
4. Signalhorntaste
5. Verlangsamungstaste
6. Beschleunigungstaste
7. Joystick



3.3.1 Technische Schutzvorkehrungen

Zu Ihrer eigenen Sicherheit und zur Vermeidung von Schäden am Rollstuhl werden die Bewegungen von der Elektronik überwacht. Das kann dazu führen, dass die Geschwindigkeit verringert oder die Fahrt komplett gestoppt wird.


- Damit der Akku nicht versehentlich entladen wird, besitzt Ihr Rollstuhl ein automatisches Abschaltssystem. Dieses System schaltet das Bedienpult automatisch aus, wenn es längere Zeit nicht verwendet wird. In diesem Fall schalten Sie das Bedienpult einfach wieder ein.
- Achten Sie darauf, dass sich der Freilaufhebel in der Bremsstellung befindet, BEVOR Sie den Rollstuhl einschalten. Die elektromagnetischen Bremsen funktionieren NICHT, wenn sich der Rollstuhl im Freilaufmodus befindet. Dies wird auf dem Bedienpult angezeigt. Das Fahren ist dann nicht möglich.

3.3.2 Fahren

1. Zum Einschalten des Rollstuhls drücken Sie die ON/OFF-Taste (1).
2. Wenn die Leuchten der Akkuladeanzeige (2) und der Geschwindigkeitsanzeige (3) aufleuchten, ist der Rollstuhl eingeschaltet und fahrbereit.
3. Kontrollieren Sie die Akkustatusanzeige. Laden Sie den Akku ggf. auf (siehe Kapitel 3.7).
4. Stellen Sie die Fahrgeschwindigkeit ein: Verringern Sie die Geschwindigkeit mit der Verlangsamungstaste (5) oder erhöhen Sie die Geschwindigkeit mit der Beschleunigungstaste (6).
5. Setzen Sie den Rollstuhl in Bewegung, indem Sie den Joystick (7) langsam vorwärts / rückwärts bewegen.
6. Die Geschwindigkeit wird umso schneller, je stärker der Joystick aus der Mitte bewegt wird.
7. Um nach links oder rechts zu fahren, drücken Sie den Joystick entsprechend nach links bzw. rechts.
8. Um abzubremsen, bringen Sie den Joystick in die Neutralstellung.
9. Betätigen Sie bei Bedarf die Hupentaste (4), um andere Verkehrsteilnehmer zu warnen.
10. Kontrollieren Sie nach der Ankunft den Akkustatus und betätigen Sie die EIN/AUS-Taste, um den Rollstuhl auszuschalten.
11. Laden Sie den Akku ggf. auf.

3.4 Bremse und Freilaufhebel

 VORSICHT Gefahr von Körperverletzungen oder Schäden

- Betätigen Sie den Freilaufhebel nur, wenn Ihr Rollstuhl AUS ist! Der Freilaufhebel sollte von einem Assistenten bedient werden. Betätigen Sie den Freilaufhebel NIEMALS, wenn Sie Ihre Sitzposition eingenommen haben.
- Aktivieren Sie den Freilaufmodus niemals an einer Steigung oder einem Gefälle (siehe das Symbol am Motor): 

i Achten Sie darauf, dass sich der Freilaufhebel in der Bremsstellung befindet, BEVOR Sie den Rollstuhl einschalten. Die elektromagnetischen Bremsen funktionieren NICHT, wenn sich der Rollstuhl im Freilaufmodus befindet. Dies wird auf dem Bedienpult angezeigt. Das Fahren ist dann nicht möglich.

Ihr Rollstuhl besitzt elektromagnetische Bremsen. Die Funktionsweise der Bremsen ist von der Stellung des Freilaufhebels (1) abhängig.

Die elektromagnetischen Bremsen funktionieren automatisch, **jedoch nur**, wenn sich der Freilaufhebel (1) in der Bremsstellung befindet. Die Bremsen werden aktiviert, wenn:

- der Rollstuhl ausgeschaltet (OFF) ist;
- der Rollstuhl eingeschaltet (ON) ist und der Joystick losgelassen wird.

Wenn der Joystick losgelassen wird, stoppt der Rollstuhl langsam und die Bremsen werden aktiviert.

Bedienung des Freilaufhebels:



- Drehen Sie die Hebel hoch (UP), um den Freilaufmodus zu aktivieren. Damit ist der Motor nun getrennt. Der Rollstuhl kann manuell bewegt werden.



- Drehen Sie die Hebel hinunter (DOWN), um den Motor mit dem Antrieb zu verbinden. Dies sollte erfolgen, bevor der Rollstuhl gestartet wird.



3.5 Umsetzen in den/aus dem Rollstuhl

 VORSICHT Gefahr von Körperverletzungen oder Schäden

- Falls Sie den Transfer allein nicht sicher bewältigen können, bitten Sie jemanden um Hilfe.
- Stellen Sie sich beim Umsetzen in den oder aus dem Rollstuhl nicht auf die Fußplatten.

Umsetzen

1. Stellen Sie den Rollstuhl möglichst dicht neben sich, wenn Sie in einem Sessel, auf einem Sofa, Stuhl oder Bett sitzen.
2. Zum Bremsen drehen Sie den Freilaufhebel (13) in die Bremsposition (siehe § 3.4).
3. Klappen Sie die Fußplatte(n) hoch, um sich nicht darauf zu stellen.
4. Klappen Sie ggf. eine Armlehne zurück, um mehr Platz zu haben (siehe Kapitel 2.5).
5. Setzen Sie sich aus eigener Kraft mit den Armen oder mithilfe von Dritten in den Rollstuhl oder heben Sie sich aus ihm heraus.

Sitzen im Rollstuhl

1. Setzen Sie sich so hin, dass der untere Rückenbereich an der Rückenlehne anliegt.
2. Klappen Sie die Fußplatte(n) wieder herunter und stellen Sie Ihre Füße darauf.
3. Klappen Sie die Armlehne, sofern zutreffend, hinunter.

Justierung für eine stabile Position

Wenn der Rollstuhl transportiert werden soll oder Sie Hindernisse damit bewältigen wollen, muss er so justiert werden, dass seine maximale Stabilität gewährleistet ist:

- Rückenlehne aufrecht
- Fußplatte hochgeklappt

3.6 Komforteinstellungen



VORSICHT

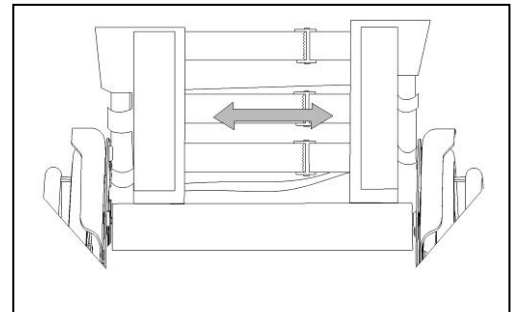
Gefahr von Körperverletzungen oder Schäden

- Die folgenden Komforteinstellungen können vom Begleit- oder Pflegepersonal vorgenommen werden. Alle sonstigen Einstellungen sind vom Fachhändler gemäß den Montageanweisungen vorzunehmen (siehe Vorwort).
- Achten Sie bei den Justierungen am Rollstuhl darauf, dass Ihre Finger, Kleidung oder Schnallen nicht eingeklemmt werden.

3.6.1 Rückenlehnen stütze

Die Rückenlehne des Rollstuhls verfügt über ein Aufhängesystem mit verstellbaren Klettverschlüssen zur Einstellung der Flexibilität der Rückenlehne.

1. Ziehen Sie das Rückenkissen von den Klettverschlüssen der Rückenlehne ab.
2. Lösen Sie die Klettverschlüsse.
3. Ziehen Sie den jeweiligen Gurt in die gewünschte Position. Die Spannung der einzelnen Gurte kann geändert und damit die gewünschte Unterstützung des Rückens eingestellt werden.
4. Legen Sie das Rückenkissen beginnend auf der Vorderseite und auf der Rückseite endend über die Rückenlehne.
5. Sichern Sie die Klettverbindungen, indem Sie das Kissen mit der Hand gegen die Rückenlehne drücken.
6. Sicherstellen, dass alle Gurte mit einem Klettverschluss gesichert sind.



3.7 Akkustatus und Aufladung



WARNUNG

Gefahr von Personen- und Sachschäden durch Feuer

- Verwenden Sie ausschließlich das zum Lieferumfang des Rollstuhls gehörende Ladegerät. Die Verwendung eines anderen Ladegeräts kann gefährlich sein (Brandgefahr).
- Das Ladegerät ist nur dafür vorgesehen, die mit dem Rollstuhl mitgelieferten Akkus aufzuladen, keine anderen Akkus.
- Nehmen Sie keine Veränderungen an den mitgelieferten Teilen, wie beispielsweise Kabel, Stecker oder dem Ladegerät, vor. Der Akku beziehungsweise die Anschlüsse dürfen keinesfalls geöffnet oder verändert werden.
- Schützen Sie den Akku und das Ladegerät vor offenem Feuer, hohen und niedrigen Temperaturen (siehe Kapitel 7), Feuchtigkeit, Sonneneinstrahlung und starken Erschütterungen (z. B. Sturz). Verwenden Sie den Akku unter diesen Umständen NICHT.
- Laden Sie den Akku mit Hilfe des Ladegeräts in einem gut belüfteten Bereich außerhalb der Reichweite von Kindern auf.

VORSICHT

Beschädigungsgefahr

DE

- Der Akku wird durch die Selbstentladung und den Ruhestrom der angeschlossenen Verbraucher allmählich entladen. Der Akku kann irreversibel beschädigt werden, wenn er vollständig entladen wird. Achten Sie somit darauf, den Akku rechtzeitig wieder aufzuladen (siehe 3.7).
- Lesen Sie sich die Lagerungs- und Wartungsanweisungen im Kapitel 5 sowie die technischen Details im Kapitel 7 durch.
- Laden Sie Akkus nie bei Temperaturen unter 0°C auf. Bringen Sie den Akku an einen wärmeren Ort und starten Sie den Aufladevorgang.
- Schützen Sie die Anschlüsse des Ladegeräts vor Staub und anderen Verunreinigungen.
- Sollte sich der Akku nicht gemäß den nachstehenden Anweisungen aufladen lassen, wenden Sie sich bitte an Ihren Fachhändler.

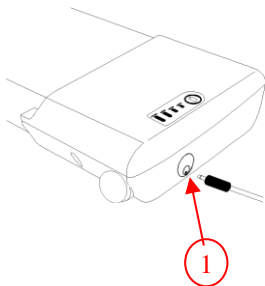
Alle Angaben zur Akkustatusanzeige entnehmen Sie bitte dem §3.7.

- i** Das Akkuladegerät sollte von der Netzstromversorgung getrennt werden, wenn es nicht verwendet wird. Dies verhindert den unnötigen Energieverbrauch.

Überprüfen Sie den Akku vor dem Aufladen immer auf Schäden. Drücken Sie die Ladeanzeigetaste 2 Sekunden lang, um den Akku einzuschalten. Wenn keine LED der Ladeanzeige aufleuchtet, ist der Akku möglicherweise beschädigt. Wenn mindestens eine, aber nicht alle LEDs der Ladeanzeige aufleuchten, laden Sie den Akku vor dem ersten Gebrauch vollständig auf.

Laden oder verwenden Sie einen beschädigten Akku nicht, sondern wenden Sie sich an Ihren Fachhändler.

Um die volle Akkukapazität zu gewährleisten, laden Sie den Akku vor der ersten Nutzung vollständig über das Ladegerät auf. Der Akku kann jederzeit am Rollstuhl oder auch im ausgebauten Zustand aufgeladen werden.



Anweisungen zum Aufladen des Akkus:

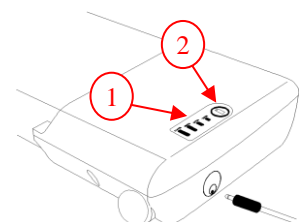
1. Schalten Sie den Akku aus.
2. Entnehmen Sie, falls gewünscht, den Akku aus dem Akkugehäuse, wobei verhindert werden muss, dass Schmutz oder Flüssigkeiten in die Ladebuchse gelangen.
3. Schließen Sie den Stecker des Ladegeräts an das Akkupaket an ①.
4. Stecken Sie den Netzstecker des Ladegeräts in die Steckdose.
5. Die LED-Anzeige am Ladegerät zeigt den Status des Ladevorgangs an:
 - Rot - Aufladen
 - Grün - Standby / Voll aufgeladen
6. Sobald der Akku vollständig aufgeladen ist, ziehen Sie das Ladegerät aus der Steckdose und aus dem Akku.

3.7.1 Akkuladestandsanzeige

Es gibt zwei Akkuladestandsanzeigen:

Auf dem Akkupaket:

1. Drücken Sie die Taste ② auf dem Akkupaket.
2. Den LEDs der Akkuladestandsanzeige ① ist der Ladezustand des Akkus zu entnehmen.





Bedienpult:

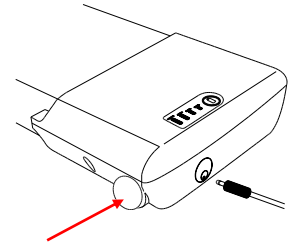
Wenn die elektrische Anlage eingeschaltet ist, zeigt die Akkuanzeige (2, §3.3) den Ladezustand des Akkus an.

- Alle LEDs leuchten: Der Akku ist voll aufgeladen.
- Nur das rote LED leuchtet oder blinkt: Akku sofort aufladen.

Aufgrund der Verkabelung können die beiden Anzeigen ein wenig unterschiedlich sein. Verwenden Sie in diesem Fall die ungünstigere Ladezustandsanzeige.

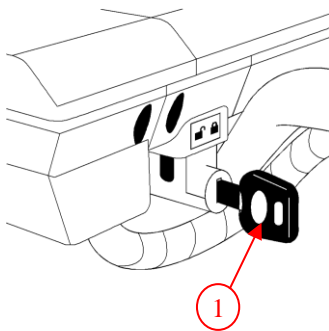
3.8 Ein- und Ausschalten des elektrischen Geräts

Betätigen Sie den seitlich am Akku befindlichen Ein/Aus-Schalter.



3.9 Einsetzen / Entnehmen des Akkus

Der Akku lässt sich zum einfachen Aufladen vom Rollstuhl abnehmen.



Entriegelung



Verriegelung



Montage des Akkus:

1. Stecken Sie den Schlüssel ein ① und drehen Sie den Schlüssel in Richtung des Entriegelungssymbols.
2. Schieben Sie den Akku so weit wie möglich in das Akkugehäuse ein. Es gibt nur eine Möglichkeit zum Einsetzen des Akkus.
3. Drehen Sie den Schlüssel ① auf das Verriegelungssymbol.
4. Achten Sie darauf, dass der Akku gut gesichert ist.
5. Ziehen Sie den Schlüssel ab ①. (Ziehen Sie den Schlüssel niemals während der Fahrt ab).

Entnahme des Akkus:

1. Stecken Sie den Schlüssel ein ①.
2. Drehen Sie den Schlüssel ① auf das Entriegelungssymbol.
3. Ziehen Sie den Akku vorsichtig aus dem Akkugehäuse.

4 Installation und Justierung

Die in diesem Kapitel enthaltenen Anweisungen richten sich an Fachhändler.

Erkundigen Sie sich bei der nächstgelegenen Vermeiren Geschäftsstelle nach einem Servicepunkt oder Fachhändler in Ihrer Nähe.

 **WARNUNG** Gefahr von Körperverletzungen und Schäden

- Verwenden Sie nur die in diesem Handbuch beschriebenen Einstellungen.

4.1 Werkzeuge

Für den Aufbau des Rollstuhls werden folgende Werkzeuge benötigt:

- Inbusschlüssel Nr. 4
- Inbusschlüssel Nr. 10

4.2 Lieferumfang

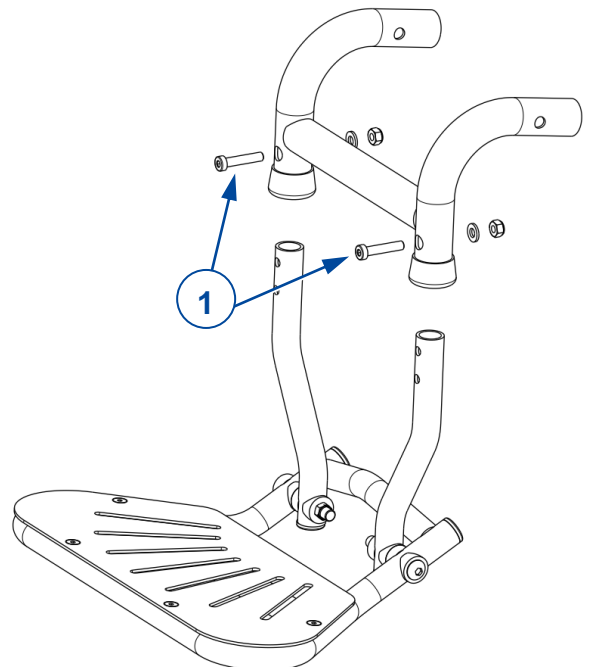
Im Lieferumfang des Vermeiren Plego sind enthalten:

- 1 Rahmen mit Armlehnen, Hinter- und Vorderräder, Fußstütze
- Werkzeuge
- Handbuch
- Zubehör (optional)

4.3 Einstellung der Fußstütze


Die Länge der Fußstütze lässt sich in Schritten von je 20 mm auf zwei Positionen einstellen:

1. Die Schrauben und Muttern herausnehmen (1).
2. Stellen Sie die Fußstütze auf die gewünschte Länge ein.
3. Die Schrauben und Muttern wieder festziehen.



5 **Wartung**

5.1 **Wartungstermine**

 **VORSICHT** Gefahr von Personen- oder Sachschäden

Reparaturen und Erneuerungen dürfen nur von geschultem Personal und mit Original-Ersatzteilen von Vermeiren durchgeführt werden.

i Auf der letzten Seite dieses Handbuchs befindet sich ein Registrierungsformular, in das der Fachhändler alle Wartungen eintragen kann.

Die Wartungshäufigkeit hängt von der Häufigkeit und Intensität der Nutzung ab. Wenden Sie sich an Ihren Händler, um einen allgemeinen Zeitplan für die Inspektion/Wartung/Reparatur zu vereinbaren.

Lesen Sie sich in der Bedienungsanleitung für das mitgelieferte Akkuladegerät die Wartungshinweise durch.

Bezüglich des Wartungshandbuchs besuchen Sie die Vermeiren-Website unter: www.vermeiren.com.

Vor jeder Verwendung

Überprüfen Sie die folgenden Aspekte:

- Alle Teile: vorhanden und nicht beschädigt oder abgenutzt.
- Alle Teile: sauber (siehe Kapitel 5.2.2)
- Räder, Sitz, Armlehnen, Fußstützen und Kopfstütze (sofern vorhanden): gut gesichert.
- Akkustatus: laden Sie den Akku ggf. auf (siehe Kapitel 3.7)
- Bedienpult, Akku, Antriebsmodul, Motoren, Ladegerät, Leuchten und relevante Kabel: keine Beschädigungen (z. B. durchgescheuerte, gerissene oder freiliegende Kabel).
- Zustand der Räder/Reifen (siehe Kapitel 5.2.1).
- Zustand der Rahmenteile: keine Deformation, Instabilität, Schwachstelle oder lose Verbindungen.
- Sitz, Rückenlehne, Armpolster, Wadenpolster und Kopfstütze (sofern vorhanden): keine übermäßigen Verschleißerscheinungen (wie Dellen, Beschädigungen oder Risse)

Wenden Sie sich wegen etwaiger Reparaturen oder Ersatzteilen an Ihren Fachhändler.

Monatlich

Wenn Ihr Rollstuhl längere Zeit nicht verwendet wird, sollten Sie dennoch die Akkus einmal im Monat aufladen. Während dieser Phase kann das Ladegerät auch weiterhin an den Akku und den Netzstrom angeschlossen bleiben. Genauere Informationen entnehmen Sie bitte dem Kapitel 3.7.

Jährlich oder häufiger

Lassen Sie Ihren Rollstuhl mindestens einmal im Jahr oder öfter von Ihrem Fachhändler überprüfen und warten. Die minimale Wartungshäufigkeit ist von der Verwendung abhängig und sollte daher zusammen mit Ihrem Fachhändler abgesprochen werden.

Bei Lagerung

Achten Sie darauf, dass Ihr Rollstuhl trocken abgestellt wird, um zu verhindern, dass sich Schimmel bildet oder die Polsterung beschädigt wird.

5.2 **Wartungshinweise**

5.2.1 **Räder und Reifen**

i Die korrekte Funktionsweise der Bremsen ist vom Zustand der Reifen abhängig und kann sich durch Verschleiß und Verunreinigung (Wasser, Öl, Matsch usw.) verändern.

- Achten Sie darauf, dass keine Drähte, Haare, Sand oder Fasern an den Rädern anhaften.
- Überprüfen Sie regelmäßig das Reifenprofil. Wenn die Profiltiefe weniger als 1 mm beträgt, müssen die Reifen ausgewechselt werden. Wenden Sie sich hierzu an Ihren Fachhändler.

5.2.2 Reinigung

ACHTUNG

Beschädigungsgefahr durch Feuchtigkeit

- Halten Sie das Bedienpult sauber und schützen Sie es vor Wasser und Regen.
- Benutzen Sie keinesfalls einen Wasserschlauch oder Hochdruckreiniger, um den Rollstuhl zu reinigen.

Wischen Sie alle festen Teile des Rollstuhls mit einem feuchten (nicht durchnässten) Tuch ab. Benutzen Sie ggf. eine milde Seife, die für Lacke und Kunststoffe geeignet ist.

Die Polsterung kann mit lauwarmem Wasser und einer milden Seife gereinigt werden. Verwenden Sie keine scheuernden Reinigungsmittel.

Halten Sie die Lüftungsöffnungen des Ladegeräts sauber, wobei darauf zu achten ist, dass sich kein Staub ansammelt. Entfernen Sie vorhanden Staub durch Blasen und reinigen Sie das Gehäuse des Ladegeräts bei Bedarf mit einem angefeuchteten Tuch.

5.2.3 Desinfektion

VORSICHT

Beschädigungsgefahr

Die Desinfektion ist ausschließlich entsprechend geschultem Personal vorbehalten. Wenden Sie sich hierfür an Ihren Fachhändler.

5.3 Störungsbehebung

Auch bei ordnungsgemäßer Verwendung Ihres Rollstuhls kann ein technisches Problem auftreten.

In diesem Fall wenden Sie sich bitte an Ihren Fachhändler.



WARNUNG

Gefahr von Körperverletzungen und Schäden am Rollstuhl.

- Versuchen Sie KEINESFALLS, Ihren Rollstuhl selbst zu reparieren.
- Bei Störungen am Bedienpult wenden Sie sich bitte an Ihren Fachhändler. Er oder sie entscheidet, ob das Bedienpult neu programmiert werden muss.

Im Störfall erscheint ein Fehlercode auf dem Bedienpult, siehe §6.

Die nachstehend genannten Symptome können auf ein ernsthaftes Problem hindeuten. In den folgenden Fällen sollten Sie sich daher stets an Ihren Fachhändler wenden:

- Ungewöhnliche Geräusche;
- Durchgescheuerte/beschädigte Verkabelung;
- Gerissene oder gebrochene Steckverbinder;
- Ungleichmäßige Abnutzung an einem der Reifen;
- Ruckartige Bewegungen;
- Rollstuhl zieht zu einer Seite;
- Beschädigte oder gebrochene Radeinheiten;
- Der Rollstuhl lässt sich nicht einschalten (Sicherheit durchgebrannt);
- Der Rollstuhl ist eingeschaltet, bewegt sich aber weder nicht (siehe 3.4)

5.4 Voraussichtliche Lebensdauer

Die durchschnittliche Lebensdauer Ihres Rollstuhls beträgt 5 Jahre. Je nach Nutzungshäufigkeit, Betriebsbedingungen und Wartung kann die Lebensdauer Ihres Rollstuhls länger oder kürzer sein.

5.5 Wiederverwendung

Lassen Sie den Rollstuhl vor jeder Wiederverwendung desinfizieren, inspizieren und gemäß den Anweisungen im Kapitel 5.1 und 5.2 warten.

5.6 Nutzungsende

Am Ende seiner Lebensdauer muss Ihr Rollstuhl gemäß den geltenden Umweltvorschriften entsorgt werden. Dazu wird er nach Möglichkeit zerlegt, um den Transport wiederverwertbarer Teile zu erleichtern.

6 Störungsbehebung



Gefahr von Körperverletzungen sowie Schäden am Bedienpult oder am Rollstuhl.

- Versuchen Sie **KEINESFALLS**, das Bedienpult selbst zu reparieren.
- Bei Störungen am Bedienpult wenden Sie sich bitte an Ihren Fachhändler. Er entscheidet, ob das Bedienpult neu programmiert werden muss.

Im Fall einer möglichen Störung zeigt das blinkende LED-Lämpchen einen Systemcode für die Akkustatusanzeige an (siehe §3.3 (2)). Mögliche Systemcodes sind in der folgenden Tabelle zusammengefasst. Einige Probleme können Sie auch selbst beheben. Bei allen grau hinterlegten Fehlern wenden Sie sich bitte an Ihren Fachhändler.

Tabelle 2: Störungsbehebung

Code	Problem	Bedeutung
1	Leerer Akku / schlechter Akkuanschluss	Überprüfen Sie die Akkuanschlüsse. Wenn die Anschlüsse in Ordnung sind, versuchen Sie, die Akkus zu laden.
2	Schlechter Anschluss des linken Motors oder Encoders	Überprüfen Sie die Anschlüsse am linken Motor und am Encoder.
3	Fehlerhafte Verkabelung am linken Motor / Blockierzustand	
4	Schlechter Anschluss des rechten Motors oder Encoders	Überprüfen Sie die Anschlüsse des rechten Motors und des Encoders.
5	Fehlerhafte Verdrahtung am rechten Motor / Stillstand	
7	Joystick-Fehler	Sicherstellen, dass sich der Joystick in der Mitte befindet, bevor Sie die Steuerung einschalten.
7 + S ¹	Kommunikationsfehler	Sicherstellen, dass das Kabel des Joystick-Moduls gut angeschlossen und nicht beschädigt ist.
8	Möglicher Steuerungsfehler	Sicherstellen, dass alle Anschlüsse gut gesichert sind.
9	Schlechter Anschluss der Handbremse	Überprüfen Sie die Feststellbremse und die Motoranschlüsse. Sicherstellen, dass die Steuerungsanschlüsse gut gesichert sind.
10	Zu hohe Spannung	Eine zu hohe Spannung ist in der Regel auf einen schlechten Akkuanschluss zurückzuführen. Die Akkuanschlüsse überprüfen.

¹S = Blinkende LEDs der Geschwindigkeitsanzeige.

7 Technische Daten

Die nachstehenden technischen Daten für diesen Rollstuhl gelten nur bei Standardeinstellungen und optimalen Umgebungsbedingungen. Berücksichtigen Sie diese Details bei der Verwendung. Die Werte gelten nicht mehr, wenn Ihr Rollstuhl modifiziert wurde, beschädigt worden ist oder starke Verschleißerscheinungen aufweist. Beachten Sie, dass die Fahrleistung von der Umgebungstemperatur, der Feuchtigkeit, der Steigung (Bergauf-/Bergabfahrten), der Oberflächenbeschaffenheit und dem Akkustatus beeinflusst wird.

Tabelle 1: Technische Daten

Marke	Vermeiren
Typ	Elektrischer Rollstuhl, Klasse A
Modell	Plego
Max. Benutzergewicht	130 kg

Beschreibung	Abmessungen
Gesamtlänge mit Beinstütze	1000 mm
Gesamtbreite	595 mm
Gesamthöhe	980 mm
Länge zusammengeklappt	450 mm
Breite zusammengeklappt	595 mm
Höhe zusammengeklappt	980 mm
Gesamtgewicht	24,5 kg
Energieverbrauch *	12,8 Ah 15 km 17,5 Ah: 21 km
Neigungsgrad	10°
Überwinden von Hindernissen	15 mm
Höchstgeschwindigkeit	6 km/h
Max. Bremsweg bei max. Geschw.	1 m
Sitzflächenwinkel,	5°
Effektive Sitztiefe	430 mm
Effektive Sitzbreite	450 mm
Sitzflächenhöhe an der Vorderkante	530 mm
Rückenlehnenwinkel	5°
Rückenlehnenhöhe	460 mm
Abstand zwischen Fußstütze und Sitz	440 - 460 mm
Winkel zwischen Bein und Sitzfläche	81°
Abstand zwischen Armlehne und Sitz	195 mm
Vordere Position der Armlehnenstruktur	404 mm
Mindest-Wenderadius	1145 mm
Bodenfreiheit	65 mm
Durchmesser der Hinterräder	12 Zoll
Art der Hinterräder **	PU-Reifen
Durchmesser der Vorderräder	200x50
Art der Vorderräder **	PU-Reifen



Marke	Vermeiren
Typ	Elektrischer Rollstuhl, Klasse A
Modell	Plego
Max. Benutzergewicht	130 kg

Beschreibung der Elektrik	
Akku	12,8 Ah 17,5 Ah
Antriebsmotoren	2 x 250 W
Schmelzsicherung	20 A
Festigkeitsprüfungen gemäß	ISO 7176-8
Prüfung des Antriebs- und Steuerungssystems gemäß	ISO 7176-14
Entzündbarkeit der Polsterung gemäß	EN1021-2:2006
EMV-Verträglichkeit	ISO 7176-21
Schutzart	IPX4
Geräuschpegel	< 65 dB (A)
Temperaturbereich für die Verwendung und Lagerung	+5°C ~ +41°C
Betriebstemperatur der Elektronik	-10°C ~ +40°C
Feuchtigkeit während des Betriebs und bei der Lagerung	30 % ~ 70 %

Technische Änderungen vorbehalten. Messtoleranz: ± 15 mm / 1,5 kg / 1,5 °

*** Die theoretische Reichweite verringert sich, wenn mit dem Rollstuhl häufig Steigungen, unebenes Terrain oder Bordsteinkanten befahren werden.**

****Da unterschiedliche Reifen zum Einsatz kommen können, achten Sie bitte auf den korrekten Reifendruck für die jeweils verwendeten Reifen. Bezüglich anderer Reifendurchmesser wenden Sie sich bitte an Ihren Fachhändler.**

Sommaro

IT

Sommaro	1
Premessa	2
1 Il prodotto	3
1.1 Opzioni.....	3
2 Prima dell'uso	4
2.1 Uso previsto.....	4
2.2 Istruzioni generali di sicurezza.....	4
2.3 Simboli presenti sulla carrozzina.....	5
2.4 Trasporto.....	5
2.5 Chiusura/apertura.....	6
2.6 Primo utilizzo e rimessaggio.....	7
3 Uso della carrozzina	8
3.1 Primo utilizzo.....	8
3.2 Guida all'aperto.....	8
3.3 Console di comando.....	10
3.4 Freno e leva di ruota libera.....	11
3.5 Trasferimento alla/dalla carrozzina.....	11
3.6 Regolazioni per il comfort.....	12
3.7 Stato e ricarica delle batterie.....	12
3.8 Accensione e spegnimento del dispositivo elettrico.....	14
3.9 Montaggio / rimozione della batteria.....	14
4 Installazione e regolazione	15
4.1 Attrezzi.....	15
4.2 Modalità di consegna.....	15
4.3 Regolazione del poggiatesta.....	15
5 Manutenzione	16
5.1 Intervalli di manutenzione.....	16
5.2 Istruzioni per la manutenzione.....	16
5.3 Soluzione dei problemi di funzionamento.....	17
5.4 Durata prevista.....	17
5.5 Utilizzi successivi.....	18
5.6 Fine vita.....	18
6 Soluzione dei problemi di funzionamento	19
7 Specifiche tecniche	20

Premessa

IT

Congratulazioni! Ora possiede una carrozzina Vermeiren!

Questa carrozzina è realizzata da personale qualificato e competente. Essa è progettata e prodotta secondo gli elevati standard di qualità garantiti da Vermeiren.

Grazie per la fiducia accordata ai prodotti Vermeiren. Questo manuale viene fornito come supporto per l'uso della carrozzina e delle sue opzioni operative. Leggerlo attentamente, in quanto aiuta a familiarizzarsi con il funzionamento, le prestazioni e le limitazioni della carrozzina.

Per eventuali ulteriori domande successive alla lettura di questo manuale, rivolgersi al proprio rivenditore specializzato, che sarà lieto di fornire un supporto.

Nota importante

Per garantire la propria sicurezza e prolungare la durata del prodotto, trattarlo con cura e farlo controllare e/o sottoporlo a manutenzione con regolarità.

Questo manuale rispecchia gli sviluppi più recenti del prodotto. Vermeiren si riserva il diritto di introdurre modifiche di questo tipo di prodotto senza alcun obbligo di adattare o sostituire i prodotti analoghi consegnati in precedenza.

Le immagini vengono utilizzate per chiarire le istruzioni contenute nel manuale. I dettagli del prodotto raffigurato possono essere diversi da quelli del prodotto in uso.

Informazioni disponibili

Sul sito Web di Vermeiren, all'indirizzo <http://www.vermeiren.com/> è sempre disponibile la versione più recente delle informazioni indicate di seguito. Visitare con regolarità tale sito per verificare l'esistenza di eventuali aggiornamenti.

Le persone ipovedenti possono scaricare la versione elettronica di questo manuale e farlo leggere da un software applicativo di sintesi vocale.



Questo manuale utente
Per l'utente e il rivenditore specializzato



Manuale di assistenza per le carrozzine
Per il rivenditore specializzato



Dichiarazione di conformità CE

1 Il prodotto



- | | |
|-----------------------|--|
| 1. Schienale | 7. Ruote anteriori |
| 2. Console di comando | 8. Ruote posteriori / Ruote motrici con motori |
| 3. Bracciolo | 9. Batteria |
| 4. Sedile | 10. Targhetta di identificazione |
| 5. Poggiapiedi | |
| 6. Pedana | |

1.1 Opzioni

Per le opzioni, rivolgersi al proprio rivenditore specializzato. Sarà lieto di consigliarvi.

2 Prima dell'uso

IT

2.1 Uso previsto

Questo paragrafo fornisce una breve descrizione dell'uso previsto della carrozzina. Gli altri paragrafi aggiungono inoltre alle istruzioni ulteriori avvertenze di rilievo. Vermeiren desidera in tal modo portare all'attenzione dell'utente gli eventuali usi errati che possono presentarsi.

- Questa carrozzina è adatta per l'uso al coperto e all'aperto.
- Essa è progettata e realizzata esclusivamente per il trasporto/trasferimento di una (1) persona di peso non superiore a 130 kg. Essa non è viceversa progettata per il trasporto di merci od oggetti, né per qualunque uso diverso da quello descritto in precedenza.
- Questa carrozzina può essere azionata dall'utente seduto sulla stessa, oppure spinta da un assistente. **NON** utilizzare la carrozzina senza assistenza se si soffre di disabilità fisiche o mentali in grado di mettere in pericolo sé o altri durante l'uso. Consultare pertanto anzitutto il proprio medico e avere cura di trasmettere il suo parere al proprio rivenditore specializzato.
- Utilizzare esclusivamente accessori e ricambi approvati da Vermeiren.
- Leggere tutte le informazioni tecniche di dettaglio e le limitazioni della carrozzina, riportate nel capitolo 7.
- La garanzia del prodotto presuppone un uso e una manutenzione normali del medesimo, come descritti in questo manuale. I danni al prodotto dovuti a uso improprio o manutenzione carente causano la decadenza della garanzia.

2.2 Istruzioni generali di sicurezza

 **ATTENZIONE** Rischio di lesioni e/o danni

Leggere e osservare le istruzioni contenute in questo manuale. In caso contrario, è possibile ferirsi o danneggiare la carrozzina.

Durante l'uso, tenere presenti le seguenti avvertenze generali:

- Non utilizzare la carrozzina se si è sotto l'effetto di alcool, farmaci o altre sostanze in grado di influire sulle proprie capacità di guida.
- Non dimenticare che alcune parti della carrozzina possono diventare molto calde o fredde a causa della temperatura ambiente, della radiazione solare, di dispositivi di riscaldamento o dell'azionamento del motore elettrico durante la marcia. Prestare attenzione quando si tocca la carrozzina. In condizioni climatiche fredde, indossare indumenti protettivi. Dopo l'uso, attendere che la carrozzina / il motore elettrico si sia raffreddato.
- Prima di accendere la carrozzina, prestare attenzione all'ambiente / alla situazione in cui ci si trova. Regolare di conseguenza la velocità prima di mettersi in movimento. Per l'uso al coperto, si consiglia di adottare l'impostazione di velocità minima. Per l'uso all'aperto, è possibile regolare la velocità su un valore appropriato, che dia una sensazione di comfort e sicurezza.
- Tenere **SEMPRE** presente la possibilità che la carrozzina si arresti improvvisamente per l'esaurimento di una batteria o l'intervento di una protezione che evita ulteriori danni alla carrozzina stessa. Verificare inoltre le possibili cause indicate al § 5.3. Allacciare la cintura di sicurezza, per evitare di subire lesioni.
- La carrozzina è stata sottoposta a prove di compatibilità elettromagnetica ed è conforme alla relativa norma; vedere il capitolo 7. Le fonti di campi elettromagnetici, come quelli di telefoni cellulari, generatori di corrente o fonti energetiche di grande potenza, possono tuttavia influire sulle prestazioni di guida della carrozzina. L'elettronica della carrozzina può d'altro canto influire su altri apparati elettronici, come i sistemi di allarme dei negozi e le porte automatiche. Si consiglia pertanto di sottoporre la carrozzina a verifiche regolari degli eventuali danni e

dell'usura, poiché i medesimi possono rendere più intense le interferenze (vedere anche il capitolo 4).

- Guidare la carrozzina soltanto su superfici piane, dove entrambe le ruote motrici siano a contatto con il suolo e l'aderenza sia sufficiente per azionare la carrozzina in condizioni di sicurezza.
- Consultare il produttore della carrozzina prima di modificare o sostituire i punti di assicurazione della stessa, oppure componenti o parti della sua struttura o del suo telaio.
- Accertarsi che durante l'uso mani, indumenti, cinture, fibbie o gioielli non si impiglino nelle ruote o in altri componenti in movimento.

Prestare attenzione alla possibilità che la carrozzina interferisca con alcuni tipi di sistemi antifurto, a seconda delle impostazioni utilizzate. Ciò può fare scattare l'allarme dei negozi.

Qualsiasi incidente grave [MDR (EU) 2017/745 §2 (65)] verificatosi in relazione all'ausilio deve essere segnalato al fabbricante e all'autorità competente dello Stato membro in cui si trova l'utilizzatore e/o il paziente.

2.3 Simboli presenti sulla carrozzina

Sulla carrozzina sono applicati i simboli elencati di seguito. I simboli sono riportati nella norma ISO pertinente (ISO 7000, ISO 7001 e IEC 417).



Peso massimo dell'utente, in kg



Uso soltanto al coperto (caricabatterie)



Pendenza massima di sicurezza, in ° (gradi).



Velocità massima



Indicazione del modello



Rischio di intrappolamento

2.4 Trasporto

ATTENZIONE

Rischio di danni

Avere cura di proteggere la carrozzina dai danni durante il trasporto.

2.4.1 Spostamento

Utilizzare la console di comando per condurre a destinazione la carrozzina.

In alternativa, portare la carrozzina nella modalità a ruota libera (vedere il § 3.4) e sposterla utilizzando la barra di spinta.

2.4.2 Trasporto in aereo

Quando si trasporta la carrozzina in aereo, bloccare e scollegare la batteria prima di consegnarla al personale dell'aeroporto (vedere §3.9 e §3.8). La batteria può rimanere nella carrozzina. Per la corretta procedura di trasporto, consultare la propria compagnia aerea.

2.4.3 Trasporto su veicoli, come bagaglio

Il modo migliore per trasportare la carrozzina elettrica in auto è piegarla e sollevarla in auto.

1. Come utente della carrozzina, trasferirsi su un sedile dell'auto; vedere il § 3.5.
2. Rimuovere tutti i componenti mobili (borse, braccioli,...).
3. Riporre tali componenti in condizioni di sicurezza dietro il sedile del passeggero o nel bagagliaio.
4. Piegarla la carrozzina (vedere §2.5) e sollevarla in auto (se necessario, con l'aiuto di 2 persone) afferrando le parti fisse del telaio.
5. Fissare saldamente al veicolo i componenti più solidi del telaio.
6. Portare la carrozzina nella modalità di guida (applicando i freni di parcheggio) e verificare che la console di comando sia spenta.

2.5 Chiusura/apertura

 **ATTENZIONE** Rischio di lesioni

- Assicurarsi che le dita, i vestiti e le fibbie non rimangano intrappolati durante la (dis)piegatura.

Per aprire la carrozzina motorizzata:

1. Spegnerla la carrozzina.
2. Posizionare la carrozzina in posizione verticale sulle ruote di supporto (1).
3. Tirare il sedile e lo schienale per dispiegare il telaio finché la staffa (2) non scatta in posizione. Assicurarsi che la staffa di bloccaggio sia in posizione di blocco.
4. Posizionare la carrozzina sulle ruote posteriori e anteriori.
5. Ribaltare i braccioli (3) verso il basso fino a farli scattare in posizione.
6. Abbassare il poggiatesta (4).
7. Montare le eventuali opzioni rimosse per il trasporto.
8. A questo punto la carrozzina è pronta per l'uso.

Per chiudere la carrozzina motorizzata:

1. Spegnerla la carrozzina.
2. Rimuovere tutte le opzioni non fisse.
3. Assicurarsi che la carrozzina sia in posizione di ruota libera (vedere §3.4).
4. Premere i pulsanti (5) sui braccioli e ripiegare i braccioli (3) all'indietro.
5. Sbloccare il telaio facendo pressione sul supporto (2).
6. Afferrare lo schienale e il telaio del sedile e spingerli l'uno verso l'altro. Assicurarsi che la carrozzina sia in posizione stabile e verticale sulle ruote di supporto (1).
7. Ripiegare la pedana (4) sulla batteria.
8. Se i braccioli sporgono, regolarli in una posizione più raccolta vicino al telaio.



2.6 Primo utilizzo e rimessaggio



ATTENZIONE

Rischio di danni alla batteria

- Non lasciare mai scaricare completamente le batterie.
- Non interrompere il ciclo di ricarica; scollegare il caricabatterie soltanto quando le batterie sono completamente cariche.
- Avere cura di rimessare la carrozzina in un luogo asciutto, per evitare la formazione di muffa e danni alla selleria.
- Verificare le informazioni tecniche di dettaglio per il rimessaggio; vedere il capitolo 7.

Prima di utilizzare la carrozzina, accertarsi che le batterie siano state caricate completamente, verificando con il rivenditore se tale operazione è già stata effettuata o meno. Per la ricarica, attenersi alle relative istruzioni, riportate nel § 3.7.

3 Uso della carrozzina



AVVERTENZA

Rischio di lesioni

- Leggere anzitutto il capitolo precedente per familiarizzarsi con l'uso previsto. NON utilizzare la carrozzina senza avere letto e compreso a fondo tutte le istruzioni.
- In caso di dubbi o domande, non esitare a rivolgersi al proprio rivenditore specializzato di zona, al proprio fornitore di cure sanitarie o a un consulente tecnico per un aiuto al riguardo.

3.1 Primo utilizzo



ATTENZIONE

Rischio di lesioni e danni

- Tenere sempre conto del raggio di rotazione del poggiapiedi e della console di comando, per evitare di causare lesioni alle persone o danni materiali.
- Prima di mettersi in movimento, scollegare sempre il caricabatterie dalla carrozzina.



- Prima di utilizzare la carrozzina in luoghi affollati e potenzialmente pericolosi, accertarsi di avere una familiarità sufficiente con il suo funzionamento. Esercitarsi inizialmente in un'area ampia, aperta e con pochi passanti.
- Analizzare l'effetto degli spostamenti del baricentro sul comportamento della carrozzina, ad esempio quando si percorrono in salita, in discesa o trasversalmente superfici inclinate, oppure quando si superano eventuali ostacoli. Avvalersi del supporto di un assistente.
- Durante l'uso, la superficie della centralina di controllo diventa tiepida.
- Quando si procede in retromarcia, la velocità viene ridotta.

1. Verificare che:

- la carrozzina si trovi su una superficie piana;
- la batteria sia completamente carica; vedere §. 3.7;
- il motore elettrico sia innestato, vedere il § 3.4;
- la carrozzina sia regolata in funzione delle proprie esigenze e del proprio comfort, vedere il § 3.6;
- la propria posizione di seduta sia corretta, vedere il § 3.5.

2. Attenersi alle istruzioni contenute nel manuale della console di comando.

3. Accendere la carrozzina.

4. Ruotare il comando della velocità portandolo sull'impostazione minima.

5. Familiarizzarsi con la guida e l'esecuzione delle regolazioni della carrozzina.

6. Se ci si sente sufficientemente sicuri, provare a guidare a una velocità maggiore.

7. Provare ora a svoltare procedendo in avanti e in retromarcia. Ripetere alcune volte questa sequenza.

8. Al termine delle manovre, accertarsi che la carrozzina si trovi in posizione stabile.

9. Spegnerla la carrozzina.

3.2 Guida all'aperto



AVVERTENZA

Rischio di incidente: regolare il comportamento di guida e la velocità.

- Tenere conto del codice della strada in vigore localmente, che può differire da un Paese all'altro. Esso disciplina la guida sui marciapiedi e sulle strade asfaltate e non.
- Non condurre la carrozzina su strade con un traffico intenso.
- Tenere conto delle condizioni atmosferiche. Evitare la guida in condizioni di tempo umido, caldo estremo, neve, ghiaccio vetrato e temperature inferiori a zero gradi centigradi; vedere le specifiche tecniche nel capitolo 7.
- Accertarsi di essere ben visibili anche nelle ore diurne, indossando indumenti fluorescenti e/o utilizzando luci proprie sul lato anteriore e posteriore della carrozzina.

- Prestare attenzione agli altri utenti della strada, per i quali la carrozzina può essere un ostacolo. Prestare particolare attenzione durante le svolte e la guida in retromarcia. Se non si ha familiarità con la guida in retromarcia, esercitarsi inizialmente in uno spazio aperto. Prima di svoltare, segnalare con gli appositi indicatori la direzione che si intende prendere.
- Nei passaggi stretti, tentare di procedere in linea retta per evitare di rimanere intrappolati.
- Tenere conto della distanza di frenata. Tenere conto del fatto che lo spazio di frenata dipende dalla velocità, dal fondo stradale, dalle condizioni climatiche, dalla pendenza e dal peso dell'utente.

3.2.1 Come affrontare pendii, cordoli, ostacoli o rampe

**ATTENZIONE**

Rischio di lesioni dovute a movimenti imprevisti

- Quando si è seduti sulla carrozzina, proteggersi allacciando una cintura di sicurezza.
 - Prestare attenzione in presenza di strade con fondo sabbioso o cedevole, oppure con buche o fessure, in cui le ruote possono rimanere imprigionate e/o che possono ridurre la trazione delle ruote motrici.
 - NON guidare su superfici inclinate, ostacoli, gradini o cordoli di dimensioni superiori a quelle indicate nelle caratteristiche tecniche riportate nel capitolo 7.
 - Avvicinarsi sempre ai cordoli dal lato anteriore.
 - Non portare la carrozzina nella modalità a ruota libera mentre si trova su una superficie inclinata. In tal caso è possibile che la carrozzina inizi a muoversi, causando lesioni a sé e ad altri.
 - Non utilizzare la carrozzina su scale mobili o fisse.
 - Utilizzare soltanto rampe approvate da Vermeiren, e non superare il loro carico massimo.
 - Per superare in sicurezza ostacoli o pendenze, mettere la carrozzina nella sua posizione di seduta più eretta.
- i** Quando ci si ferma su una superficie inclinata, il freno si aziona automaticamente per evitare che la carrozzina si muova in avanti o all'indietro.

ATTENZIONE

Rischio di danni

- Parcheggiare sempre la carrozzina su superfici piane orizzontali e in luoghi facilmente accessibili.
- Se necessario, per superare un pendio, un ostacolo, un cordolo o una rampa accelerare la carrozzina prendendo una piccola rincorsa. Evitare tuttavia di sottoporre sé stessi o la carrozzina a un grande rinculo.
- Accertarsi che la carrozzina, una volta inclinata, non tocchi il suolo o la rampa.
- Non dimenticare che lo spazio di frenata in discesa può essere notevolmente superiore a quello in piano.

Procedura

- Iniziare a guidare come indicato al punto 1 del § 3.1.
- Per fare superare alla carrozzina eventuali scale/scalini, utilizzare una rampa o un dispositivo di sollevamento. Se tali attrezzature non sono disponibili, è possibile sollevare manualmente la carrozzina; a tale scopo occorrono almeno due persone, che devono afferrare saldamente il telaio con entrambe le mani. Non afferrare la carrozzina dallo schienale, dal (o dai) poggiatesta, dai braccioli o dalle ruote.
- Per affrontare ostacoli o superfici inclinate:
 1. Regolare la carrozzina portandola nella sua posizione più stabile, vedere il § 3.5.
 2. Guidare alla velocità più bassa possibile per affrontare l'ostacolo o la pendenza.

3.3 Console di comando

i Prima di premere il pulsante di accensione/spegnimento, portare il joystick nella posizione di folle (centrale), poiché in caso contrario l'elettronica viene bloccata. Per rilasciare tale blocco occorre spegnere e riaccendere la console di comando.

1. Pulsante ON/OFF
2. Indicatore dello stato di carica della batteria
3. Indicatore di velocità
4. Pulsante del clacson
5. Pulsante di riduzione della velocità
6. Pulsante di aumento della velocità
7. Joystick



3.3.1 Protezioni tecniche

Per garantire la sicurezza dell'utente ed evitare di danneggiare la carrozzina, i movimenti sono monitorati dall'elettronica. Ciò può comportare una riduzione della velocità o un arresto completo.


- Per evitare l'esaurimento accidentale delle batterie, la carrozzina è dotata di un sistema di spegnimento automatico. Questo sistema disattiva automaticamente la console di comando quando non la si utilizza per un certo tempo. Se ciò si verifica, è sufficiente riaccendere la console.
- Accertarsi che la leva di ruota libera si trovi nella posizione frenata PRIMA di accendere la carrozzina. I freni elettromagnetici NON funzionano se la carrozzina si trova nella modalità a ruota libera. Tale condizione è indicata sulla console di comando. La guida non è possibile.

3.3.2 Guida

1. Premere il pulsante ON/OFF (1) per accendere la carrozzina.
2. Se le spie dell'indicatore di carica della batteria (2) e dell'indicatore di velocità (3) si accendono, la carrozzina è alimentata e pronta a partire.
3. Verificare l'indicatore dello stato delle batterie. Se necessario, caricare la batteria (vedere §3.7).
4. Regolare la velocità di guida: diminuire la velocità con il pulsante di riduzione della velocità (5) o aumentare la velocità con il pulsante di aumento della velocità (6).
5. Iniziare a muovere la carrozzina muovendo lentamente il joystick (7) in avanti/indietro.
6. La velocità aumenta quando si allontana maggiormente il joystick dalla posizione centrale.
7. Per curvare verso destra o verso sinistra, spingere il joystick verso destra o verso sinistra.
8. Per frenare, portare il joystick nella posizione di folle.
9. Premere il pulsante del clacson (4) per avvisare gli altri utenti della strada, se necessario.
10. Una volta giunti a destinazione, verificare lo stato della batteria e premere il pulsante ON/OFF per spegnere la carrozzina.
11. Caricare la batteria secondo necessità.

3.4 Freno e leva di ruota libera

 **ATTENZIONE** Rischio di lesioni o danni

- Azionare la leva di ruota libera soltanto quando la carrozzina è spenta. La leva di ruota libera deve essere azionata da un assistente. **NON** azionare **MAI** la leva dalla posizione seduta.
 - Non utilizzare la modalità a ruota libera su pendii e superfici inclinate; vedere il simbolo  presente sul motore.
- i** Accertarsi che la leva di ruota libera si trovi nella posizione frenata **PRIMA** di accendere la carrozzina. I freni elettromagnetici **NON** funzionano se la carrozzina si trova nella modalità a ruota libera. Tale condizione è indicata sulla console di comando. La guida non è possibile.

La carrozzina è dotata di freni elettromagnetici. Il funzionamento dei freni dipende dalla posizione della leva di ruota libera (1).

I freni EM funzionano in modo automatico **solo se** la leva di ruota libera (1) si trova nella posizione di frenata. In tal caso i freni iniziano a frenare se:

- la carrozzina è spenta;
- la carrozzina è accesa e il joystick viene rilasciato.

Il rilascio del joystick causa l'arresto progressivo della carrozzina e l'attivazione dei freni.

Azionamento della leva di ruota libera:



- Per portare la carrozzina nella modalità a ruota libera, ruotare le leve verso l'ALTO. A questo punto il motore elettrico è scollegato. È possibile spostare manualmente la carrozzina.



- Ruotare le leve verso il BASSO per collegare il motore elettrico alla trasmissione. Questa operazione deve essere effettuata prima di avviare la carrozzina.



3.5 Trasferimento alla/dalla carrozzina

 **ATTENZIONE** Rischio di lesioni o danni

- Se non si è in grado di effettuare il trasferimento in condizioni di sicurezza, richiedere l'assistenza di un'altra persona.
- Non rimanere in piedi sulla/e pedana/e durante il trasferimento alla o dalla carrozzina.

Trasferimento

1. Quando si è seduti su una poltrona, un divano, un sedile o un letto, avvicinare il più possibile a sé la carrozzina.
2. Inserire i freni ruotando la leva di ruota libera fino alla posizione di frenata; vedere il § 3.4.
3. Ripiegare la/le pedana/e verso l'alto, per evitare di salirvi.
4. Se necessario, piegare un bracciolo per liberare spazio; vedere il §2.5.
5. Trasferirsi sulla/dalla carrozzina utilizzando la forza delle proprie braccia o con l'ausilio di uno (o più) assistenti o di un dispositivo di sollevamento.

Posizione di seduta sulla carrozzina

1. Sedersi sul sedile con la parte inferiore della schiena contro lo schienale.
2. Ruotare il (o i) poggiatesta verso il basso e appoggiarvi i piedi.
3. Abbassare il bracciolo, se necessario.

Regolazione sulla posizione più stabile

Per il trasporto, e quando occorre affrontare eventuali ostacoli, occorre regolare la carrozzina in modo da aumentarne al massimo la stabilità:

- Schienale verticale
- Pedana ripiegata verso l'alto

3.6 Regolazioni per il comfort



ATTENZIONE

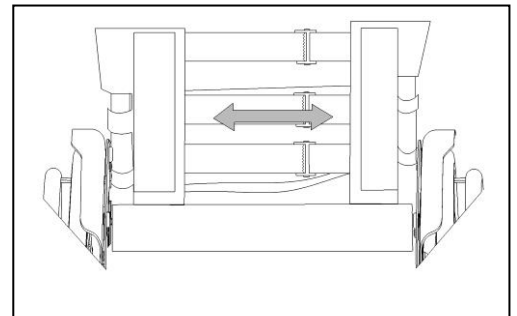
Rischio di lesioni o danni

- Le regolazioni per il comfort indicate di seguito possono essere eseguite da assistenti o badanti. Tutte le altre regolazioni vengono eseguite dal rivenditore specializzato in base alle istruzioni di installazione; vedere la premessa.
- Prestare attenzione per evitare che dita, indumenti, e fibbie rimangano intrappolati durante le regolazioni.

3.6.1 Supporto dello schienale

Lo schienale della carrozzina è dotato di un sistema di sospensione con fasce in Velcro regolabili, che consentono di modificare la flessibilità dello schienale stesso.

1. Tirare il cuscino dello schienale separandolo dalle fasce in velcro dello schienale stesso.
2. Allentare le fasce in velcro.
3. Tirare la rispettiva fascia fino alla posizione desiderata. È possibile variare la tensione delle singole cinghie e impostare il supporto per la schiena desiderato.
4. Collocare nuovamente sullo schienale il cuscino per la schiena, partendo dal lato anteriore e raggiungendo quello posteriore.
5. Bloccare i collegamenti in velcro premendo con la mano il cuscino contro lo schienale.
6. Accertarsi che tutte le fasce siano fissate con il velcro.



3.7 Stato e ricarica delle batterie



AVVERTENZA

Rischio di lesioni e di danni da incendio

- Utilizzare esclusivamente il caricabatterie fornito con la carrozzina. L'uso di qualunque altro caricabatterie può essere pericoloso (pericolo di incendio).
- Il caricabatterie è studiato unicamente per caricare le batterie fornite con la carrozzina, e nessun'altra.
- Non effettuare alcun adattamento dei componenti forniti, come cavi, spinotti o caricabatterie. Non aprire mai la batteria e non modificarne i punti di collegamento.
- Proteggere batteria e caricabatterie da fiamme, temperature basse ed elevate (vedere il capitolo 7), umidità, luce solare diretta e urti violenti (ad esempio cadute). NON utilizzare la batteria se è stata esposta a tali condizioni.
- Caricare le batterie con il caricabatterie; eseguire l'operazione al coperto, in un'area ben ventilata e fuori dalla portata dei bambini.

ATTENZIONE

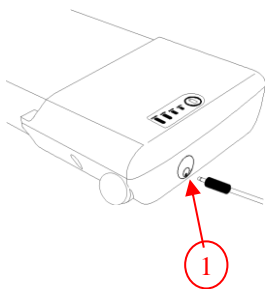
Rischio di danni

- La batteria viene scaricata lentamente dalla sua stessa autoscarica e dalla corrente di riposo delle utenze collegate. Se la si scarica completamente, la batteria può danneggiarsi irreparabilmente. Accertarsi pertanto che la batteria venga ricaricata per tempo (vedere 3.7).
- Leggere le istruzioni per il rimessaggio e la manutenzione riportate nel capitolo 4 e le informazioni tecniche di dettaglio contenute nel capitolo 7.
- Non caricare le batterie a temperature inferiori a 0 °C. Avviare la ricarica soltanto dopo averle trasferite in un ambiente più caldo.
- Mantenere il punto di collegamento del caricabatterie libero da polvere e altri contaminanti.
- In caso di problemi che impediscano di caricare la batteria secondo le istruzioni riportate di seguito, rivolgersi al proprio rivenditore specializzato.

- i** Per tutte le informazioni sull'indicazione dello stato della batteria, leggere il §3.7.
- i** Quando non lo si utilizza, si consiglia di scollegare il caricabatterie dalla rete elettrica. Tale accorgimento evita consumi energetici superflui.

Controllare sempre che la batteria non sia danneggiata prima di caricarla. Per accendere la batteria, tenere premuto per 2 secondi il pulsante dell'indicatore di carica. Se non si accende alcun LED dell'indicatore di carica, la batteria potrebbe essere danneggiata. Quando almeno uno, ma non tutti i LED dell'indicatore di carica sono accesi, caricare completamente il pacco batteria prima di utilizzarlo per la prima volta.

Non caricare o utilizzare una batteria danneggiata; rivolgersi al proprio rivenditore specializzato.



Per garantire la piena capacità della batteria, caricarla completamente con il caricatore prima di utilizzarla per la prima volta. La batteria può essere ricaricata in qualsiasi momento sulla carrozzina o quando viene rimossa dalla carrozzina.

Istruzioni per la ricarica della batteria:

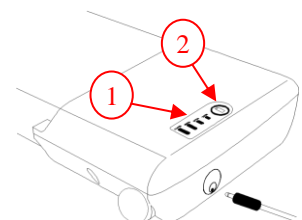
1. Spegnerne la batteria.
 2. Se lo si desidera, rimuovere la batteria dall'alloggiamento ed evitare che sporco o liquidi penetrino nella presa di ricarica.
 3. Collegare la spina del caricabatterie al pacco batteria ①.
 4. Collegare la spina del caricabatterie alla presa di corrente.
5. L'indicatore LED sul caricabatterie mostra lo stato del processo di carica:
- Rosso - In carica
 - Verde - Standby / Completamente carica
6. Una volta che la batteria è completamente carica, rimuovere il caricabatterie dalla presa di corrente e la batteria.

3.7.1 Indicatore dello stato di carica della batteria

Sono presenti due indicatori di carica della batteria:

Sul pacco batterie:

1. Premere il pulsante ② sul pacco batterie.
2. I LED dell'indicatore di carica della batteria ① indicheranno il livello di carica della batteria.





Console di comando:

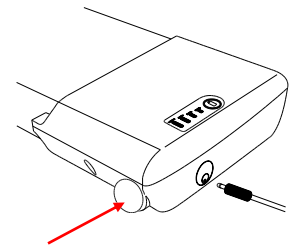
Quando il sistema elettrico è acceso, l'indicatore della batteria (2, §3.3) indica il livello di carica della batteria.

- Tutti i LED accesi: batteria completamente carica.
- Solo il LED rosso è acceso o lampeggia: ricaricare immediatamente la batteria.

A causa del cablaggio, entrambe le indicazioni possono variare leggermente. In tal caso, considerare l'indicazione del livello di carica peggiore.

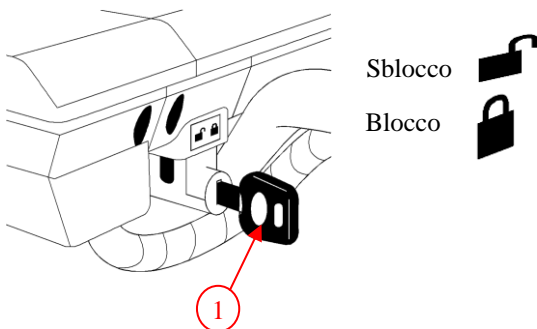
3.8 Accensione e spegnimento del dispositivo elettrico

Premere l'interruttore di accensione/spegnimento sul lato della batteria.



3.9 Montaggio / rimozione della batteria

La batteria può essere rimossa per facilitarne la ricarica lontano dalla carrozzina.



Per montare la batteria:

1. Inserire la chiave ① e ruotarla verso il simbolo di sblocco.
2. Inserire la batteria nell'alloggiamento il più a fondo possibile. C'è solo un modo possibile per inserire la batteria.
3. Girare la chiave ① verso il simbolo di blocco.
4. Accertarsi che la batteria sia ben fissata.
5. Estrarre la chiave ①. (Non rimuovere mai la chiave durante la guida).

Per rimuovere la batteria:

1. Inserire la chiave ①.
2. Girare la chiave ① verso il simbolo di sblocco.
3. Estrarre delicatamente la batteria dall'alloggiamento.

4 Installazione e regolazione

Le istruzioni contenute in questo capitolo sono destinate al rivenditore specializzato.

Per trovare un centro di assistenza o un rivenditore autorizzato nella propria zona, rivolgersi alla più vicina sede Vermeiren.



 **AVVERTENZA** Rischio di lesioni e danni

- Utilizzare soltanto le impostazioni descritte in questo manuale.

4.1 Attrezzi

Per l'allestimento della carrozzina sono necessari gli attrezzi indicati di seguito.

- Chiave a brugola n° 4
- Chiave inglese n° 10

4.2 Modalità di consegna

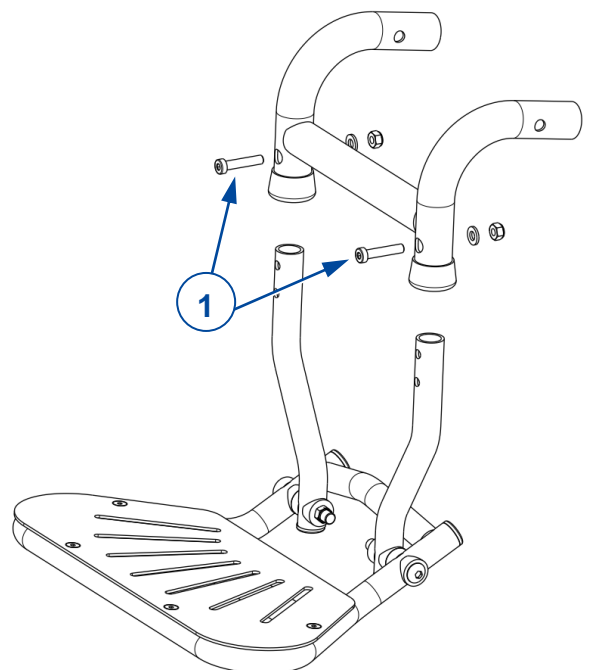
La consegna della carrozzina Vermeiren Plego include:

- 1 telaio con braccioli, ruote posteriori e anteriori, poggiapiedi
- Attrezzi
- Manuale
- Accessori (opzionali)

4.3 Regolazione del poggiapiedi

La lunghezza del poggiapiedi può essere regolata in 2 posizioni (intervallo di 20 mm):

1. Rimuovere le viti e i dadi (1).
2. Regolare il poggiapiedi alla lunghezza desiderata.
3. Serrare nuovamente le viti e i dadi.



5 Manutenzione

IT

5.1 Intervalli di manutenzione

 **ATTENZIONE** Rischio di lesioni e danni

Riparazioni e sostituzioni devono essere eseguite esclusivamente da personale con un'opportuna formazione e utilizzando unicamente ricambi originali Vermeiren.

i L'ultima pagina di questo manuale contiene un modulo di registrazione che consente ai rivenditori specializzati di registrare ogni intervento di assistenza.

La frequenza dell'assistenza dipende dalla frequenza e dall'intensità dell'uso. Concordare con il proprio rivenditore un calendario comune per le attività di ispezione / manutenzione / riparazione. Per quanto concerne la manutenzione, leggere le istruzioni per l'uso del caricabatterie utilizzato. Per il manuale di manutenzione, fare riferimento al sito Web di Vermeiren all'indirizzo www.vermeiren.com.

Prima di ciascun utilizzo

Verificare i seguenti punti:

- Tutti i componenti: presenza, integrità e assenza di usura.
- Tutti i componenti: pulizia, vedere il § 5.2.2.
- Ruote, sedile, braccioli, poggiatesta (se presenti): fissaggio corretto.
- Stato delle batterie: ricarica secondo necessità, vedere il § 3.7.
- Console di comando, batteria, modulo di alimentazione, motori elettrici, caricabatterie, luci e relativi cavi: assenza di danni quali fili sfilacciati, spezzati o esposti.
- Condizioni delle ruote / degli pneumatici: vedere il § 5.2.1.
- Condizioni dei componenti del telaio: assenza di deformazioni, instabilità, punti deboli o raccordi allentati.
- Sedile, schienale, poggiatesta (se presente) e imbottiture di braccioli e poggiatesta: assenza di usura eccessiva (come ammaccature, danni o lacerazioni).

Rivolgersi al proprio rivenditore specializzato per le riparazioni o i ricambi eventualmente necessari.

Ogni mese

In caso di rimessaggio prolungato della carrozzina, occorre comunque caricare ogni mese le batterie. Durante tali periodi, è inoltre possibile lasciare il caricabatterie collegato alla batteria e alla rete elettrica. Per maggiori informazioni, vedere il § 3.7.

Annualmente o con maggiore frequenza

Almeno una volta all'anno, o con maggiore frequenza, richiedere al proprio rivenditore specializzato un intervento di ispezione e manutenzione della carrozzina. La frequenza minima di manutenzione dipende dall'uso, e deve pertanto essere concordata con il proprio rivenditore specializzato.

In caso di rimessaggio

Avere cura di immagazzinare la carrozzina in un ambiente asciutto, per evitare la formazione di muffa o danni alla selleria.

5.2 Istruzioni per la manutenzione

5.2.1 Ruote e pneumatici

i Il funzionamento corretto dei freni dipende dallo stato degli pneumatici, che può variare a seconda dell'usura e dell'eventuale contaminazione (acqua, olio, fango e così via).

- Tenere pulite le ruote da fili, capelli, sabbia e fibre.
- Verificare il profilo degli pneumatici. Se la profondità del battistrada è inferiore a 1 mm, occorre sostituire gli pneumatici. A tale scopo, rivolgersi al proprio rivenditore specializzato.

5.2.2 Pulizia

ATTENZIONE

Rischio di danni da umidità

- Tenere pulita la console di comando e proteggerla dall'acqua e dalla pioggia.
- Non pulire la carrozzina con manichette o pulitrici ad alta pressione.

Strofinare tutti i componenti rigidi della carrozzina con un panno umido (non zuppo). Se necessario, utilizzare un detergente delicato, adatto per smalti e materiali sintetici.

È possibile pulire la selleria con acqua tiepida e un detergente delicato. Non utilizzare detergenti abrasivi per la pulizia.

Tenere pulite e libere da accumuli di polvere le aperture di ventilazione del caricabatterie. Rimuovere la polvere soffiandola via e, se necessario, pulire l'involucro del caricabatterie con un panno leggermente inumidito.

5.2.3 Disinfezione

ATTENZIONE

Rischio di danni

La disinfezione deve essere eseguita esclusivamente da personale con un'opportuna formazione. Consultare il proprio rivenditore specializzato.

5.3 Soluzione dei problemi di funzionamento

Anche se si utilizza la carrozzina nel modo corretto, non è possibile escludere la possibilità che si verifichi un problema tecnico.

In tal caso, rivolgersi al rivenditore specializzato della propria zona.



AVVERTENZA

Rischio di lesioni e di danni alla carrozzina

- NON tentare MAI di riparare personalmente la carrozzina.
- Per i guasti alla console di comando è necessario rivolgersi al proprio rivenditore specializzato, che stabilirà se la console ha bisogno di essere riprogrammata.

In caso di guasto, sulla console di comando viene visualizzato un codice di guasto, vedere §6.

I sintomi indicati di seguito possono segnalare un problema grave. Rivolgersi pertanto sempre al proprio rivenditore specializzato se si rileva una qualunque delle seguenti anomalie:

- Rumori strani;
- Cablaggi elettrici sfilacciati/danneggiati;
- Connettori incrinati o spezzati;
- Usura irregolare del battistrada di uno pneumatico;
- Movimenti a scatti;
- Tendenza della carrozzina a deviare lateralmente;
- Gruppi ruota danneggiati o spezzati;
- Mancata accensione della carrozzina (fusibile bruciato);
- Carrozzina accesa ma che non reagisce ai comandi di movimento, vedere il § 3.4.

5.4 Durata prevista

La carrozzina ha una durata media prevista di 5 anni. Tale valore aumenta o diminuisce a seconda della frequenza di utilizzo, delle condizioni di guida e della manutenzione.

5.5 Utilizzi successivi

Prima di essere riutilizzata da un'altra persona, la carrozzina deve essere disinfettata, sottoposta a ispezione e manutenzione secondo le istruzioni riportate nei paragrafi §5.1 e §5.2.

5.6 Fine vita

A fine vita, occorre smaltire la carrozzina conformemente alla legislazione ambientale locale. Il modo migliore per farlo consiste nello smontare la carrozzina per agevolare il trasporto dei componenti riciclabili.

IT

6 Soluzione dei problemi di funzionamento


AVVERTENZA

Rischio di lesioni e di danni alla console di comando o alla carrozzina

- NON tentare MAI di riparare personalmente la console di comando.
- Per guasti alla console di comando, contattare il proprio rivenditore specializzato, che stabilirà se la console ha bisogno di essere riprogrammata.

IT

In caso di potenziale problema, verrà visualizzato un codice di sistema dai LED lampeggianti dell'indicatore di stato della batteria, vedere §3.3 (2). La tabella riportata di seguito riassume i possibili codici di sistema. Alcuni problemi possono essere risolti dall'utente. Per tutti i problemi contrassegnati in grigio, rivolgersi al proprio rivenditore specializzato.

Tabella 2: Soluzione dei problemi di funzionamento

Codice	Problema	Significato
1	Batteria scarica / collegamento non corretto alla batteria	Controllare i collegamenti alle batterie. Se i collegamenti sono buoni, provare a caricare le batterie.
2	Collegamento errato del motore sinistro o dell'encoder	Controllare i collegamenti al motore sinistro e all'encoder.
3	Cablaggio difettoso sul motore sinistro / condizione di stallo	
4	Collegamento errato del motore destro o dell'encoder	Controllare i collegamenti al motore destro e all'encoder.
5	Cablaggio difettoso sul motore destro / condizione di stallo	
7	Guasto al joystick	Prima di accendere il joystick, accertarsi che questo si trovi in posizione centrale.
7 + S ¹	Errore di comunicazione	Assicurarsi che il cavo del modulo joystick sia collegato saldamente e non sia danneggiato.
8	Possibile guasto del controller	Assicurarsi che tutti i collegamenti siano saldi.
9	Collegamento errato del freno di stazionamento	Controllare i collegamenti del freno di stazionamento e del motore. Assicurarsi che i collegamenti del controller siano saldi.
10	Tensione eccessiva	Una tensione eccessiva è solitamente causata da un cattivo collegamento della batteria. Controllare i collegamenti della batteria.

¹S = LED lampeggiante dell'indicatore di velocità.

7 Specifiche tecniche

I dettagli tecnici riportati di seguito sono validi soltanto per la carrozzina oggetto del manuale, con le impostazioni standard e in condizioni ambiente ottimali. Durante l'uso, tenere conto di questi dati di dettaglio. I valori indicati non sono più validi se la carrozzina ha subito modifiche o danni, oppure presenta un livello elevato di usura. Tenere presente che le prestazioni di guida risentono della temperatura ambiente, dell'umidità, delle pendenze (salite e discese), del tipo di superficie e dello stato della batteria.

Tabella 1: Specifiche tecniche

Marchio	Vermeiren
Tipo	Carrozzina elettrica, Classe A
Modello	Plego
Massa massima dell'utente	130 kg

Descrizione	Dimensioni
Lunghezza complessiva con appoggio per le gambe	1000 mm
Larghezza complessiva	595 mm
Altezza complessiva	980 mm
Lunghezza ripiegata	450 mm
Larghezza ripiegata	595 mm
Altezza ripiegata	980 mm
Massa totale	24,5 kg
Consumo energetico*	12,8 Ah: 15 km 17,5 Ah: 21 km
Pendenza nominale	10°
Superamento di ostacoli	15 mm
Velocità massima in avanti	6 km/h
Distanza di frenata max. partendo dalla velocità max.	1 m
Angolo del piano di seduta	5°
Profondità effettiva del sedile	430 mm
Larghezza effettiva del sedile	450 mm
Altezza del bordo anteriore della superficie del sedile	530 mm
Angolazione dello schienale	5°
Altezza dello schienale	460 mm
Distanza fra poggiatesta e sedile	440 – 460 mm
Angolo fra le gambe e la superficie del sedile	81°
Distanza fra bracciolo e sedile	195 mm
Posizione anteriore della struttura del bracciolo	404 mm
Raggio di volta minimo	1145 mm
Luce libera da terra	65 mm
Diametro delle ruote posteriori	12"
Tipo delle ruote posteriori**	Pneumatici in PU

Marchio	Vermeiren
Tipo	Carrozzina elettrica, Classe A
Modello	Plego
Massa massima dell'utente	130 kg

Diametro delle ruote anteriori	200x50
Tipo delle ruote anteriori**	Pneumatici in PU
Descrizione elettrica	
Batteria	12,8 Ah 17,5 Ah
Motori elettrici di trazione	2 x 250 W
Fusibile	20 A
Prove di resistenza a norma	ISO 7176-8
Prove del sistema di alimentazione e controllo a norma	ISO 7176-14
Infiammabilità della selleria a norma	EN1021-2:2006
Conformità EMC	ISO 7176-21
Grado di protezione	IPX4
Livello di rumore	< 65 dB (A)
Temperatura di rimessaggio e di utilizzo	+5 °C - +41 °C
Temperatura ambiente per l'elettronica	-10 °C - +40 °C
Umidità di magazzinaggio e di utilizzo	30% - 70%

Vermeiren si riserva il diritto di introdurre modifiche tecniche. Tolleranze di misurazione ± 15 mm / 1,5 kg / 1,5° .

*** L'autonomia teorica si riduce se la carrozzina viene utilizzata spesso su superfici inclinate o terreni sconnessi, oppure per superare cordoli.**

**** Poiché è possibile utilizzare pneumatici differenti, prendere nota della pressione di esercizio corretta per quelli in uso. Per altri valori del diametro degli pneumatici, rivolgersi al proprio rivenditore specializzato.**

Contenido

Contenido	1
Introducción	2
1 Su producto	3
1.1 Opciones.....	3
2 Antes del uso	4
2.1 Uso previsto.....	4
2.2 Instrucciones generales de seguridad.....	4
2.3 Símbolos presentes en la silla de ruedas.....	5
2.4 Transporte.....	5
2.5 Pliegue/Despliegue.....	6
2.6 Primer uso y almacenamiento.....	7
3 Utilizar la silla de ruedas	8
3.1 Primera conducción.....	8
3.2 Conducción en el exterior.....	8
3.3 Panel de control.....	10
3.4 Freno y palanca de rueda libre.....	11
3.5 Traslado hacia/desde la silla de ruedas.....	11
3.6 Ajustes de comodidad.....	12
3.7 Estado de la batería y recarga.....	12
3.8 Encender/apagar el equipo eléctrico.....	14
3.9 Montar/retirar la batería.....	14
4 Instalación y ajuste	15
4.1 Herramientas.....	15
4.2 Entrega.....	15
4.3 Ajuste del reposapiés.....	15
5 Mantenimiento	16
5.1 Tiempo de mantenimiento.....	16
5.2 Instrucciones de mantenimiento.....	17
5.3 Resolución de problemas.....	17
5.4 Vida útil prevista.....	18
5.5 Reutilización.....	18
5.6 Fin de la vida útil.....	18
6 Resolución de problemas	19
7 Especificaciones técnicas	20

Introducción

¡Felicidades! Es usted el propietario de una silla de ruedas Vermeiren.

ES Esta silla de ruedas ha sido fabricada por personal experto y cualificado. Se diseña y produce conforme a los elevados niveles de calidad de Vermeiren.

Le agradecemos su confianza en los productos Vermeiren. Le ofrecemos este manual para ayudarle en la utilización de su silla de ruedas y sus opciones de manejo. Léalo detenidamente. Le ayudará a familiarizarse con el manejo, las capacidades y limitaciones de su silla de ruedas.

Si todavía tiene alguna duda después de leer este manual, contacte con su distribuidor especializado, estará encantado de ayudarle.

Nota importante

Para garantizar su seguridad y prolongar la vida útil de su producto, cuídalo bien y realice una revisión y un mantenimiento regulares.

Este manual refleja los últimos avances del producto. Vermeiren se reserva el derecho a aplicar cambios en este tipo de producto sin que ello suponga obligación alguna de adaptar o cambiar productos similares previamente entregados.

Las imágenes están presentes para clarificar las instrucciones contenidas en este manual. Los detalles del producto mostrado pueden variar con su producto.

Información disponible

En nuestra web <http://www.vermeiren.com/> podrá encontrar siempre la versión más reciente de la siguiente información. Consulte este sitio web de manera regular para estar al tanto de posibles actualizaciones.

Las personas con discapacidad visual pueden descargarse la versión electrónica del manual y utilizar un software de síntesis de voz para poder oír su contenido.



Este manual de usuario
Para el usuario y el distribuidor especializado



Manual de mantenimiento para sillas de ruedas
Para el distribuidor especializado



Declaración CE de conformidad

1 Su producto



- | | |
|---------------------|--|
| 1. Respaldo | 7. Ruedas delanteras |
| 2. Panel de control | 8. Ruedas traseras/ruedas motrices con motores |
| 3. Reposabrazos | 9. Batería |
| 4. Asiento | 10. Placa de identificación |
| 5. Reposapiés | |
| 6. Placa reposapiés | |

1.1 Opciones

Póngase en contacto con su distribuidor especializado para consultar las opciones. Estará encantado de asesorarle.

2 Antes del uso

2.1 Uso previsto

ES

Este apartado describe brevemente el uso previsto de la silla de ruedas. También se incluyen avisos correspondientes en las instrucciones de otros apartados. De este modo, queremos informarle del posible uso indebido que puede producirse.

- Esta silla de ruedas es apta para su uso en interiores y exteriores.
- Esta silla de ruedas está diseñada y fabricada exclusivamente para transportar a una (1) persona con un peso máximo de 130 kg. No está diseñada para transportar mercancías u objetos, o para otros usos que no sean los descritos anteriormente.
- La silla de ruedas la puede operar el usuario sentado en la silla de ruedas, o puede empujarla un auxiliar. NO utilice la silla de ruedas sin un auxiliar si sufre de discapacidades físicas o mentales que puedan ponerle en riesgo a usted o a otras personas al conducir la silla de ruedas. Por tanto, consulte primero con su médico y asegúrese de que su distribuidor especializado esté al tanto de los consejos de su médico.
- Utilice únicamente accesorios y piezas de recambio aprobadas por Vermeiren.
- Consulte todos los datos técnicos y las limitaciones de la silla de ruedas en el capítulo 7.
- La garantía de este producto se basa en el uso y mantenimiento normales descritos en este manual. La garantía se invalida si el producto sufre cualquier daño causado por un uso indebido o falta de mantenimiento.

2.2 Instrucciones generales de seguridad

**PRECAUCIÓN**

Riesgo de lesiones y daños

Lea y siga las instrucciones contenidas en este manual. De no seguirlas, puede acabar lesionándose a sí mismo, o acabar rompiendo la silla de ruedas.

Tenga en cuenta las siguientes advertencias durante su utilización:

- No utilizar la silla de ruedas si se ha consumido alcohol, medicamentos u otras sustancias que afecten la capacidad de conducir.
- Tener en cuenta que ciertas partes de la silla de ruedas pueden llegar a calentarse o enfriarse demasiado a causa de la temperatura ambiente, la luz del sol, equipos de calefacción, o debido al accionamiento del motor durante la conducción. Tener siempre cuidado al tocar la silla de ruedas. Llevar ropa protectora cuando haga frío. Después de conducir, esperar a que la silla de ruedas/motor se haya enfriado.
- Antes de poner en marcha la silla de ruedas, tener en cuenta el entorno/situación en que se encuentra. Ajustar la velocidad antes de comenzar a conducir. Se recomienda ir a la velocidad mínima al conducir en interiores. Para conducir en exteriores, se puede ajustar la velocidad hasta aquella en la que se sienta seguro y cómodo el usuario.
- Tener SIEMPRE en cuenta que la silla de ruedas puede pararse de repente si se agota la batería o se activa alguna medida de protección que evita que se dañe la silla de ruedas. Comprobar también las posibles causas mencionadas en el § 5.3. Utilizar el cinturón de seguridad disponible para evitar lesiones.
- Se han realizado pruebas sobre la compatibilidad electromagnética de la silla de ruedas, y cumple con los estándares, véase el capítulo 7. Aun así, es posible que un campo electromagnético influya en la conducción de la silla de ruedas, como los campos de teléfonos móviles, generadores eléctricos o fuentes de alimentación de alta potencia. Por otro lado, los componentes electrónicos de la silla de ruedas también pueden afectar a otros aparatos eléctricos, como los sistemas de alarma de las tiendas y puertas automáticas. Por tanto, se recomienda comprobar regularmente que la silla de ruedas no presente daños o desgastes, ya que podrían agravar la interferencia (véase también el capítulo 4).

- Conducir solamente en superficies planas en las que ambas ruedas motrices toquen el suelo y haya suficiente contacto para manejar la silla de ruedas de manera segura.
- No realizar alteraciones o sustituciones en los puntos de sujeción o en las piezas o componentes del bastidor o la estructura sin consultar previamente con el fabricante de la silla de ruedas.
- Asegurarse de que manos, ropa, cinturones, hebillas o joyas no queden atrapados por las ruedas u otras piezas móviles durante su uso.

Tenga en cuenta que su silla de ruedas puede interferir con algunos tipos de sistemas antirrobo, dependiendo de los ajustes utilizados. Esto puede hacer que salte la alarma de las tiendas.

Cualquier incidente grave [MDR (EU) 2017/745 §2 (65)] que se haya producido en relación con el producto debe notificarse al fabricante y a la autoridad competente del Estado miembro en el que esté establecido el usuario y/o paciente.

2.3 Símbolos presentes en la silla de ruedas

Los símbolos de la siguiente lista son aplicables a la silla de ruedas. Los símbolos se encuentran también en la norma ISO correspondiente (ISO 7000, ISO 7001 e IEC 417).



Peso máximo del usuario en kg



Uso exclusivo en interior (cargador de la batería)



Pendiente máxima segura en ° (grados).



Velocidad máxima



Tipo de modelo



Riesgo de aprisionamiento

2.4 Transporte

PRECAUCIÓN

Riesgo de daños

Asegurarse de proteger la silla de ruedas contra daños durante su transporte.

2.4.1 Retirar del camino

Utilizar el panel de control para conducir la silla de ruedas a su destino.

Si no, poner la silla de ruedas en modo rueda libre (véase §3.4) y utilizar la barra de empuje para moverla.

2.4.2 Transporte aéreo

Al transportar la silla de ruedas en un avión, bloquear y desconectar la batería antes de entregar la silla de ruedas al personal del aeropuerto (véase §3.9 y §3.8). La batería puede permanecer en la silla de ruedas. Consultar con la aerolínea el procedimiento de manipulación correcto.

2.4.3 Transporte mediante vehículo como equipaje

La mejor manera de transportar su silla de ruedas eléctrica en el vehículo es plegándola y subiéndola al vehículo.

1. En cuanto al usuario, debe trasladarse a un asiento del vehículo, véase §3.5.
2. Retirar todas las piezas móviles antes del transporte (bolsas, reposacabezas, etc.).
3. Almacenar de forma segura las piezas móviles detrás del asiento del pasajero o en el maletero.
4. Plegar la silla de ruedas (véase §2.5) y subirla al vehículo (si es necesario, con la ayuda de dos personas) sujetándola por las piezas fijas del bastidor.
5. Atar firmemente las piezas sólidas del bastidor al vehículo.
6. Poner la silla de ruedas en modo de conducción (accionando los frenos de estacionamiento) y comprobar que el panel de control esté apagado.

2.5 Pliegue/Despliegue

 PRECAUCIÓN Riesgo de lesiones

- Asegurarse de que no queden atrapados dedos, ropa o hebillas durante el pliegue/despliegue.

Para desplegar la silla de ruedas eléctrica:

1. Apagar la silla de ruedas.
2. Colocar la silla de ruedas en vertical sobre las ruedas de apoyo (1).
3. Separar el asiento y el respaldo para desplegar el bastidor hasta que el soporte (2) encaje en su sitio. Asegurarse de que el soporte de bloqueo está en posición bloqueada.
4. Apoyar la silla de ruedas sobre las ruedas traseras y delanteras.
5. Desplegar los reposabrazos (3) hacia abajo hasta que encajen en su sitio.
6. Desplegar el reposapiés (4) hacia abajo.
7. Montar cualquier accesorio opcional que se haya retirado para el transporte.
8. La silla de ruedas ya está lista para el uso.

Para plegar la silla de ruedas eléctrica:

1. Apagar la silla de ruedas.
2. Retirar cualquier accesorio opcional suelto.
3. Asegurarse de que la silla de ruedas se encuentre en posición de rueda libre (véase §3.4).
4. Pulsar los botones (5) en los reposabrazos y plegar los reposabrazos (3) hacia atrás.
5. Desbloquear el bastidor presionando el soporte (2).
6. Agarrar el respaldo y el bastidor del asiento y empujar el uno contra el otro. Asegurarse de que la silla de ruedas esté estable en posición vertical sobre las ruedas de apoyo (1).
7. Plegar el reposapiés (4) sobre la batería.
8. En caso de los reposabrazos sobresalgan, ajustarlos a una posición más compacta cerca del bastidor.



2.6 Primer uso y almacenamiento

 PRECAUCIÓN Riesgo de dañar la batería

- No descargar nunca completamente la batería.
- No interrumpir el ciclo de carga; solo desconectar el cargador de batería cuando la batería esté completamente cargada.
- Asegurarse de que la silla de ruedas se almacena en un ambiente seco para evitar la formación de moho o que se dañe la tapicería.
- Comprobar los datos técnicos de almacenamiento, véase el capítulo 7.

Asegurarse de que la batería se ha cargado completamente antes de utilizar la silla de ruedas; preguntar al distribuidor si ya se ha realizado esa tarea. Para recargar, seguir las instrucciones de carga en §3.7.

3 Utilizar la silla de ruedas



AVISO

Riesgo de lesiones

- Leer antes los capítulos anteriores e informarse sobre el uso previsto. NO utilizar la silla de ruedas si no se han leído detenidamente y entendido completamente todas las instrucciones.
- En caso de tener dudas o preguntas, contactar con su distribuidor especializado local, proveedor de cuidados o asesor técnico para recibir asesoramiento.

3.1 Primera conducción



PRECAUCIÓN

Riesgo de lesiones y daños

- Tener siempre en cuenta el alcance de giro del reposapiés y del panel de control para evitar lesionar a otras personas o dañar objetos.
- Siempre desconectar el cargador de batería de la silla de ruedas antes de comenzar a conducirla.

- i** • Asegurarse de estar familiarizado con el manejo de la silla de ruedas antes de utilizarla en lugares concurridos y posiblemente peligrosos. Probar la silla de ruedas primero en un área abierta y amplia con pocos transeúntes.
- Investigar los efectos del desplazamiento del centro de gravedad en el comportamiento de la silla de ruedas, por ejemplo, en gradientes hacia arriba o abajo, suelos con pendientes laterales, o al salvar obstáculos. Pedir ayuda a un auxiliar.
- La superficie del controlador se calienta levemente durante la utilización de la silla de ruedas.
- Al conducir marcha atrás, la velocidad es reducida.

1. Asegurarse de que:
 - la silla de ruedas esté en una superficie plana;
 - la batería esté completamente cargada, véase §3.7;
 - el motor esté acoplado, véase el § 3.4;
 - la silla esté adaptada a las necesidades y a la comodidad del usuario, véase el § 3.6;
 - el usuario esté sentado en la postura adecuada, véase el § 3.5.
2. Seguir las instrucciones del manual del panel de control.
3. Encender la silla de ruedas.
4. Girar el controlador de velocidad a la velocidad mínima.
5. Probar la conducción hasta habituarse y realizar cualquier ajuste necesario a la silla de ruedas.
6. Una vez que el usuario se sienta más seguro, repetir estos pasos a más velocidad.
7. Luego intentar girar, moviendo la silla de ruedas hacia delante y atrás. Repetir este paso un par de veces.
8. Asegurarse de que la silla de ruedas esté estable al acabar de conducir.
9. Apagar la silla de ruedas.

3.2 Conducción en el exterior



AVISO

Riesgo de accidente: ajustar la velocidad y el comportamiento de conducción.

- Tener siempre en cuenta las leyes de tráfico locales, que pueden variar según el país. Esto incluye la conducción por aceras, caminos sin asfaltar y calles asfaltadas.
- No conducir por calles con tráfico denso.
- Tener siempre en cuenta las condiciones meteorológicas. Evitar conducir con tiempo húmedo, calor extremo, nieve, hielo y temperaturas por debajo de cero. Consultar las especificaciones técnicas en el capítulo 7.

- Asegurarse de resultar visible, incluso durante el día, utilizando prendas fluorescentes o utilizando iluminación propia en la parte delantera y trasera de la silla de ruedas.
- Prestar atención al resto de los transeúntes, para quienes la silla de ruedas puede llegar a ser un obstáculo. Prestar especialmente atención al girar o al echar marcha atrás. Si no se está familiarizado con cómo conducir marcha atrás, practicar primero en un área abierta. Indicar la dirección a la que se quiere ir antes de girar.
- Intentar conducir en línea recta al pasar por pasajes estrechos para evitar quedarse atrapado.
- Tener siempre en cuenta la distancia de frenado. La distancia de frenado depende de la velocidad, la superficie, las condiciones climatológicas, la pendiente y el peso del usuario.

3.2.1 Superación de cuestas, bordillos, obstáculos o rampas

 **PRECAUCIÓN** Riesgo de lesiones por movimientos inesperados

- Utilizar un cinturón de seguridad para evitar caerse de la silla de ruedas.
 - Prestar atención si la calle tiene arena, un suelo blando, agujeros o huecos que puedan causar que las ruedas se queden atascadas o reducir la tracción de las ruedas motrices.
 - NO conducir en pendientes, obstáculos, escalones o bordillos de mayor tamaño que los descritos en las especificaciones técnicas del capítulo 7.
 - Siempre salvar bordillos de frente.
 - No poner la silla de ruedas en modo rueda libre en pendientes. La silla de ruedas podría empezar a moverse causando lesiones al mismo usuario o a otros transeúntes.
 - No utilizar la silla de ruedas en escaleras o escaleras mecánicas.
 - Solo utilizar rampas homologadas por Vermeiren y no exceder su capacidad de carga máxima.
 - Para superar obstáculos o pendientes de forma segura, poner el asiento de la silla de ruedas en la posición más vertical.
- i** Si la silla de ruedas se para en pendiente, el freno se accionará automáticamente para evitar que la silla de ruedas se mueva hacia delante o atrás.

PRECAUCIÓN Riesgo de daños

- Aparcar siempre la silla de ruedas eléctrica en superficies planas horizontales y en lugares de fácil acceso.
- Si fuera necesario, tomar carrerilla con la silla de ruedas para superar una pendiente, un bordillo o una rampa. Tener cuidado con la silla de ruedas para no sufrir choques fuertes.
- Asegurarse de que la silla de ruedas no toca el suelo o la rampa debido a la inclinación de la silla de ruedas.
- Tener en cuenta que la distancia de frenado cuesta abajo es considerablemente mayor que en un terreno llano.

Procedimiento

- Comenzar a conducir siguiendo las instrucciones en el § 3.1, paso 1.
- Para subir o bajar las escaleras/peldaños con la silla de ruedas, utilizar equipo elevador o una rampa. Si no hay disponibles, se puede izar la silla manualmente con por lo menos dos personas, agarrando el bastidor firmemente con ambas manos. No utilizar el respaldo, la(s) placa(s) reposapiés, los reposabrazos o las ruedas para agarrar la silla de ruedas.
- Para superar obstáculos o inclinaciones:
 1. Ajustar la silla de ruedas a su posición más estable, véase el § 3.5.
 2. Conducir lo más lento posible para superar el obstáculo o inclinación.

3.3 Panel de control

i Colocar la palanca de mando en la posición neutral (central) antes de presionar el botón de encendido/apagado, ya que, si no, los componentes electrónicos se bloquearán. Para desbloquearlos, apagar y volver a encender el panel de control.

ES

1. Botón de apagado/encendido
2. Indicador de carga de la batería
3. Indicador de velocidad
4. Botón de la bocina
5. Botón de reducción de velocidad
6. Botón de aumento de velocidad
7. Palanca de mando



3.3.1 Protecciones técnicas

Por la seguridad del usuario y para evitar que la silla de ruedas se dañe, los movimientos están monitorizados por componentes electrónicos. Esto puede provocar una reducción de la velocidad o la parada completa.


- Para evitar que se agote la batería accidentalmente, la silla de ruedas viene equipada con un sistema de apagado automático. El sistema apaga el panel de control automáticamente cuando no se maneja durante un tiempo. Si esto ocurriese, simplemente volver a encender el panel de control.
- Asegurarse de que la palanca de rueda libre está en la posición de freno ANTES de encender la silla de ruedas. Los frenos electromagnéticos NO funcionan si la silla de ruedas está en modo rueda libre. Esto viene indicado en el panel de control. No se puede conducir.

3.3.2 Conducción

1. Pulsar el botón de apagado/encendido (1) para encender la silla de ruedas.
2. Si las luces del indicador de carga de la batería (2) y el indicador de velocidad (3) se encienden, la silla de ruedas está encendida y lista para el uso.
3. Comprobar el indicador de la batería. Cargar la batería si fuera necesario (véase §3.7).
4. Ajustar la velocidad de conducción: reducir la velocidad con el botón de reducción de velocidad (5) o aumentar la velocidad con el botón de aumento de velocidad (6).
5. Empezar a mover la silla de ruedas manejando la palanca de mando (7) lentamente hacia delante/hacia atrás.
6. La velocidad incrementa cuando se empuja la palanca de mando más lejos del centro.
7. Para girar a la izquierda o la derecha, empujar la palanca de mando a la izquierda o la derecha.
8. Para frenar, mover la palanca de mando a la posición neutral.
9. Pulsar el botón de la bocina (4) para avisar a otros conductores/transeúntes en caso necesario.
10. Al llegar al destino, comprobar el estado de la batería y pulsar el botón de apagado/encendido para apagar la silla de ruedas.
11. Cargar la batería si fuera necesario.

3.4 Freno y palanca de rueda libre

 PRECAUCIÓN Riesgo de lesiones o daños

- Utilizar la palanca de rueda libre solamente cuando la silla de ruedas esté APAGADA. La palanca de rueda libre debe manejarla un auxiliar. NUNCA debe manejarse la palanca de rueda libre sentado en la silla de ruedas.
- No utilizar el modo de rueda libre en pendientes y cuestas, véase el símbolo en el motor. 

i Asegurarse de que la palanca de rueda libre está en la posición de freno ANTES de encender la silla de ruedas. Los frenos electromagnéticos NO funcionan si la silla de ruedas está en modo rueda libre. Esto viene indicado en el panel de control. No se puede conducir.

La silla de ruedas viene equipada con frenos electromagnéticos. El funcionamiento de los frenos depende de la posición de la palanca de rueda libre (1).

Los frenos electromagnéticos funcionarán automáticamente **solo si** la palanca de rueda libre (1) está en posición de freno. En esta situación, los frenos se accionarán si:

- la silla de ruedas está APAGADA;
- la silla de ruedas está ENCENDIDA y se suelta la palanca de mando.

Al soltar la palanca de mando, la silla de ruedas comienza a pararse lentamente y acciona los frenos.

Funcionamiento de la palanca de rueda libre:



- Girar la palanca HACIA ARRIBA para poner la silla de ruedas en modo de rueda libre. Ahora el motor está desconectado. La silla de ruedas puede moverse manualmente.



- Girar la palanca HACIA ABAJO para conectar el motor a la propulsión. Esto hay que hacerlo antes de poner en marcha la silla de ruedas.



3.5 Traslado hacia/desde la silla de ruedas

 PRECAUCIÓN Riesgo de lesiones o daños

- En caso de que no se pueda hacer el traslado de manera segura, pedir ayuda a alguien.
- No apoyarse en la(s) placa(s) reposapiés durante el traslado hacia o desde la silla de ruedas.

Traslado

1. Colocar la silla de ruedas lo más cerca posible de usted mientras esté sentado en su silla, sofá, asiento o cama.
2. Aplicar los frenos girando la palanca de rueda libre a la posición de freno, véase §3.4.
3. Plegar la(s) placa(s) reposapiés hacia arriba para evitar apoyarse en ella(s).
4. En caso necesario, plegar un reposabrazos para hacer espacio, véase §2.5.
5. Realizar el traslado hacia/desde la silla utilizando la fuerza de sus brazos o con la ayuda de auxiliares o equipo de elevación.

Sentarse en la silla de ruedas

1. Sentarse sobre el asiento apoyando la zona lumbar contra el respaldo.
2. Girar la(s) placa(s) reposapiés hacia abajo y colocar los pies en la(s) placa(s).
3. Desplegar el reposabrazos, si procede.

ES

Ajustar a una posición estable

Para el transporte y para cuando se salven obstáculos, la silla de ruedas tiene que ajustarse para maximizar su estabilidad:

- Respaldo erguido
- La placa del reposapiés plegada hacia arriba

3.6 Ajustes de comodidad

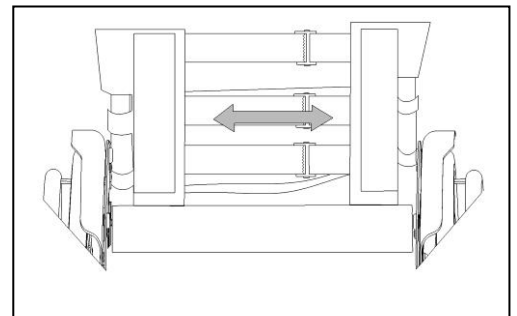
 PRECAUCIÓN Riesgo de lesiones o daños

- Los siguientes ajustes de comodidad pueden realizarlos el auxiliar o el cuidador. El resto de ajustes ha de realizarlos el distribuidor especializado siguiendo las instrucciones de instalación, véase la introducción.
- Asegurarse de que no queden atrapados dedos, ropa o hebillas durante el ajuste.

3.6.1 Apoyo del respaldo

El respaldo de la silla de ruedas tiene un sistema de suspensión con correas de velcro regulables para ajustar la flexibilidad del respaldo.

1. Retirar el cojín del respaldo de las correas de velcro.
2. Aflojar las correas de velcro.
3. Tirar de las correas correspondientes hasta que estén en la posición deseada. La tensión de cada una de las correas puede variarse para configurar el grado de apoyo del respaldo.
4. Volver a colocar el cojín del respaldo sobre el respaldo empezando por la parte frontal y finalizando por la parte trasera.
5. Asegurarse de que el velcro esté bien adherido presionando el cojín contra el respaldo con la mano.
6. Asegurarse de que todas las correas estén bien fijadas con el velcro.



3.7 Estado de la batería y recarga

 AVISO Riesgo de lesiones y daños por incendio

- Usar exclusivamente el cargador de batería suministrado con la silla de ruedas. El uso de otro cargador puede ser peligroso (riesgo de incendio).
- El cargador de batería está diseñado exclusivamente para cargar las baterías suministradas con la silla de ruedas y no debe utilizarse para cargar otras baterías.
- No modificar ninguna de las piezas suministradas como cables, baterías, conectores o cargadores de batería. No abrir o cambiar nunca la batería o los puntos de conexión.
- Proteger la batería y el cargador de batería de las llamas, temperaturas altas y bajas (véase el capítulo 7), humedad, luz del sol e impactos fuertes (p. ej. caídas). NO utilizar la batería en estos casos.
- Recargar la batería en el interior con el cargador de batería, en una zona bien ventilada y fuera del alcance de los niños.

 PRECAUCIÓN Riesgo de daños

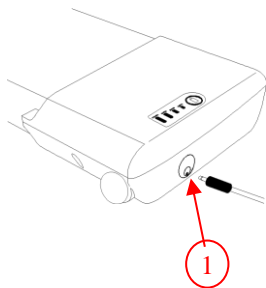
- La autodescarga de la batería y la corriente de reposo de los elementos conectados vaciará lentamente la batería. La batería puede sufrir daños irreparables si se descarga completamente. Por tanto, asegurarse de que la batería se carga a tiempo (véase 3.7).
- Leer las instrucciones de almacenamiento y mantenimiento en el capítulo 4 y los datos técnicos en el capítulo 7.
- No cargar la batería a temperaturas inferiores a 0 °C. Mover la batería a un lugar más cálido y comenzar a cargar.
- Mantener el punto de conexión del cargador de batería libre de polvo o cualquier otro tipo de suciedad.
- Si hubiera algún problema que impida cargar la batería según las instrucciones siguientes, ponerse en contacto con su distribuidor especializado.

Para ver toda la información sobre la indicación del estado de la batería, leer §3.7.

- i** Se recomienda desconectar el cargador de la batería de la red eléctrica cuando no esté en uso para evitar un consumo de energía innecesario.

Comprobar siempre que la batería no está dañada antes de la carga. Pulsar el botón del indicador de carga durante 2 segundos para encender la batería. Si no se ilumina ninguno de los LED del indicador de carga, la batería puede estar dañada. Si se ilumina al menos uno, pero no todos los LED del indicador de carga, cargar totalmente la batería antes de usarla por primera vez.

No cargar ni utilizar una batería dañada. Contactar con su distribuidor especializado.



Para disponer de toda la capacidad de la batería, cargar por completo la batería con el cargador antes de utilizarla por primera vez. La batería puede recargarse en cualquier momento en la silla de ruedas o retirada de la silla de ruedas.

Instrucciones para cargar la batería:

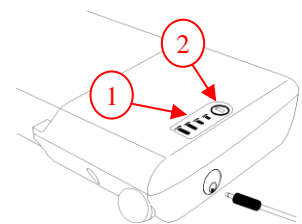
1. Apagar la batería.
2. Si se desea, retirar la batería de su carcasa y evitar que entre suciedad o líquidos en el puerto de carga.
3. Conectar el enchufe del cargador a la batería ①.
4. Conectar el enchufe de red del cargador a la toma de corriente de la pared.
5. El indicador LED en el cargador de la batería mostrará el estado del proceso de carga:
 - Rojo - Cargando
 - Verde - En pausa / Totalmente cargada
6. Una vez que la batería esté totalmente cargada, desconectar el cargador de la toma de corriente de la pared y de la batería.

3.7.1 Indicador de carga de la batería

Hay dos indicadores de carga de la batería :

En la batería:

1. Pulsar el botón ② en la batería.
2. El LED del indicador de carga de la batería ① indicará el nivel de carga de la batería.





Panel de control:

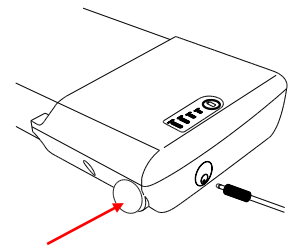
Al encender el sistema eléctrico, el indicador de la batería (2, §3.3) indicará el nivel de carga de la batería.

- Todos los LED encendidos: batería totalmente cargada.
- Solo el LED rojo encendido o parpadeante: recargar inmediatamente la batería.

Ambas indicaciones pueden diferir ligeramente debido al cableado. En tal caso, debe tenerse en cuenta la peor indicación del nivel de carga.

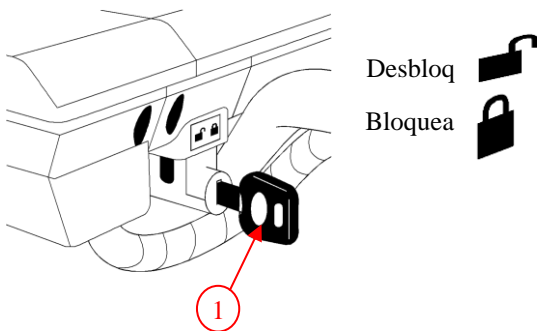
3.8 Encender/apagar el equipo eléctrico

Pulsar el botón de apagado/encendido en el lateral de la batería.



3.9 Montar/retirar la batería

La batería puede retirarse de la silla de ruedas para facilitar la carga.



Para montar la batería:

1. Introducir la llave ① y girarla hacia el símbolo de desbloquear.
2. Introducir la batería en su carcasa hasta el fondo. Solo hay una manera posible de insertar la batería.
3. Girar la llave ① hacia el símbolo de bloquear.
4. Asegurarse de que la batería esté bien fija.
5. Retirar la llave ①. (No retirar nunca la llave mientras se conduce).

Para retirar la batería:

1. Introducir la llave ①.
2. Girar la llave ① hacia el símbolo de desbloquear.
3. Sacar la batería suavemente de su carcasa.

4 Instalación y ajuste

Las instrucciones de este capítulo están dirigidas al distribuidor especializado.

Póngase en contacto con el centro Vermeiren más cercano para encontrar un punto de servicio o distribuidor especializado en su zona.

ES

 AVISO Riesgo de lesiones y daños

- Utilizar únicamente los ajustes descritos en este manual.

4.1 Herramientas

Para ajustar la silla de ruedas se necesitan las siguientes herramientas.

- Llave Allen n.º 4
- Llave n.º 10

4.2 Entrega

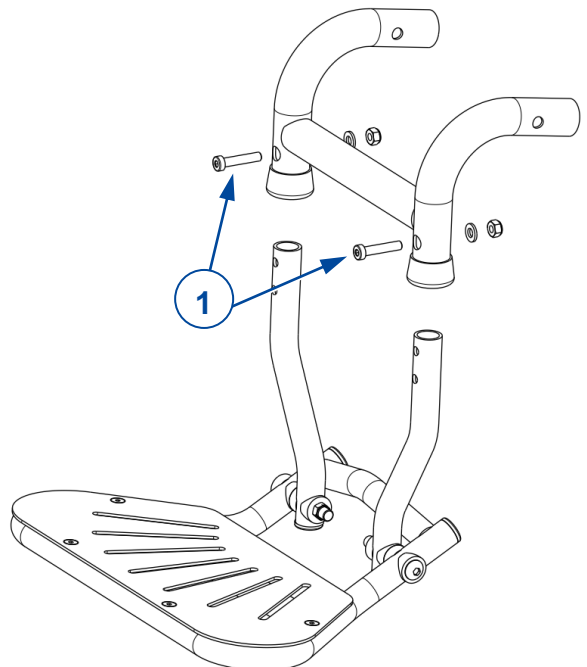
La Vermeiren Plego se entregará con:

- 1 bastidor con reposabrazos, ruedas traseras y delanteras, reposapiés
- Herramientas
- Manual
- Accesorios (opcional)

4.3 Ajuste del reposapiés

La longitud del reposapiés puede ajustarse en 2 posiciones (rango de 20 mm):

1. Retirar los tornillos y las tuercas (1).
2. Ajustar el reposapiés a la longitud deseada.
3. Apretar de nuevo los tornillos y las tuercas.



5 Mantenimiento

5.1 Tiempo de mantenimiento

**PRECAUCIÓN**

Riesgo de lesiones y daños

Únicamente el personal capacitado puede llevar a cabo las reparaciones y las sustituciones, y solo deben utilizarse piezas de recambio originales de Vermeiren.

i La última página de este manual contiene un formulario de registro para que el distribuidor especializado pueda registrar cada mantenimiento.

La frecuencia de los mantenimientos depende de la frecuencia e intensidad de uso. Se recomienda ponerse en contacto con su distribuidor para acordar un horario común para realizar inspecciones, mantenimientos y reparaciones.

Leer las instrucciones de usuario del cargador de batería aplicado sobre su mantenimiento.

Para consultar el manual de mantenimiento, visitar el sitio web de Vermeiren: www.vermeiren.com.

Antes de cada uso

Inspeccionar los siguientes aspectos:

- Todas las piezas: presentes, sin daños ni desgaste.
- Todas las piezas: limpias, véase el § 5.2.2.
- Ruedas, asiento, reposabrazos, reposapiés y reposacabezas (si procede): bien fijados.
- Estado de la batería: recargar la batería cuando sea necesario, véase el § 3.7.
- Panel de control, batería, módulo de alimentación, motores, cargador de batería, luces y cables pertinentes: sin daños, como cables deshilachados, rotos o expuestos.
- Estado de las ruedas/neumáticos, véase el § 5.2.1.
- Estado de las piezas del bastidor: sin deformaciones, inestabilidad, debilidad o conexiones sueltas.
- Asiento, respaldo, almohadillas para los brazos, almohadillas para las pantorrillas y reposacabezas (si procede): sin desgaste excesivo (como abolladuras, daños o grietas).

Ponerse en contacto con el distribuidor especializado para posibles reparaciones o sustitución de piezas.

Cada mes

Aunque se almacene la silla de ruedas durante un periodo de tiempo largo, aún se deben recargar las baterías cada mes. También se puede mantener el cargador de batería conectado a la batería y a la red eléctrica durante este período. Para más información, véase el §3.7.

Anualmente o más regularmente

Realizar las inspecciones y el mantenimiento de su silla de ruedas a través de su distribuidor especializado al menos una vez al año o con mayor frecuencia. La frecuencia mínima de mantenimiento depende del uso y debe, por tanto, acordarse mutuamente con el distribuidor especializado.

En caso de almacenamiento

Asegurarse de que la silla de ruedas se almacena en un entorno seco para evitar la formación de moho o que se dañe la tapicería.

5.2 Instrucciones de mantenimiento

5.2.1 Ruedas y neumáticos

i El funcionamiento correcto de los frenos depende del estado de los neumáticos, que puede cambiar debido al desgaste o la suciedad (agua, aceite, barro, etc.).

- Mantener las ruedas libres de cables, pelos, arena y fibras.
- Comprobar el perfil de los neumáticos. Si la profundidad del dibujo es menor de 1 mm, deben cambiarse los neumáticos. Ponerse en contacto con su distribuidor especializado a este respecto.

5.2.2 Limpieza

PRECAUCIÓN

Riesgo de daños por humedad

- Mantener el panel de control limpio y protegerlo del agua y la lluvia.
- No utilizar nunca una manguera o un limpiador a alta presión para limpiar la silla de ruedas.

Limpiar todas las piezas rígidas de la silla de ruedas con un paño húmedo (no empapado). Si fuera necesario, utilizar un jabón suave que sea apto para limpiar superficies barnizadas y sintéticas.

La tapicería puede limpiarse con agua templada y jabón suave. No utilizar agentes abrasivos para la limpieza.

Mantener las ranuras de ventilación del cargador de batería limpias y libres de acumulaciones de polvo. Soplar el polvo y limpiar la carcasa del cargador de batería con un paño ligeramente húmedo si fuera necesario.

5.2.3 Desinfección

PRECAUCIÓN

Riesgo de daños

La desinfección solo puede llevarla a cabo personal debidamente cualificado. Consultar con su distribuidor especializado.

5.3 Resolución de problemas

Aunque se utilice la silla de ruedas de la manera indicada, también pueden surgir a veces problemas técnicos.

En ese caso, ponerse en contacto con su distribuidor especializado.



AVISO

Riesgo de lesiones y daños a la silla de ruedas

- No intentar NUNCA reparar la silla de ruedas por su cuenta.
- Si hay algún problema con el panel de control, ponerse en contacto con su distribuidor especializado.
El distribuidor decidirá si hay que reprogramar el panel.

En caso de avería aparecerá un código de avería en el panel de control, véase §6.

Los siguientes síntomas pueden indicar un problema grave. Se recomienda, por tanto, ponerse en contacto con su distribuidor especializado si nota los siguientes problemas:

- Ruidos extraños.
- Juegos de cables deshilachados/dañados.
- Conectores agrietados o rotos.
- Desgaste desigual de la banda de uno de los neumáticos.
- Movimientos bruscos.

- La silla de ruedas se desvía a un lado.
- Ensamblajes de las ruedas dañados o rotos.
- La silla de ruedas no se enciende (fusible fundido).
- La silla de ruedas está encendida pero no se mueve, véase 3.4.

ES

5.4 Vida útil prevista

La vida útil media de la silla de ruedas es de 5 años. La vida útil aumentará o disminuirá dependiendo de la frecuencia de uso, las circunstancias de conducción y el mantenimiento.

5.5 Reutilización

Antes de la reutilización por otra persona, hacer que la silla de ruedas sea desinfectada, inspeccionada y sometida a mantenimiento de acuerdo con las instrucciones en §5.1 y §5.2.

5.6 Fin de la vida útil

Al final de la vida útil, la silla de ruedas deberá desecharse siguiendo las leyes medioambientales de su localidad. Para transportar materiales reciclables de la silla de ruedas de manera más cómoda, se recomienda desmontarla primero.

6 Resolución de problemas


AVISO

Riesgo de lesiones y daños al panel de control o a la silla de ruedas

- No intentar NUNCA reparar el panel de control por su cuenta.
- Si hay algún problema con el panel de control, debe ponerse en contacto con su distribuidor especializado. El distribuidor decidirá si hay que reprogramar la consola.

ES

Si se produjera un problema, se mostrará un código de sistema mediante los LED parpadeantes del indicador del estado de la batería, véase §3.3 (2). La siguiente tabla contiene todos los códigos de sistema posibles. Algunos problemas los puede resolver el usuario. Para el resto de problemas resaltados en gris, consultar con un distribuidor especializado al respecto.

Tabla 2: Resolución de problemas

Código	Problema	Significado
1	Batería descargada / mala conexión de la batería	Comprobar las conexiones de la batería. Si las conexiones son correctas, intentar cargar la batería.
2	Mala conexión del motor izquierdo o el codificador	Comprobar las conexiones del motor izquierdo y el codificador.
3	Cableado defectuoso del motor izquierdo / estado calado	
4	Mala conexión del motor derecho o el codificador	Comprobar las conexiones del motor derecho y el codificador.
5	Cableado defectuoso del motor derecho / estado calado	
7	Avería de la palanca de mando	Asegurarse de que la palanca de mando está en la posición central antes de encender el controlador.
7 + S ¹	Fallo de comunicación	Asegurarse de que el cable del módulo de la palanca de mando está correctamente conectado y no está dañado.
8	Posible avería del controlador	Asegurarse de que todas las conexiones son correctas.
9	Mala conexión del freno de estacionamiento	Comprobar el freno de estacionamiento y las conexiones del motor. Asegurarse de que las conexiones del controlador son correctas.
10	Tensión excesiva	La tensión excesiva se debe normalmente a una mala conexión de la batería. Comprobar las conexiones de la batería.

¹S = LED del indicador de velocidad parpadeantes.

7 Especificaciones técnicas

Los siguientes datos técnicos solo son válidos para esta silla de ruedas, con la configuración estándar y en condiciones ambientales óptimas. Tenga en cuenta estos datos durante la utilización. Los valores aquí expuestos dejarán de ser aplicables si la silla de ruedas ha sido modificada, se ha dañado, o sufre de un desgaste intenso. Tenga en cuenta que las prestaciones de conducción dependen de la temperatura ambiente, la humedad, las pendientes (conducir cuesta arriba o cuesta abajo), el tipo de superficie y el estado de la batería.

Tabla 1: Especificaciones técnicas

Marca	Vermeiren
Tipo	Silla de ruedas eléctrica, clase A
Modelo	Plego
Peso máximo del ocupante	130 kg

Descripción	Dimensiones
Longitud total con reposapiés	1000 mm
Anchura total	595 mm
Altura total	980 mm
Longitud plegada	450 mm
Anchura plegada	595 mm
Altura plegada	980 mm
Peso total	24,5 kg
Consumo eléctrico *	12,8 Ah: 15 km 17,5 Ah: 21 km
Pendiente nominal	10°
Subida de obstáculos	15 mm
Velocidad máxima	6 km/h
Máx. distancia de frenado desde la velocidad máx.	1 m
Ángulo plano del asiento	5°
Profundidad efectiva del asiento	430 mm
Ancho efectivo del asiento	450 mm
Altura de la superficie del asiento desde el borde delantero	530 mm
Ángulo del respaldo	5°
Altura del respaldo	460 mm
Distancia entre el reposapiés y el asiento	440 – 460 mm
Ángulo entre la pierna y la superficie del asiento	81°
Distancia entre el reposabrazos y el asiento	195 mm
Ubicación frontal de la estructura del reposabrazos	404 mm
Radio de giro mínimo	1145 mm
Distancia al suelo	65 mm
Diámetro de las ruedas traseras	12"

Marca	Vermeiren
Tipo	Silla de ruedas eléctrica, clase A
Modelo	Plego
Peso máximo del ocupante	130 kg

Tipo de ruedas traseras **	Neumáticos de PU
Diámetro de las ruedas delanteras	200x50
Tipo de ruedas delanteras **	Neumáticos de PU
Descripción eléctrica	
Batería	12,8 Ah 17,5 Ah
Motores de accionamiento	2 x 250 W
Fusible	20 A
Pruebas de resistencias de conformidad con	ISO 7176-8
Pruebas de alimentación eléctrica y sistema de control de conformidad con	ISO 7176-14
Inflamabilidad del tapizado de conformidad con	EN1021-2:2006
Conformidad EMC	ISO 7176-21
Grado de protección	IPX4
Nivel de ruido	< 65 dB (A)
Temperatura de almacenamiento y uso	+5 °C ~ +41 °C
Temperatura de funcionamiento de los componentes electrónicos	-10 °C ~ +40 °C
Humedad de almacenamiento y uso	30 % ~ 70 %

Nos reservamos el derecho a introducir cambios técnicos. Tolerancia dimensional ± 15 mm / 1,5 kg / 1,5°.

*** La distancia de conducción teórica se verá reducida si la silla de ruedas se usa frecuentemente en cuestas, terrenos accidentados o para salvar bordillos.**

**** Dado que pueden usarse diferentes neumáticos, ha de tenerse en cuenta la presión operativa correcta de los neumáticos que se utilicen. Para otros diámetros de neumáticos, consultar con el distribuidor especializado.**

Spis treści

Spis treści	1
Wstęp	2
1 Państwa produkt	3
1.1 Opcje	3
2 Przed użyciem	4
2.1 Przewidziane zastosowanie	4
2.2 Ogólne instrukcje bezpieczeństwa	4
2.3 Symbole na wózku inwalidzkim	5
2.4 Transport	5
2.5 Składanie/rozkładanie	6
2.6 Pierwsze użycie i przechowywanie	7
3 Używanie wózka	8
3.1 Pierwsza jazda	8
3.2 Jazda na powietrzu	8
3.3 Konsola kierownicza	9
3.4 Hamulec i dźwignia wolnego koła	10
3.5 Przesiadanie się na wózek/z wózka	11
3.6 Regulacje elementów mających wpływ na wygodę użytkownika	12
3.7 Stan akumulatora i ładowanie	12
3.8 Włączanie/wyłączanie urządzenia elektrycznego	14
3.9 Montaż/demontaż akumulatora	14
4 Instalacja i regulacje	15
4.1 Narzędzia	15
4.2 Sposób dostawy	15
4.3 Regulacja podnóżka	15
5 Konserwacja	16
5.1 Czas konserwacji	16
5.2 Instrukcje konserwacji	16
5.3 Diagnozowanie i rozwiązywanie problemów	17
5.4 Przewidywany okres użytkowania	17
5.5 Ponowne użycie	18
5.6 Koniec użytkowania	18
6 Diagnozowanie i rozwiązywanie problemów	19
7 Parametry techniczne	20

Wstęp

Gratulacje! Stali się Państwo posiadaczem wózka inwalidzkiego Vermeiren!

Wózek został zbudowany przez zespół wykwalifikowanych i zaangażowanych pracowników. Zaprojektowano i wyprodukowano go zgodnie z wysokimi standardami jakości, jakich przestrzega Vermeiren.

Dziękujemy za zaufanie firmie Vermeiren i jej produktom. Niniejsza instrukcja pomoże właścicielowi w eksploatacji wózka inwalidzkiego i korzystaniu z jego opcji. Prosimy o uważne przeczytanie instrukcji obsługi. Pozwoli ona na zapoznanie się z działaniem, możliwościami i ograniczeniami wózka.

W razie pytań, na które odpowiedzi nie ma w instrukcji, prosimy o kontakt z wyspecjalizowanym sprzedawcą. Sprzedawca chętnie służy pomocą w tym zakresie.

Ważna uwaga

Aby zapewnić bezpieczeństwo i wydłużyć okres użytkowania produktu, prosimy o dbanie o niego oraz regularne dokonywanie przeglądów i serwisowanie.

Instrukcja obejmuje najnowsze rozwiązania zastosowane w produkcji. Firma Vermeiren ma prawo do wprowadzania zmian w produktach tego typu bez obowiązku adaptowania lub wymiany podobnych, poprzednio dostarczonych produktów.

Ilustracje stanowią dodatkowe objaśnienia do niniejszej instrukcji. Szczegóły przedstawionego produktu mogą się różnić od Państwa produktu.

Dostępne informacje

W naszej witrynie internetowej <http://www.vermeiren.com/> zawsze znajduje się najnowsza wersja następujących informacji. Prosimy regularnie odwiedzać witrynę, ponieważ możemy w niej zamieszczać zaktualizowane informacje.

Osoby z zaburzeniami wzroku mogą pobrać elektroniczną wersję niniejszej instrukcji i odsłuchać ją przy użyciu oprogramowania zamieniającego tekst na mowę.



Niniejsza instrukcja użytkownika
Dla użytkownika i wyspecjalizowanego sprzedawcy



Instrukcja serwisowa do wózków inwalidzkich
Dla wyspecjalizowanego sprzedawcy



Deklaracja zgodności WE

1 Państwa produkt



- | | |
|------------------------|---|
| 1. Oparcie | 7. Koła przednie |
| 2. Konsola kierownicza | 8. Koła tylne / koła napędowe z silnikami |
| 3. Podłokietnik | 9. Akumulator |
| 4. Siedzisko | 10. Tabliczka identyfikacyjna |
| 5. Podnóżek | |
| 6. Podpórka pod stopy | |

1.1 Opcje

Informacji w tej kwestii udzieli wyspecjalizowany sprzedawca. Sprzedawca chętnie służy pomocą.

2 Przed użyciem

2.1 Przewidziane zastosowanie

W niniejszej sekcji przedstawiono krótki opis przewidzianego zastosowania wózka inwalidzkiego. W pozostałych sekcjach instrukcje zostały opatrzone istotnymi ostrzeżeniami. W ten sposób chcemy zwrócić uwagę użytkowników na możliwość nieprawidłowej eksploatacji produktu.

- Niniejszy wózek inwalidzki jest przeznaczony do użytku w pomieszczeniach i na zewnątrz.
- Wózek inwalidzki jest zaprojektowany i produkowany w celu transportu wyłącznie jednej (1) osoby ważącej maksymalnie 130 kg. Nie jest przeznaczony do transportu towarów, przedmiotów ani innego wykorzystania niż wcześniej opisane.
- Ten wózek inwalidzki może być obsługiwany przez użytkownika siedzącego na wózku inwalidzkim lub może być popychany przez asystenta. **NIE WOLNO** używać wózka inwalidzkiego bez pomocy asystenta, jeśli użytkownik cierpi na zaburzenia fizyczne lub psychiczne, które mogłyby narazić użytkownika lub inne osoby na niebezpieczeństwo podczas jazdy na wózku. Z wymienionych powodów należy przed rozpoczęciem użytkowania produktu zasięgnąć porady lekarza i upewnić się, że wyspecjalizowany sprzedawca zapoznał się z jego poradą.
- Używać wyłącznie akcesoriów i części zapasowych zatwierdzonych przez Vermeiren.
- Należy się zapoznać ze wszystkimi danymi technicznymi i ograniczeniami wózka, które wskazano w rozdziale 7.
- Gwarancja na produkt jest udzielona przy założeniu normalnego użytkowania i konserwacji, opisanych w niniejszej instrukcji. Uszkodzenie produktu spowodowane nieprawidłową eksploatacją lub brakiem konserwacji spowoduje unieważnienie gwarancji.

2.2 Ogólne instrukcje bezpieczeństwa

 **PRZESTROGA** Ryzyko obrażeń i/lub uszkodzeń

Należy przeczytać zalecenia podane w niniejszej instrukcji i postępować zgodnie z nimi. Niestosowanie się do tych zaleceń może spowodować uraz lub uszkodzenie wózka inwalidzkiego.

Podczas eksploatacji pamiętać o następujących ogólnych ostrzeżeniach:

- Nie używać wózka, jeśli użytkownik jest pod wpływem alkoholu, leków i innych substancji, które mogą mieć wpływ na zdolność jazdy.
- Pamiętać, że niektóre części wózka mogą się stać bardzo gorące lub zimne ze względu na temperaturę otoczenia, promieniowanie słoneczne, urządzenia grzewcze itp. lub rozgrzać się od silnika podczas jazdy. Należy zachować ostrożność podczas ich dotykania. Gdy jest zimno, należy nosić odzież ochronną. Po jeździe poczekać, aż wózek/silnik ostygnie.
- Przed włączeniem wózka zwrócić uwagę na sytuację/otoczenie, w których użytkownik się znajduje. Przed ruszeniem dobrać prędkość do warunków jazdy. Zalecamy, aby w pomieszczeniach jeździć z najniższą prędkością. W przypadku jazdy na zewnątrz można dostosować prędkość do takiej, przy której użytkownik czuje się wygodnie i bezpiecznie.
- **NALEŻY ZAWSZE** pamiętać, że wózek może się nagle zatrzymać, gdy rozładuje się akumulator lub zadziała zabezpieczenie chroniące wózek przed dalszymi uszkodzeniami. Należy też sprawdzić możliwe przyczyny opisane w § 5.3. Należy zapinać pas bezpieczeństwa, aby zapobiegać obrażeniom.
- Wózek został przetestowany pod kątem kompatybilności elektromagnetycznej. Zgodność z normą została potwierdzona, patrz rozdział 7. Niemniej jednak, źródła pól elektromagnetycznych, takie jak telefony komórkowe, agregaty prądotwórcze i źródła energii wielkiej mocy mogą zakłócić działanie mechanizmów jezdnych wózka. Z drugiej strony, układy elektroniczne wózka mogą zakłócić działanie innych urządzeń elektronicznych, takich

jak systemy alarmowe w sklepach lub drzwi automatyczne. Dlatego zalecamy, aby regularnie kontrolować wózek pod kątem uszkodzeń i zużycia, ponieważ mogą one powodować większe zakłócenia (patrz też rozdział 4).

- Należy jeździć tylko po płaskich powierzchniach, na których oba koła napędowe dotykają podłoża, a styk wózka z podłożem umożliwia bezpieczną jazdę i obsługę.
- Bez konsultacji z producentem wózka nie wolno w żaden sposób modyfikować ani wymieniać punktów mocowania wózka, części i elementów konstrukcyjnych i ramy.
- Zwracać uwagę, aby ręce, ubrania, pasy, klamry ani biżuteria nie zostały podczas eksploatacji pochwycone przez koła ani inne ruchome części.

Uwaga: wózek inwalidzki może uruchamiać niektóre systemy przeciwkradzieżowe, zależnie od zastosowanych ustawień. Może to spowodować wywołanie alarmu sklepowego.

Każdy poważny incydent [MDR (UE) 2017/745 §2 (65)], który miał miejsce w związku z wyrobem, należy zgłosić producentowi oraz właściwemu organowi państwa członkowskiego, w którym użytkownik i/lub pacjent ma siedzibę.

2.3 Symbole na wózku inwalidzkim

Do wózka inwalidzkiego mają zastosowanie symbole z następującej listy. Symbole można znaleźć w odpowiednich normach ISO (ISO 7000, ISO 7001 oraz IEC 417).



Maksymalna masa użytkownika w kg



Wyłącznie do użytku w pomieszczeniach (dotyczy ładowarki akumulatora)



Maksymalne bezpieczne nachylenie terenu w ° (stopniach).



Prędkość maksymalna



Oznaczenie typu



Ryzyko przycięcia

2.4 Transport

PRZESTROGA

Ryzyko uszkodzenia

Należy zabezpieczyć wózek inwalidzki przed uszkodzeniami podczas transportu.

2.4.1 Przesuwanie na bok

Użyć konsoli kierowniczej, aby przejechać wózkiem w odpowiednie miejsce.

W przeciwnym razie przestawić wózek w tryb wolnego koła (patrz §3.4) i przepchnąć go za pomocą pałaka do pchania.

2.4.2 Transport drogą lotniczą

Podczas transportu wózka drogą lotniczą należy zablokować i odłączyć akumulator, zanim wózek zostanie przekazany personelowi lotniska (patrz §3.9 i §3.8). Akumulator może pozostać w wózku. Skonsultować się z linią lotniczą, aby zasięgnąć informacji na temat właściwych procedur postępowania.

2.4.3 Transport w pojeździe jako bagaż

Najlepszym sposobem transportu elektrycznego wózka inwalidzkiego w samochodzie jest złożenie go, podniesienie i włożenie do samochodu.

1. Użytkownik wózka powinien się przesiąść na siedzenie pojazdu, patrz §3.5.
2. Usunąć wszystkie ruchome części przed transportem (torby, zagłówek itp.).
3. Części ruchome można bezpiecznie przechowywać za siedzeniem pasażera lub w bagażniku.
4. Złożyć wózek (patrz §2.5), podnieść i włożyć go do samochodu (w razie potrzeby wykonać to w 2 osoby), trzymając za nieruchome części ramy.
5. Przymocować mocno części ramy do pojazdu.
6. Załączyć tryb jazdy wózka (włączyć hamulce postojowe) i sprawdzić, czy konsola kierownicza jest wyłączona.

2.5 Składanie/rozkładanie

 PRZESTROGA Ryzyko obrażeń

- Upewnić się, że podczas składania/rozkładania palce, ubrania, kłamry itp. nie zostaną pochwycone i nie zakleszczą się między częściami.

Aby rozłożyć elektryczny wózek inwalidzki:

1. Wyłączyć wózek.
2. Postawić wózek pionowo na kołach wsporczych (1).
3. Pociągnąć za siedzisko i oparcie, odchylając je od siebie, aby rozłożyć ramę, aż wspornik (2) zatrzaśnie się z kliknięciem. Upewnić się, że wspornik blokujący jest w pozycji zablokowania.
4. Postawić wózek na tylnych i przednich kołach.
5. Pochylić podłokietniki (3) w dół, aż zatrzasną się z kliknięciem.
6. Pochylić podnóżek (4) w dół.
7. Zamontować wyposażenie opcjonalne zdemontowane na czas transportu.
8. Wózek jest teraz gotowy do użytku.

Aby złożyć wózek elektryczny:

1. Wyłączyć wózek.
2. Zdemontować luźne elementy wyposażenia.
3. Upewnić się, że wózek jest w pozycji wolnego koła (patrz §3.4).
4. Nacisnąć przyciski (5) na podłokietnikach i odchylić podłokietniki (3) do tyłu.
5. Odblokować ramę, naciskając wspornik (2).
6. Chwycić za oparcie i ramę siedziska, przycisnąć je do siebie. Upewnić się, że wózek stoi stabilnie pionowo na kołach wsporczych (1).
7. Złożyć podnóżek (4) nad akumulatorem.
8. Jeśli podłokietniki wystają, ustawić je w bardziej złożonej pozycji blisko ramy.



2.6 Pierwsze użycie i przechowywanie



PRZESTROGA

Ryzyko uszkodzenia akumulatora

- Nie wolno dopuszczać do całkowitego rozładowania się akumulatora.
- Nie przerywać cyklu ładowania. Ładownicę odłączyć dopiero wtedy, gdy akumulator będzie w pełni naładowany.
- Upewnić się, że wózek jest przechowywany w suchym stanie, aby zapobiec wzrostowi pleśni i uszkodzeniu tapicerki.
- Szczegóły techniczne na temat przechowywania: patrz rozdział 7.

Przed rozpoczęciem użytkowania wózka inwalidzkiego upewnić się, że akumulator jest w pełni naładowany. Skonsultować się ze sprzedawcą, który poinformuje, czy akumulator został już naładowany. Aby naładować, wykonać instrukcje ładowania w §3.7.

3 Używanie wózka



OSTRZEŻENIE

Ryzyko obrażeń

- Najpierw należy przeczytać poprzednie rozdziały i zaznajomić się z przewidzianym zastosowaniem produktu. NIE używać wózka, dopóki wszystkie instrukcje nie zostaną przeczytane i zrozumiane.
- W razie wątpliwości i pytań prosimy o kontakt z lokalnym wyspecjalizowanym sprzedawcą, opiekunem lub doradcą technicznym, który udzieli pomocy.

3.1 Pierwsza jazda



PRZESTROGA

Ryzyko obrażeń i uszkodzeń

- Zawsze pamiętać o zasięgu wychylenia podnóżka i konsoli kierowniczej, aby nie potrącić i poranić ludzi ani nie uszkodzić innych obiektów.
- Przed rozpoczęciem jazdy zawsze odłączyć ładowarkę od wózka.



- Użytkownik powinien się upewnić, że potrafi obsługiwać wózek, zanim zacznie jeździć w zatłoczonych i potencjalnie niebezpiecznych miejscach. Należy najpierw poćwiczyć na szerokiej otwartej przestrzeni, gdzie jest mało osób postronnych.
- Należy sprawdzić, jaki wpływ na zachowanie się wózka ma przesunięcie środka ciężkości, np. na podjazdach i zjazdach, na podłożach nachylonych w bok i podczas pokonywania przeszkód. Należy zadbać o pomoc asystenta.
- Podczas używania powierzchnia konsoli lekko się nagrzewa.
- Podczas jazdy do tyłu prędkość jest mniejsza niż przy jeździe do przodu.

1. Upewnić się, że:

- wózek stoi na płaskiej powierzchni;
- akumulator jest całkowicie naładowany, patrz § 3.7;
- silnik jest sprzęgnięty, patrz § 3.4;
- wózek jest wyregulowany odpowiednio do potrzeb użytkownika i zapewnia mu wygodę, patrz § 3.6;
- użytkownik siedzi w prawidłowej pozycji, patrz § 3.5.

2. Wykonać czynności zamieszczone w instrukcji konsoli kierowniczej.

3. Włączyć wózek.

4. Obrócić regulator prędkości do najwolniejszego ustawienia.

5. Przećwiczyć jazdę i wyregulować elementy wózka.

6. Gdy użytkownik poczuje się pewniej, może powtórzyć próby jazdy z wyższą prędkością.

7. Teraz można spróbować skręcać, jadąc do przodu i do tyłu. Powtórzyć kilka razy.

8. Po zakończeniu jazdy upewnić się, że wózek stoi stabilnie.

9. Wyłączyć wózek.

3.2 Jazda na powietrzu




OSTRZEŻENIE

Ryzyko wypadku — Dostosować sposób prowadzenia i prędkość.

- Uwzględnić lokalne przepisy ruchu drogowego; w każdym kraju mogą być różne. Dotyczy to jazdy po chodnikach, drogach gruntowych i utwardzonych.
- Nie jeździć po drogach, na których jest duże natężenie ruchu.
- Uwzględnić warunki pogodowe. Unikać jazdy w warunkach wilgotności, upału, śniegu, gołoledzi, temperatur poniżej zera; patrz parametry techniczne w rozdziale 7.
- Użytkownik powinien się upewnić, że jest dobrze widoczny, także w świetle dziennym. Powinien nosić odblaskową odzież i/lub we własnym zakresie zainstalować światła z przodu i z tyłu wózka.

- Zwracać uwagę na innych użytkowników dróg, dla których wózek może być przeszkodą. Szczególną uwagę należy zwracać podczas skrętów i cofania. Jeśli użytkownik nie ma doświadczenia w jeździe do tyłu, powinien przed rozpoczęciem jazdy poćwiczyć na otwartej przestrzeni. Sygnalizować zamiar skrętu przed skręceniem.
- W wąskich przejazdach jechać prosto, aby wózek się nie zablokował.
- Pamiętać o drodze hamowania. Warto pamiętać, że droga hamowania zależy od prędkości, nawierzchni, pogody, nachylenia terenu i masy użytkownika.

3.2.1 Pokonywanie zboczy, krawężników, przeszkód i podjazdów

 **PRZESTROGA** Ryzyko obrażeń w wyniku niespodziewanych manewrów

- Należy zapinać pas bezpieczeństwa, aby bezpiecznie siedzieć na wózku.
 - Uważać, jeśli droga jest piaszczysta, ma nawierzchnię z miękkiego gruntu, są w niej dziury lub szczeliny. Wszystko to może spowodować ugrzęźnięcie kół i/lub zmniejszenie trakcji kół napędowych.
 - NIE jeździć po zboczach, przeszkodach, stopniach i krawężnikach, których rozmiar jest większy niż opisany w parametrach technicznych w rozdziale 7.
 - Krawężniki należy zawsze pokonywać od przodu.
 - Gdy wózek znajduje się na zboczu, nie przestawiać go w tryb wolnego koła. Wózek może zacząć jechać, powodując obrażenia ciała użytkownika i osób postronnych.
 - Nie używać wózka na schodach zwykłych i ruchomych.
 - Używać wyłącznie podjazdów zaakceptowanych przez Vermeiren. Nie przekraczać ich maksymalnego obciążenia.
 - Aby bezpiecznie pokonywać przeszkody i zbocza, ustawić siedzisko wózka możliwie pionowo.
- i** W przypadku zatrzymania się na zboczu, hamulec załączy się automatycznie, aby zapobiec jeździe wózka do przodu lub do tyłu.

PRZESTROGA Ryzyko uszkodzenia

- Wózek elektryczny należy zawsze parkować na poziomych płaskich powierzchniach, w miejscach, które są łatwo dostępne.
- Jeśli jest to konieczne, należy się lekko rozpędzić przed najechaniem na wzniesienie, przeszkodę, krawężnik lub podjazd. Unikać sytuacji, w której użytkownik lub wózek spotyka się z silnym odbiciem.
- Upewnić się, że wózek nie jest wychylony tak, aby dotykał podłoża lub podjazdu.
- Należy pamiętać, że droga hamowania na zboczach może być znacznie dłuższa niż na równym podłożu.

Procedura

- Rozpocząć jazdę zgodnie z instrukcjami zawartymi w § 3.1, krok 1.
- Aby wjeżdżać i zjeżdżać wózkiem po schodach/stopniach, używać sprzętu do podnoszenia lub podjazdu. Jeśli nie są dostępne, wózek mogą podnieść ręcznie co najmniej dwie osoby, trzymające mocno ramę wózka obiema rękami. Nie chwytać wózka za oparcie, podpórki pod stopy, podłokietniki ani koła.
- Pokonywanie przeszkód i nachylonych odcinków:
 1. Ustawić wózek w najbardziej stabilnym położeniu, patrz § 3.5.
 2. Jechać możliwie najwolniej, aby pokonać przeszkodę lub nachylony odcinek.

3.3 Konsola kierownicza

- i** Ustawić joystick w położeniu neutralnym (środkowym) przed naciśnięciem przycisku wł./wył. W przeciwnym razie układy elektroniczne zostaną zablokowane. Aby anulować tę blokadę, wyłączyć konsolę kierowniczą i włączyć ją jeszcze raz.

1. Przycisk wł./wył.
2. Wskaźnik ładowania akumulatora
3. Wskaźnik prędkości
4. Przycisk klaksonu
5. Przycisk zwalniania
6. Przycisk przyspieszania
7. Joystick



3.3.1 Zabezpieczenia techniczne

Ruchami wózka sterują układy elektroniczne, aby zwiększyć bezpieczeństwo użytkownika i zapobiec uszkodzeniu wózka. Może to spowodować zmniejszenie prędkości lub całkowite zatrzymanie.

- Wózek jest wyposażony w system automatycznego wyłączenia zasilania, aby zapobiec przypadkowemu rozładowaniu się akumulatora. System automatycznie wyłącza konsolę kierowniczą, gdy przez pewien czas nie jest używana. W takim przypadku wystarczy ponownie włączyć konsolę.
- **PRZED WŁĄCZENIEM** wózka upewnić się, że dźwignia wolnego koła jest w pozycji hamowania. Hamulce elektromagnetyczne **NIE** działają, gdy wózek jest w trybie wolnego koła. Jest to wskazane na konsoli kierowniczej. Jazda jest wówczas niemożliwa.

3.3.2 Jazda


1. Nacisnąć przycisk WŁ./WYŁ. (1), aby włączyć wózek.
2. Gdy zapalą się kontrolki wskaźnika naładowania akumulatora (2) i wskaźnika prędkości (3), zasilanie wózka jest załączone i wózek jest gotowy do jazdy.
3. Sprawdzić wskaźnik stanu akumulatora. Naładować akumulator w razie potrzeby (patrz §3.7).
4. Dostosowanie szybkości jazdy: zmniejszyć szybkość za pomocą przycisku zwalniania (5) lub zwiększyć szybkość za pomocą przycisku przyspieszania (6).
5. Rozpocząć jazdę wózkiem, powoli przechylając joystick (7) do przodu/do tyłu.
6. Im dalej odchyli się joystick od środka, tym szybciej będzie jechał wózek.
7. Aby skręcić w lewo lub w prawo, przechylić joystick w lewą lub prawą stronę.
8. Aby zahamować, ustawić joystick w położeniu neutralnym.
9. Nacisnąć przycisk klaksonu (4), aby w razie potrzeby ostrzec innych użytkowników drogi.
10. Po dojechaniu na miejsce sprawdzić stan akumulatora i nacisnąć przycisk WŁ./WYŁ., aby wyłączyć wózek.
11. W razie potrzeby naładować akumulator.

3.4 Hamulec i dźwignia wolnego koła



PRZESTROGA

Ryzyko obrażeń i uszkodzeń

- Dźwignię wolnego koła można przestawiać tylko, gdy wózek jest **WYŁĄCZONY**. Dźwignię wolnego koła powinien obsługiwać asystent. **NIGDY** nie obsługiwać dźwigni, siedząc na wózku.
- Nie używać trybu wolnego koła na zboczach i nachylonych odcinkach, patrz symbol  na silniku.

- i** PRZED WŁĄCZENIEM wózka upewnić się, że dźwignia wolnego koła jest w pozycji hamowania. Hamulce elektromagnetyczne NIE działają, gdy wózek jest w trybie wolnego koła. Jest to wskazane na konsoli kierowniczej. Jazda jest wówczas niemożliwa.

Wózek jest wyposażony w hamulce elektromagnetyczne. Działanie hamulców zależy od położenia dźwigni wolnego koła (1).

Hamulce elektromagnetyczne działają automatycznie **wyłącznie wtedy, gdy** dźwignia wolnego koła (1) jest w pozycji hamowania. W takiej sytuacji hamulce zaczynają hamować, gdy:

- wózek jest WYŁĄCZONY;
- wózek jest WŁĄCZONY, a joystick jest puszczone.

Puszczenie joysticka powoduje, że wózek łagodnie się zatrzymuje i aktywuje hamulce.

Obsługa dźwigni wolnego koła:



- Obrócić dźwignie W GÓRĘ, aby przestawić wózek w tryb wolnego koła. Silnik jest teraz rozłączony. Wózek można przestawić ręcznie.



- Obrócić dźwignie W DÓŁ, aby podłączyć silnik do napędu. Należy to zrobić przed uruchomieniem wózka.



PL

3.5 Przesiadanie się na wózek/z wózka



PRZESTROGA

Ryzyko obrażeń i uszkodzeń

- Jeśli użytkownik nie może się bezpiecznie przesiąść, powinien poprosić o pomoc.
- Podczas przesiadania się na wózek/z wózka nie należy stać na podpórkach pod stopy.

Przesiadanie się

1. Umieścić wózek inwalidzki jak najbliżej siebie, siedząc na krześle, tapczanie, fotelu lub łóżku.
2. Załączyć hamulce, obracając dźwignię wolnego koła do położenia hamowania, patrz § 3.4.
3. Złożyć podpórki pod stopy w górę, aby na nich nie stanąć.
4. W razie konieczności odchylić do tyłu jeden z podłokietników, aby zrobić miejsce, patrz §2.5.
5. Przesiąść się na wózek/z wózka, używając siły rąk, sprzętu do podnoszenia lub korzystając z pomocy asystenta (asystentów).

Siedzenie na wózku

1. Usiąść na siedzisku tak, aby dolna część pleców opierała się o oparcie.
2. Obrócić podpórki pod stopy w dół i postawić na nich stopy.
3. Przechylić podłokietnik w dół, jeśli został odchylony.

Dopasowywanie do stabilnej pozycji

Dla celów transportu i pokonywania przeszkód wózek należy wyregulować tak, aby uzyskać jego maksymalną stabilność:

- Oparcie pionowo
- Złożona podpórka pod stopy

3.6 Regulacje elementów mających wpływ na wygodę użytkownika

**PRZESTROGA**

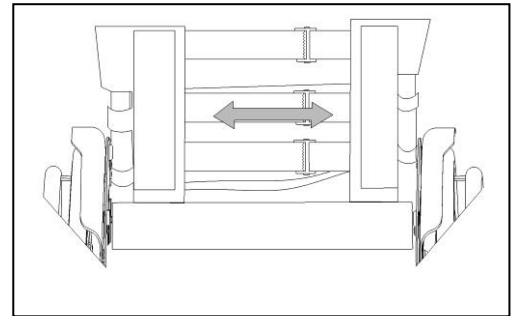
Ryzyko obrażeń i uszkodzeń

- Następujące regulacje elementów mających wpływ na wygodę użytkownika może przeprowadzać asystent lub pomocnik. Wszystkie inne regulacje wykonuje nasz wyspecjalizowany sprzedawca, postępując zgodnie z instrukcją instalacji, patrz wstęp.
- Upewnić się, że podczas regulacji palce, ubrania, klamry itp. nie zostaną pochwycone i nie zakleszczą się między częściami.

3.6.1 Podpora oparcia

Oparcie wózka inwalidzkiego ma układ zawieszenia z regulowanymi paskami z rzepami do regulacji elastyczności oparcia.

1. Odciągnąć poduszkę oparcia od pasków z rzepami oparcia.
2. Poluzować paski na rzepy.
3. Pociągnąć odpowiedni pasek w żądane położenie. Naprężenie poszczególnych pasków można zmieniać, a żądane podparcie pleców ustawić.
4. Umieścić poduszkę oparcia ponownie na oparciu, rozpoczynając od przodu i kończąc z tyłu.
5. Zabezpieczyć połączenia pasków z rzepami, dociskając poduszkę do oparcia ręką.
6. Upewnić się, że wszystkie paski zostały zabezpieczone paskami z rzepami.



3.7 Stan akumulatora i ładowanie

**OSTRZEŻENIE**

Ryzyko obrażeń i uszkodzeń mienia w wyniku pożaru

- Używać wyłącznie ładowarki dostarczonej z wózkiem. Stosowanie innej ładowarki może być niebezpieczne (zagrożenie pożarem).
- Ładowarka jest przeznaczona wyłącznie do ładowania akumulatora dostarczonego z wózkiem. Nie wolno nią ładować innych akumulatorów.
- Nie wolno modyfikować dostarczonych części, takich jak kable, wtyczki lub ładowarka. Nigdy nie otwierać ani nie modyfikować akumulatora ani terminali.
- Chronić akumulator i ładowarkę przed ogniem, wysokimi i niskimi temperaturami (patrz rozdział 7), wilgocią, światłem słonecznym, silnymi uderzeniami (np. upadkiem). **NIE WOLNO** używać akumulatora, jeśli takie zdarzenia wystąpiły.
- Ładować akumulator przy użyciu ładowarki, w pomieszczeniach, w dobrze wentylowanym miejscu, poza zasięgiem dzieci.

PRZESTROGA

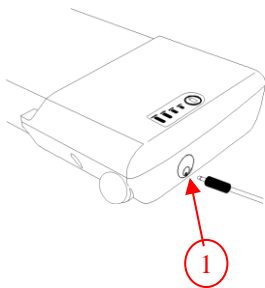
Ryzyko uszkodzenia

- Proces samorozładowania i prąd spoczynkowy podłączonych odbiorów powoduje powolne rozładowanie się akumulatora. Pełne rozładowanie akumulatora może spowodować jego nieodwracalne uszkodzenie. Należy pamiętać, aby w odpowiednim czasie ładować akumulator (patrz 3.7).
- Zapoznać się z instrukcjami przechowywania i konserwacji w rozdziale 4 oraz szczegółami technicznymi w rozdziale 7.
- Nie ładować akumulatora w temperaturze poniżej 0°C. Przenieść akumulator w cieplejsze miejsce i rozpocząć ładowanie.
- Terminal ładowarki powinien być czysty, wolny od kurzu i innych zabrudzeń.
- W razie problemów z ładowaniem akumulatora zgodnie z niniejszymi instrukcjami skontaktować się z wyspecjalizowanym sprzedawcą.

- i** Aby zapoznać się z informacjami na temat wskazań stanu akumulatora, należy przeczytać §3.7.
Zaleca się, aby odłączyć ładowarkę od sieci, gdy jest nieużywana. Oszczędza to energię.

Przed ładowaniem zawsze sprawdzić, czy akumulator nie jest uszkodzony. Nacisnąć przycisk wskaźnika ładowania przez 2 sekundy, aby włączyć akumulator. Jeśli kontrolki LED wskaźnika ładowania się nie zapalą, może to oznaczać, że akumulator jest uszkodzony. Jeśli zapali się przynajmniej jedna, ale nie wszystkie kontrolki LED wskaźnika ładowania, przed pierwszym użyciem akumulatora całkowicie go naładować.

Nie ładować ani nie używać uszkodzonego akumulatora. Skontaktować się z wyspecjalizowanym sprzedawcą.



Aby zadbać o pełną pojemność akumulatora, przed pierwszym użyciem całkowicie go naładować przy użyciu ładowarki. Akumulator można naładować w dowolnym momencie, może być zamontowany w wózku lub zdemontowany.

Instrukcje ładowania akumulatora:

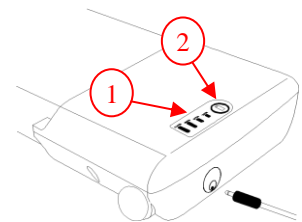
1. Wyłączyć akumulator.
2. W razie potrzeby wyjąć akumulator z obudowy. Nie dopuścić, aby gniazdo ładowania zostało zanieczyszczone lub zalane jakąś cieczą.
3. Podłączyć wtyczkę ładowarki do akumulatora ①.
4. Podłączyć wtyczkę sieciową ładowarki do gniazdka.
5. Wskaźnik LED na ładowarce wskaże stan procesu ładowania:
 - Czerwony - Ładowanie
 - Zielony - Stan gotowości/Pełne naładowanie
6. Gdy akumulator się naładuje, wyciągnąć wtyczki ładowarki z gniazdka i z akumulatora.

3.7.1 Wskaźnik ładowania akumulatora

Dostępne są dwa wskaźniki ładowania akumulatora:

Na akumulatorze:

1. Nacisnąć przycisk ② na akumulatorze.
2. Kontrolka LED wskaźnika ładowania akumulatora ① wskaże poziom naładowania.



Konsola kierownicza:

Gdy układ elektryczny jest włączony, wskaźnik akumulatora (2, §3.3) wskaże poziom naładowania.

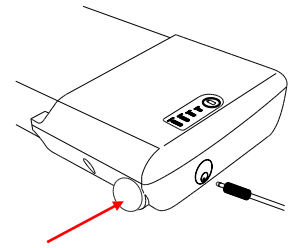
- Wszystkie kontrolki LED włączone: akumulator w pełni naładowany.
- Tylko czerwona kontrolka LED włączona lub migająca: natychmiast naładować akumulator.



Ze względu na okablowanie, oba wskazania mogą się trochę różnić. W takim przypadku przyjąć najgorsze wskazanie poziomu naładowania.

3.8 Włączanie/wyłączanie urządzenia elektrycznego

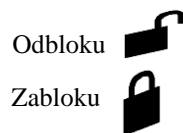
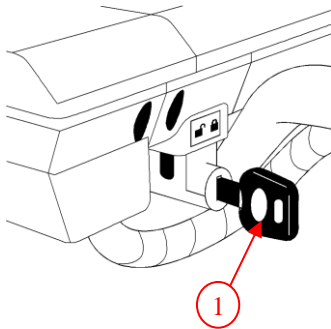
Nacisnąć przycisk wł./wył. z boku akumulatora.



PL

3.9 Montaż/demontaż akumulatora

Akumulator można wyjąć, aby łatwo naładować ją poza wózkiem.



Aby zamontować akumulator:

1. Włożyć kluczyk ① i obrócić go w kierunku symbolu odblokowania.
2. Włożyć do oporu akumulator do jego obudowy. Akumulator można włożyć tylko w jeden sposób.
3. Obrócić kluczyk ① do pozycji zablokowania.
4. Upewnić się, że akumulator jest prawidłowo zamocowany.
5. Wyjąć kluczyk ①. (Nigdy nie wyjmować kluczyka podczas jazdy).


Aby wyjąć akumulator:

1. Włożyć kluczyk ①.
2. Obrócić kluczyk ① do symbolu odblokowania.
3. Delikatnie wyciągnąć akumulator z obudowy.

4 Instalacja i regulacje

Instrukcje w tym rozdziale są przeznaczone dla wyspecjalizowanego sprzedawcy.

Informacje na temat najbliższego punktu serwisowego lub wyspecjalizowanego sprzedawcy można uzyskać w najbliższym oddziale firmy Vermeiren.

 **OSTRZEŻENIE** Ryzyko obrażeń i uszkodzeń

- Należy używać wyłącznie ustawień opisanych w tej instrukcji obsługi.

4.1 Narzędzia

Aby wyregulować wózek inwalidzki, potrzebne są następujące narzędzia:

- Klucz imbusowy 4
- Klucz płaski 10

4.2 Sposób dostawy

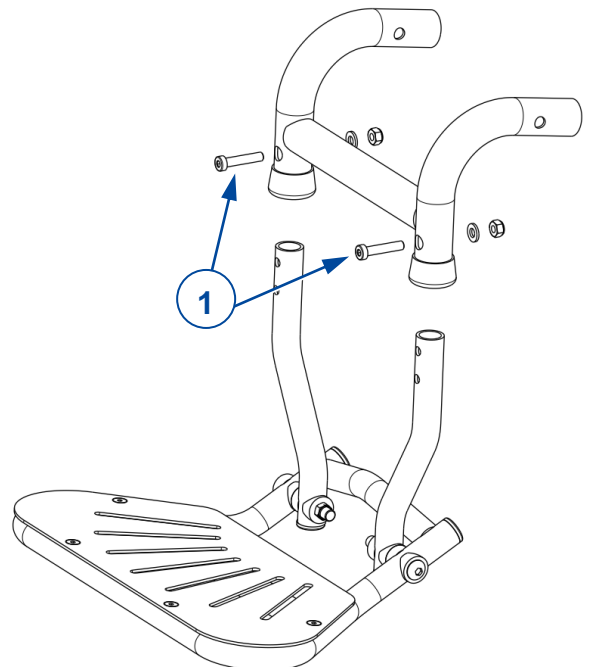
Vermeiren Plego jest dostarczany z następującymi elementami:

- 1 rama z podłokietnikami, koła tylne i przednie, podnóżek
- Narzędzia
- Instrukcja
- Akcesoria (opcjonalne)

4.3 Regulacja podnóżka

Długość podnóżka można ustawić w jednym z 2 położań (zakres 20 mm).

1. Zdemontować śruby i nakrętki (1).
2. Ustawić podnóżek na żądanej wysokości.
3. Dokręcić śruby i nakrętki.



5 Konservacja

5.1 Czas konserwacji

 **PRZESTROGA** Ryzyko obrażeń i uszkodzeń

Naprawę i wymianę części mogą wykonywać tylko osoby przeszkolone. Należy używać wyłącznie oryginalnych części zamiennych Vermeiren.

i Na ostatniej stronie instrukcji znajduje się formularz dla wyspecjalizowanego sprzedawcy, służący do odnotowywania wszystkich czynności serwisowych. Częstotliwość serwisu zależy od częstotliwości i intensywności użytkowania. Skontaktować się ze sprzedawcą, aby uzgodnić harmonogram kontroli/konserwacji/napraw. Przeczytać instrukcje użytkownika dostarczonej ładowarki dotyczące konserwacji. Instrukcję konserwacji można znaleźć w witrynie Vermeiren: www.vermeiren.com.

Przed każdym użyciem

Sprawdzić następujące punkty:

- Wszystkie części: obecne, nieuszkodzone i nieużyte.
- Wszystkie części: czyste, patrz § 5.2.2.
- Koła, siedzisko, podłokietniki, podpórki pod stopy, zagłówek (jeśli dotyczy): prawidłowo zamontowane.
- Stan akumulatora: naładować akumulator w razie potrzeby, patrz §3.7.
- Konsola kierownicza, akumulator, moduł zasilania, silniki, ładowarka, światła, okablowanie: nieuszkodzone, np. żadne przewody nie są przetarte, przerwane lub pozbawione izolacji.
- Stan kół/opon, patrz § 5.2.1.
- Stan części ramy: brak odkształceń, niestabilności, osłabień, poluzowanych połączeń.
- Siedzisko, oparcie, poduszki podłokietnika, poduszki podnóżka i zagłówek (jeśli dotyczy): brak nadmiernego zużycia (wgnieceń, uszkodzeń, rozerwań).

Skontaktować się z wyspecjalizowanym sprzedawcą w kwestii ewentualnych napraw lub wymiany części.

Co miesiąc

Jeśli wózek jest przechowywany przez dłuższy czas, należy co miesiąc doładowywać akumulator. W tym okresie ładowarka może być cały czas podłączona do akumulatora i sieci. Więcej informacji: patrz § 3.7.

Co roku lub częściej

Co najmniej raz w roku lub częściej zlecać kontrolę i serwisowanie wózka inwalidzkiego wyspecjalizowanemu sprzedawcy. Minimalna częstotliwość czynności konserwacyjnych zależy od natężenia eksploatacji. Dlatego należy ją uzgodnić z wyspecjalizowanym sprzedawcą.

W przypadku przechowywania

Upewnić się, że wózek jest przechowywany w suchym miejscu, aby zapobiec wzrostowi pleśni i uszkodzeniu tapicerki.

5.2 Instrukcje konserwacji

5.2.1 Koła i opony

- i** Prawidłowe funkcjonowanie hamulców zależy od stanu opon, który zmienia się w zależności od zużycia i zanieczyszczenia (woda, olej, błoto itp.).
- Koła powinny być czyste i wolne od drutów, włosów, piasku i włókien.
 - Sprawdzić profil opon. Jeśli bieżnik jest płytszy niż 1 mm, opony należy wymienić. Skontaktować się z wyspecjalizowanym sprzedawcą w tej kwestii.

5.2.2 Czyszczenie

PRZESTROGA

Ryzyko uszkodzenia przez wilgoć.

- Konsola kierownicza powinna być czysta i chroniona przed wodą i deszczem.
- Do czyszczenia wózka nigdy nie używać strumienia wody z węża ani myjki wysokociśnieniowej.

Wszystkie twarde części wózka wycierać wilgotną (ale nie ociekającą wodą) ściereczką. W razie konieczności używać łagodnego detergentu odpowiedniego do mycia powierzchni lakierowanych i z tworzyw sztucznych.

Tapicerkę można czyścić letnią wodą z łagodnym detergentem. Do czyszczenia nie używać szorstkich środków czyszczących.

Otwory wentylacyjne ładowarki powinny być czyste, wolne od nagromadzonego kurzu. W razie potrzeby zdmuchnąć kurz i oczyścić obudowę ładowarki lekko zwilżoną ściereczką.

5.2.3 Dezynfekcja

PRZESTROGA

Ryzyko uszkodzenia

Dezynfekcję mogą przeprowadzać wyłącznie odpowiednio przeszkolone osoby. Zasięgnąć porady u wyspecjalizowanego sprzedawcy.

5.3 Diagnozowanie i rozwiązywanie problemów

Nawet jeśli wózek jest użytkowany prawidłowo, może wystąpić problem techniczny. W takim przypadku skontaktować się z lokalnym wyspecjalizowanym sprzedawcą.



OSTRZEŻENIE

Ryzyko obrażeń i uszkodzeń wózka

- NIGDY nie podejmować prób samodzielnej naprawy wózka.
- Jeśli dojdzie do usterki konsoli kierowniczej, należy się skontaktować z wyspecjalizowanym sprzedawcą.
Podejmie on decyzję, czy konsola wymaga przeprogramowania.

W przypadku usterki jej kod wyświetla się na konsoli kierowniczej, patrz §6.

Następujące oznaki mogą sygnalizować poważny problem. Jeśli wystąpią któreś z poniższych sytuacji, zawsze należy się skontaktować z wyspecjalizowanym sprzedawcą:

- Nietypowe dźwięki;
- Przetarte/uszkodzone wiązki kabli;
- Pęknięte lub połamane złącza;
- Nierównomierne zużycie bieżnika na jednej z opon;
- Trzęsące się, rwane ruchy;
- Ściąganie wózka na jedną stronę;
- Uszkodzone lub zepsute zespoły kół;
- Wózek się nie włącza (przepalony bezpiecznik);
- Wózek jest włączony, ale nie jedzie, patrz 3.4.

5.4 Przewidywany okres użytkowania

Przeciętna trwałość wózka inwalidzkiego wynosi 5 lat. Ten czas może być dłuższy lub krótszy, zależnie od częstotliwości korzystania, warunków jazdy i konserwacji wózka.

5.5 Ponowne użycie

Przed każdym ponownym użyciem przez inną osobę wózek należy zdezynfekować, skontrolować i poddać konserwacji zgodnie z instrukcjami w §5.1 i §5.2.

5.6 Koniec użytkowania

PL Po zakończeniu użytkowania należy poddać wózek utylizacji zgodnie z lokalnie obowiązującymi przepisami w zakresie ochrony środowiska. Najlepszym sposobem, aby to zrobić, jest demontaż wózka w celu ułatwienia transportu części nadających się do przetworzenia.

6 Diagnozowanie i rozwiązywanie problemów


OSTRZEŻENIE

Ryzyko obrażeń i uszkodzeń konsoli kierowniczej i wózka

- NIGDY nie podejmować prób samodzielnej naprawy konsoli kierowniczej.
- Jeśli dojdzie do usterki konsoli kierowniczej, należy się skontaktować z wyspecjalizowanym sprzedawcą. Podejmie on decyzję, czy konsola wymaga przeprogramowania.

W razie możliwego problemu odpowiedni kod systemowy jest sygnalizowany przez migające kontrolki LED wskaźnika stanu akumulatora, patrz §3.3 (2). Poniższa tabela zawiera zestawienie możliwych kodów systemowych. Niektóre problemy może rozwiązać sam użytkownik. W przypadku wszystkich problemów oznaczonych kolorem szarym należy się skontaktować z wyspecjalizowanym sprzedawcą.

Tabela 2: Diagnozowanie i rozwiązywanie problemów

Kod	Problem	Znaczenie
1	Akumulator rozładowany/wadliwe podłączenie akumulatora	Sprawdzić podłączenia akumulatora. Jeśli podłączenia są w dobrym stanie, naładować akumulator.
2	Wadliwe podłączenie lewego silnika lub enkodera	Sprawdzić podłączenia lewego silnika i enkodera.
3	Uszkodzone okablowanie lewego silnika/zablokowanie silnika	
4	Wadliwe podłączenie prawego silnika lub enkodera	Sprawdzić podłączenia prawego silnika i enkodera.
5	Uszkodzone okablowanie prawego silnika/zablokowanie silnika	
7	Usterka joysticka	Przed włączeniem sterownika upewnić się, że joystick jest w położeniu środkowym.
7 + S ¹	Usterka komunikacji	Upewnić się, że kabel modułu joysticka jest prawidłowo podłączony i nie jest uszkodzony.
8	Możliwa usterka sterownika	Upewnić się, czy wszystkie podłączenia są prawidłowo wykonane.
9	Wadliwe podłączenie hamulca postojowego	Sprawdzić podłączenia hamulca postojowego i silników. Upewnić się, czy wszystkie podłączenia sterownika są prawidłowo wykonane.
10	Zbyt wysokie napięcie	Przyczyną zbyt wysokiego napięcia jest zwykle nieprawidłowe podłączenie akumulatora. Sprawdzić podłączenia akumulatora.

¹S = Migające kontrolki LED wskaźnika prędkości.

7 Parametry techniczne

Parametry techniczne zamieszczone poniżej dotyczą tylko tego wózka, przy standardowych ustawieniach i optymalnych warunkach otoczenia. Podczas użytkowania należy uwzględnić te parametry. Wartości będą nieważne, jeśli wózek zostanie zmodyfikowany, uszkodzony lub w dużym stopniu zużyty. Należy pamiętać, że parametry jazdy zależą od temperatury otoczenia, wilgotności, nachylenia terenu (jazda w górę/w dół), typu nawierzchni i stanu akumulatora.

Tabela 1: Parametry techniczne

Marka	Vermeiren
Typ	Elektryczny wózek inwalidzki, klasa A
Model	Plego
Maksymalna masa użytkownika	130 kg

Opis	Wymiary
Łączna długość z podnóżkiem	1000 mm
Łączna szerokość	595 mm
Łączna wysokość	980 mm
Długość po złożeniu	450 mm
Szerokość po złożeniu	595 mm
Wysokość po złożeniu	980 mm
Masa łączna	24,5 kg
Zużycie energii *	12,8 Ah: 15 km 17,5 Ah: 21 km
Pokonywane wzniesienie	10°
Wjeżdżanie na przeszkody	15 mm
Prędkość maksymalna przy jeździe do przodu	6 km/h
Maks. droga hamowania przy prędkości maksymalnej	1 m
Kąt płaszczyzny siedziska	5°
Efektywna głębokość siedziska	430 mm
Efektywna szerokość siedziska	450 mm
Wysokość powierzchni siedziska przy przedniej krawędzi	530 mm
Kąt oparcia	5°
Wysokość oparcia	460 mm
Odległość od podnóżka do siedziska	440 – 460 mm
Kąt ustawienia nogi do powierzchni siedziska	81°
Odległość od podłokietnika do siedziska	195 mm
Przednie położenie konstrukcji podłokietnika	404 mm
Minimalny promień skrętu	1145 mm
Prześwit	65 mm
Średnica kół tylnych	12"
Rodzaj kół tylnych **	Opony PU



Marka	Vermeiren
Typ	Elektryczny wózek inwalidzki, klasa A
Model	Plego
Maksymalna masa użytkownika	130 kg

Średnica kół przednich	200x50
Rodzaj kół przednich **	Opony PU
Opis elektryczny	
Akumulator	12,8 Ah 17,5 Ah
Silniki napędowe	2 x 250 W
Bezpiecznik	20 A
Testy wytrzymałości zgodnie z	ISO 7176-8
Testy systemu zasilania i sterowania zgodnie z	ISO 7176-14
Zapalność tapicerki zgodnie z	EN1021-2:2006
Zgodność z EMC	ISO 7176-21
Klasa ochrony	IPX4
Poziom hałasu	< 65 dB (A)
Temperatura przechowywania i użytkowania	+5°C ~ +41°C
Temperatura pracy elementów elektronicznych	-10°C ~ +40°C
Wilgotność podczas przechowywania i użytkowania	30% ~ 70%

Zastrzegamy sobie prawo do wprowadzania zmian technicznych. Tolerancja pomiarów ± 15 mm / 1,5 kg / 1,5°.

*** Teoretyczny zasięg jazdy będzie krótszy, jeśli wózka używa się często na zboczach, nierównym terenie i przejeżdża się przez krawężniki.**

****Ponieważ można stosować różne opony, należy pamiętać o prawidłowym ciśnieniu roboczym używanych opon. W kwestii innych średnic opon skontaktować się ze sprzedawcą.**

Obsah

Obsah	1
Předmluva	2
1 Tento výrobek	3
1.1 Doplnky	3
2 Před použitím	4
2.1 Zamýšlené použití	4
2.2 Obecné bezpečnostní pokyny	4
2.3 Symboly na invalidním vozíku	5
2.4 Přeprava	5
2.5 Složení/rozložení.....	6
2.6 První použití a skladování	7
3 Použití invalidního vozíku	8
3.1 První jízda	8
3.2 Jízda venku	8
3.3 Ovládací konzola.....	9
3.4 Brzdy a páčka volnoběhu	10
3.5 Přesun na invalidní vozík nebo z něj.....	11
3.6 Nastavení pro zajištění pohodlí	11
3.7 Stav a nabíjení baterie	12
3.8 Zapnutí/vypnutí elektrického zařízení.....	13
3.9 Montáž/demontáž baterie.....	13
4 Instalace a seřízení	15
4.1 Nástroje.....	15
4.2 Způsob dodání	15
4.3 Seřízení nožní opěrky	15
5 Údržba	16
5.1 Interval údržby/servisu	16
5.2 Pokyny pro údržbu/servis	16
5.3 Řešení problémů.....	17
5.4 Očekávaná životnost.....	17
5.5 Další použití výrobku	17
5.6 Likvidace výrobku.....	18
6 Řešení problémů	19
7 Technické údaje	20

Předmluva

Blahopřejeme! Nyní jste majiteli invalidního vozíku Vermeiren!

Tento invalidní vozík byl vyroben pečlivými a kvalifikovanými lidmi. Navíc byl navržen a vyroben dle vysokých kvalitativních standardů, nad nimiž dohlíží společnost Vermeiren.

Děkujeme za vaši důvěru ve výrobky společnosti Vermeiren. Tento návod vám pomůže při používání tohoto invalidního vozíku a jeho funkcí. Řádně si jej přečtěte; pomůže vám seznámit se s ovládáním, schopnostmi a omezeními tohoto invalidního vozíku.

Máte-li po přečtení tohoto návodu jakékoli otázku, neváhejte se obrátit na specializovaného prodejce. Rád vám v této věci pomůže.

Důležitá poznámka

Aby byla zajištěna vaše bezpečnost a prodloužena životnost tohoto výrobku, věnujte mu řádnou péči a nechávejte jej pravidelně kontrolovat a opravovat.

Tento návod odráží nejnovější vývoj výrobku. Společnost Vermeiren má právo v tomto typu výrobku provádět změny, aniž by byla povinna upravit nebo nahradit podobné výrobky, které již byly dodány.

Obrázky slouží k objasnění pokynů v tomto návodu. Detaily výrobku na obrázcích se mohou od vaše výrobku lišit.

Dostupné informace

Na našich webových stránkách <http://www.vermeiren.com/> naleznete vždy nejnovější verzi následujících dokumentů. Tyto webové stránky pravidelně navštěvujte, abyste se dozvěděli o případných aktualizacích.

Osoby se zhoršeným zrakem si mohou stáhnout elektronickou verzi tohoto návodu a nechat si ji číst pomocí softwarové aplikace převádějící text na řeč.



Tento návod k obsluze
Pro uživatele a specializované prodejce



Servisní příručka pro invalidní vozíky
Pro specializované prodejce



Prohlášení o shodě ES

1 Tento výrobek

CS



- | | |
|---------------------|-------------------------------------|
| 1. Opěradlo | 7. Přední kola |
| 2. Ovládací konzola | 8. Zadní kola / hnací kola s motory |
| 3. Loketní opěrka | 9. Baterie |
| 4. Sedadlo | 10. Identifikační štítek |
| 5. Nožní opěrka | |
| 6. Podnožka | |

1.1 Doplnky

Informace o doplňcích můžete získat od specializovaného prodejce. Velmi rád vám poradí.

2 Před použitím

2.1 Zamýšlené použití

V tomto odstavci je uveden stručný popis zamýšleného použití tohoto invalidního vozíku. V dalších odstavcích jsou pak k pokynům přidána příslušná varování. Tímto způsobem chceme upozornit na případné chybné použití, k němuž by mohlo dojít.

- Tento invalidní vozík je vhodný pro domácí a venkovní použití.
- Tento invalidní vozík je konstruován a vyroben výhradně k přepravě/přemístění jedné (1) osoby o maximální hmotnosti 130 kg. Není konstruován pro přepravu zboží či předmětů ani pro žádný jiný účel, než který je popsán výše.
- Tento invalidní vozík může ovládat na něm sedící uživatel nebo jej může tlačit asistent. Tento invalidní vozík **NESMÍTE** používat bez pomoci asistenta, trpíte-li tělesnou či duševní poruchou, která by mohla vás nebo jiné osoby ohrozit při řízení invalidního vozíku. Z tohoto důvodu se nejprve obraťte na lékaře a zajistěte, aby byl specializovaný prodejce informován o jeho posudku.
- Používejte pouze příslušenství a náhradní díly schválené společností Vermeiren.
- Přečtěte si o všech technických detailech a omezeních tohoto invalidního vozíku v kapitole 7.
- Záruka na tento výrobek je založena na běžném použití a údržbě, jak je to popsáno v tomto návodu. V případě poškození výrobku způsobeného nesprávným použitím či absencí údržby tato záruka zanikne.

2.2 Obecné bezpečnostní pokyny

 **UPOZORNĚNÍ** Riziko zranění nebo poškození

Přečtěte si pokyny v tomto návodu a postupujte podle nich. Jinak se můžete zranit nebo se váš invalidní vozík může poškodit.

Při používání mějte na paměti tato obecná varování:

- Tento invalidní vozík nepoužívejte, jste-li pod vlivem alkoholu, léků či jiných látek, které by mohly ovlivnit vaše schopnosti jej řídit.
- Mějte na paměti, že některé části invalidního vozíku mohou být velmi teplé či studené vlivem okolní teploty, slunečního záření, topných těles nebo kvůli motorovému pohonu během jízdy. Když se budete vozíku dotýkat, buďte opatrní. Za chladného počasí používejte ochranný oděv. Po jízdě vyčkejte, dokud invalidní vozík / motor nevychladne.
- Před zapnutím invalidního vozíku si uvědomte prostředí/situaci, ve které se právě nacházíte. Podle toho upravte rychlost, než vyjedete. Při jízdě uvnitř budov doporučujeme používat nejpomalejší nastavení rychlosti. Při jízdě venku můžete nastavit vhodnou rychlost, která pro vás bude pohodlná a bezpečná.
- Mějte **VŽDY** na paměti, že se tento invalidní vozík může náhle zastavit kvůli vybité baterii nebo ochraně, která zabraňuje jeho dalšímu poškození. Zkontrolujte také možné příčiny uvedené v odst. 5.3. K prevenci zranění používejte bezpečnostní pás.
- U tohoto invalidního vozíku byla testována elektromagnetická kompatibilita a vozík splňuje příslušnou normu, viz kapitola 7. Nicméně zdroje elektromagnetických polí, jako jsou mobilní telefony, elektrogenerátory či jiné vysoce výkonné zdroje energie, mohou ovlivnit provoz invalidního vozíku. Elektronika invalidního vozíku ovšem také může rušit jiné elektronické přístroje, jako jsou poplašné systémy v obchodech nebo automatické dveře. Proto doporučujeme pravidelně kontrolovat, zda invalidní vozík není poškozen nebo opotřeben, protože to by mohlo míru rušení zvýšit (viz také kapitola 4).
- Jezděte pouze na povrchu, kde se mohou dotýkat země obě hnací kola, a kde je dostatečný kontakt pro bezpečnou jízdu invalidního vozíku.

- Bez konzultace s výrobcem invalidního vozíku nesmějí být prováděny úpravy ani výměny na zajišťovacích bodech ani na konstrukčních či rámových dílech nebo součástech invalidního vozíku.
- Dávejte pozor, aby během používání nedošlo k zachycení rukou, oděvů, pásků, přezek či šperků v kolech nebo jiných pohyblivých součástech.

Mějte na paměti, že v závislosti na použitém nastavení může invalidní vozík rušit některé typy zabezpečovacích systémů proti krádeži. To může způsobit spuštění alarmu v obchodu.

Jakýkoli závažný incident [dle MDR (EU) 2017/745 §2 (65)], ke kterému došlo v souvislosti s prostředkem, by měl být oznámen výrobcí a příslušnému orgánu členského státu, ve kterém je uživatel/nebo pacient usazen.

2.3 Symboly na invalidním vozíku

Pro tento invalidní vozík platí symboly v následujícím seznamu. Symboly lze vyhledat v příslušné normě ISO (ISO 7000, ISO 7001 a IEC 417).



Maximální hmotnost uživatele v kg



Pouze domácí použití (nabíječka baterií)



Maximální bezpečný sklon ve ° (stupních).



Maximální rychlost



Typové označení



Nebezpečí skřípnutí

2.4 Přeprava

UPOZORNĚNÍ

Riziko poškození

Přijměte opatření k ochraně invalidního vozíku před poškozením při přepravě.

2.4.1 Přemístění

K řízení invalidního vozíku na místo určení použijte ovládací konzolu.

Jinak uveďte invalidní vozík do volnoběžného režimu (viz odst. 3.4) a k jeho pohybu použijte tlačnou tyč.

2.4.2 Přeprava letadlem

Pokud přepravujete vozík letadlem, před předáním vozíku letištnímu personálu zamkněte a odpojte baterii (viz odst. 3.9 a odst. 3.8). Baterie může zůstat ve vozíku. O správném postupu se poraďte s leteckou společností.


2.4.3 Přeprava vozidlem jako zavazadlo

Nejlepší způsob, jak elektrický invalidní vozík naložit do vozidla, je složit jej a zvednout jej do vozidla.

1. Jako uživatel invalidního vozíku se přemístěte na sedadlo vozidla, viz odst. 3.5.
2. Před přepravou odmontujte všechny pohyblivé díly (tašky, hlavovou opěrku atd.).
3. Pohyblivé díly bezpečně uložte za sedadlo spolujezdce nebo do zavazadlového prostoru.
4. Složte vozík (viz odst. 2.5) a zvedněte jej do vozidla (v případě potřeby s pomocí 2 osob) tak, že uchopíte pevné části rámu.
5. Upevněte pevné součásti rámu bezpečně k vozidlu.
6. Uvedte invalidní vozík do jízdního režimu (s aktivací parkovacích brzd) a ověřte, že je ovládací konzola vypnutá.

CS

2.5 Složení/rozložení

 UPOZORNĚNÍ Riziko zranění

- Dávejte pozor, aby se při skládání a rozkládání nezachytily prsty, oděv nebo spony.

Rozložení elektrického invalidního vozíku:

1. Vypněte invalidní vozík.
2. Postavte vozík do vzpřímené polohy na podpurná kolečka (1).
3. Roztažením sedadla a opěrky směrem od sebe rozložte rám, dokud se úchyt (2) nezacvakne na místo. Zkontrolujte, že je zajišťovací úchyt v zajištěné poloze.
4. Postavte vozík na zadní a přední kola.
5. Sklopte loketní opěrky (3) dolů, dokud nezacvaknou na místo.
6. Sklopte nožní opěrku (4).
7. Nasadte doplňky, které byly sundány pro přepravu.
8. Invalidní vozík je teď připraven k použití.

Složení elektrického invalidního vozíku:

1. Vypněte invalidní vozík.
2. Sundejte všechny volné doplňky.
3. Ujistěte se, že vozík je v poloze volnoběhu (viz odst. 3.4).
4. Stiskněte tlačítka (5) na loketních opěrkách a složte loketní opěrky (3) dozadu.
5. Odemkněte rám stisknutím úchytu (2).
6. Uchopte opěrku a rám sedadla a zatlačte je směrem k sobě. Vozík musí stabilně stát ve vzpřímené poloze na podpurných kolečkách (1).
7. Zaklopte nožní opěrku (4) přes baterii.
8. Pokud loketní opěrky vyčnívají, posuňte je do kompaktnější polohy blíže k rámu.



2.6 První použití a skladování



UPOZORNĚNÍ

Riziko poškození baterie

- Baterii nikdy úplně nevybíjejte.
- Nepřerušujte nabíjecí cyklus; nabíječku odpojte od baterie, jen když je baterie zcela nabitá.
- Invalidní vozík skladujte na suchém místě, aby se nevyskytly plísně a nepoškodilo se čalounění.
- Zkontrolujte technické údaje pro skladování, viz kapitola 7.

Před použitím invalidního vozíku zkontrolujte, že je baterie plně nabitá, zeptejte se svého prodejce, zdali to již bylo provedeno či nikoliv. Nabíjení provádějte podle pokynů k nabíjení v odst. 3.7.

3 Použití invalidního vozíku



VAROVÁNÍ

Riziko zranění

- Nejprve si přečtěte předchozí kapitoly a seznamte se se zamýšleným použitím. Invalidní vozík NIKDY nepoužívejte, dokud si nepřečtete a plně neporozumíte všem pokynům.
- V případě pochybností či dotazů se neváhejte obrátit na místního specializovaného prodejce, poskytovatele péče nebo technického poradce, aby vám pomohl.

CS

3.1 První jízda



UPOZORNĚNÍ

Riziko zranění a poškození

- Abyste nezranili osoby stojící okolo nebo nepoškodili předměty, vždy myslete na rozsah pohybu podnožky a ovládací konzoly.
- Před zahájením jízdy vždy odpojte nabíječku baterií od invalidního vozíku.

- i**
- Před používáním vozíku na přeplněných a možná nebezpečných místech se naučte vozík řádně ovládat. Nejprve se cvičně projedte na volném prostranství, kde není příliš mnoho lidí.
 - Vyzkoušejte si chování invalidního vozíku při změně těžiště, např. v mírném sklonu nahoru či dolů, v bočním svahu nebo při překonávání překážek. Požádejte o pomoc asistenta.
 - Povrch ovladače se během používání mírně zahřívá.
 - Při jízdě dozadu je rychlost snížena.

1. Zajistěte, aby:

- byl invalidní vozík na rovném povrchu;
- byla plně nabitá baterie, viz odst. 3.7;
- byl spřažen motor, viz odst. 3.4;
- byl invalidní vozík přizpůsoben vašim potřebám a pohodlí, viz odst. 3.6;
- byla vaše poloha vsedě správná, viz odst. 3.5.

2. Postupujte podle pokynů v návodu k ovládací konzole.

3. Zapněte napájení invalidního vozíku.

4. Nastavte nejnižší rychlost.

5. Vyzkoušejte si invalidní vozík řídit a seřídte jej.

6. Získáte-li větší jistotu, vyzkoušejte si řízení s vyšší rychlostí.

7. Nyní zkoušejte zatáčet, směrem vpřed a směrem vzad. Několikrát to zopakujte.

8. Zajistěte, aby po ukončení jízdy zůstal invalidní vozík stabilně stát.

9. Vypněte napájení invalidního vozíku.

3.2 Jízda venku



VAROVÁNÍ

Riziko nehody – přizpůsobte svou jízdu a rychlost.

- Berte v potaz místní dopravní předpisy; v různých zemích se mohou lišit. To se týká jízdy na chodnících, nezpevněných cestách či zpevněných silnicích.
- Nejezděte na silnicích se silným provozem.
- Berte v potaz povětrnostní podmínky. Nejezděte ve vlhkém počasí, v extrémním teple, na sněhu, na ledovce, při teplotách pod nulou; viz technické údaje v kapitole 7.
- Zajistěte, abyste byli dobře vidět (i za denního světla) pomocí fluorescenčního oděvu nebo vlastního osvětlení na přední a zadní straně invalidního vozíku.
- Mějte na paměti další účastníky silničního provozu, pro něž může být tento invalidní vozík překážkou. Při otáčení a couvání dbejte zvýšené opatrnosti. Nejste-li seznámeni s jízdou dozadu, nejprve si to procvičte na volném prostranství. Před zatočením signalizujte směr, kam hodláte jet.

- V úzkém průjezdu se snažte jet rovně, abyste v něm neuvízli.
- Vždy mějte na zřeteli brzdnu dráhu. Nezapomeňte, že brzdná dráha závisí na rychlosti, povrchu, povětrnostních podmínkách, sklonu povrchu a hmotnosti uživatele.

3.2.1 Zvládání svahů, obrubníků, překážek či ramp

 **UPOZORNĚNÍ** Riziko zranění kvůli neočekávanému pohybu

- K zajištění při sezení v invalidním vozíku použijte zádržný bezpečnostní pás.
 - Dbejte zvýšené opatrnosti v případě, že je na silnici písek, měkká zemina, díry či výtluky, které mohou způsobit uvíznutí kol nebo snížit trakci hnacích kol.
 - NIKDY nejezděte na svahy, překážky, schody či obrubníky, které překračují hodnoty uvedené v technických údajích v kapitole 7.
 - K obrubníku přijíždějte zepředu.
 - Na svahu invalidní vozík neuvádějte do volnoběžného režimu. Invalidní vozík by se mohl sám rozjet a způsobit zranění vám či okolním osobám.
 - Tento invalidní vozík nepoužívejte na eskalátoru ani na schodech.
 - Používejte pouze rampy schválené společností Vermeiren a nepřekračujte maximální nosnost.
 - K bezpečnému překonání překážek a svahů nastavte vozík do nejvzprámenější polohy pro sezení.
- i** Když zastavíte na svahu, automaticky se aktivuje brzda, aby se invalidní vozík nerozjel vpřed nebo vzad.

UPOZORNĚNÍ Riziko poškození

- Elektrický invalidní vozík vždy parkujte na plochých vodorovných a snadno přístupných místech.
- V případě potřeby před najetím na svah, překážku či obrubník invalidní vozík trochu zrychlete. Zajistěte, abyste vy či tento invalidní vozík nemuseli zvládat velký zpětný ráz.
- Zajistěte, aby se invalidní vozík při jeho naklonění nedotýkal země nebo rampy.
- Mějte na zřeteli, že brzdá dráha je při jízdě dolů ze svahu mnohem delší než při jízdě po rovině.

Postup

- Zahajte jízdu podle pokynů v odst. 3.1, krok 1.
- Pro přesun invalidního vozíku nahoru či dolů po schodech použijte zvedací zařízení nebo rampu. Nejsou-li tyto k dispozici, mohou jej zvednout ručně nejméně dvě osoby, které oběma rukama pevně uchopí rám. K uchopení invalidního vozíku nepoužívejte opěradlo, podnožky, loketní opěrky ani kola.
- Zvládání překážek nebo svahů:
 1. Seřídte invalidní vozík do nejstabilnější polohy, viz odst. 3.5.
 2. Jeďte co nejpomaleji, abyste překážku nebo svah zvládli.

3.3 Ovládací konzola

- i** Před stisknutím vypínače uveďte joystick do neutrální (středové) polohy, jinak dojde k zablokování elektroniky. Toto zablokování lze uvolnit tak, že vypnete ovládací konzolu a znovu ji zapnete.

1. Vypínač
2. Ukazatel nabití baterie
3. Ukazatel rychlosti
4. Tlačítko houkačky
5. Tlačítko snížení rychlosti
6. Tlačítko zvýšení rychlosti
7. Joystick



3.3.1 Technické ochrany

Pro vaši bezpečnost, a aby se invalidní vozík nepoškodil, jsou jeho pohyby monitorovány elektronikou. To může vést ke snížení rychlosti nebo úplnému zastavení.


- Aby nedošlo k náhodnému vybití baterie, je invalidní vozík vybaven systémem automatického vypnutí napájení. Tento systém automaticky vypne ovládací konzolu, když není delší dobu používána. Pokud k tomu dojde, stačí konzolu opět zapnout.
- PŘED zapnutím vozíku ověřte, že je páčka volnoběhu v poloze brzdění. Je-li invalidní vozík v režimu volnoběhu, jeho elektromagnetické brzdy NEFUNGUJÍ. To je signalizováno na ovládací konzole. Jízda není možná.

3.3.2 Jízda

1. Zapněte vozík stisknutím vypínače (1).
2. Když se rozsvítí kontrolky ukazatele nabití baterie (2) a ukazatele rychlosti (3), vozík má k dispozici napájení a je připraven k jízdě.
3. Zkontrolujte ukazatel stavu baterie. V případě potřeby baterii nabijte (viz odst. 3.7).
4. Nastavte rychlost jízdy: rychlost snížíte tlačítkem snížení rychlosti (5) a zvýšíte tlačítkem zvýšení rychlosti (6).
5. Rozjedte vozík pomalým pohybem joysticku (7) dopředu nebo dozadu.
6. Když zatlačíte joystick dál od středu, zvýší se rychlost.
7. Chcete-li zatočit doleva nebo doprava, zatlačte joystick doleva nebo doprava.
8. Chcete-li zabrzdít, přemístěte joystick do neutrální polohy.
9. V případě potřeby můžete upozornit ostatní účastníky provozu stisknutím tlačítka houkačky (4).
10. Po příjezdu do cíle zkontrolujte stav baterie a stisknutím vypínače vozík vypněte.
11. V případě potřeby nabijte baterii.

3.4 Brzdy a páčka volnoběhu

 **UPOZORNĚNÍ** Riziko zranění či poškození

- Páčku volnoběhu používejte pouze tehdy, když je vozík vypnutý. Páčku volnoběhu by měl obsluhovat asistent. NIKDY ji nepoužívejte při sezení ve vozíku.
- Režim volnoběhu nepoužívejte na svazích a nakloněných površích, viz symbol na motoru. 

i PŘED zapnutím vozíku ověřte, že je páčka volnoběhu v poloze brzdění. Je-li invalidní vozík v režimu volnoběhu, jeho elektromagnetické brzdy NEFUNGUJÍ. To je signalizováno na ovládací konzole. Jízda není možná.

Tento invalidní vozík je vybaven elektromagnetickými brzdami. Funkce brzd je závislá na poloze páčky volnoběhu (1).

Elektromagnetické brzdy fungují automaticky **pouze tehdy**, když je páčka volnoběhu (1) v poloze brzdění. V této situaci začnou brzdy brzdit, pokud:

- je invalidní vozík vypnutý;
- je invalidní vozík zapnutý a joystick je uvolněn.

Uvolněním joysticku dojde k plynulému zastavení vozíku a aktivaci brzd.

Obsluha páčky volnoběhu:



- Chcete-li uvést invalidní vozík do režimu volnoběhu, otočte páčku NAHORU. Nyní je motor odpojen. Invalidním vozíkem lze pohybovat ručně.



- Chcete-li připojit motor k pohonu kol, otočte páčku DOLŮ. To se musí udělat před zapnutím invalidního vozíku.



CS

3.5 Přesun na invalidní vozík nebo z něj



UPOZORNĚNÍ

Riziko zranění či poškození

- Pokud nemůžete přesun provést bezpečně, požádejte někoho o asistenci.
- Během přemístění na invalidní vozík nebo z něho nešlapejte na podnožky.

Přesun

1. Když sedíte na židli, pohovce, sedačce či posteli, umístěte invalidní vozík co nejbližší k sobě.
2. Aktivujte brzdy otočením páčky volnoběhu do polohy brzdění, viz odst. 3.4.
3. Sklopte podnožku/podnožky nahoru, aby na nich nebylo možné stát.
4. V případě potřeby vytvořte více prostoru zaklopením jedné loketní opěrky, viz odst. 2.5.
5. Přesuňte se na invalidní vozík nebo z něj pomocí svých paží nebo s pomocí asistenta/asistentů či zdvihacího zařízení.

Sezení v invalidním vozíku

1. Sedněte si na sedadlo a dolní část zad opřete o opěradlo.
2. Otočte podnožku/podnožky dolů a položte na ni/ně své nohy.
3. Je-li to zaklopena, sklopte loketní opěrku.

Nastavení stabilní polohy

Pro účely přepravy a v případě nutnosti překonat překážky musí být invalidní vozík nastaven tak, aby byl maximálně stabilní:

- opěradlo vzpřímené,
- podnožka složená nahoru.

3.6 Nastavení pro zajištění pohodlí



UPOZORNĚNÍ

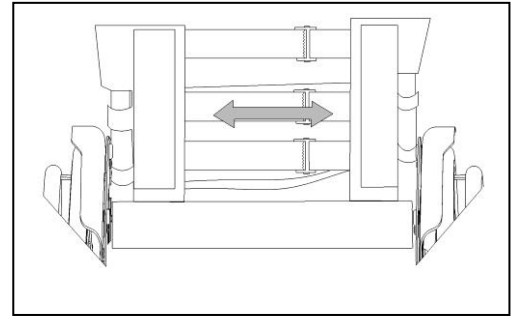
Riziko zranění či poškození

- Asistenti nebo pečovatelé mohou provádět následující nastavení pro zajištění pohodlí. Všechna ostatní seřízení jsou prováděna specializovaným prodejcem podle návodu k instalaci, viz předmluva.
- Dávejte pozor, aby se při seřizování nezachytily prsty, oděv nebo spony.

3.6.1 Podpěra opěradla

Opěradlo vozíku má systém zavěšení s nastavitelnými suchými zipy, pomocí kterého lze nastavit flexibilitu opěradla.

1. Stáhněte polštář opěradla ze suchých zipů.
2. Uvolněte suché zipy.
3. Nastavte jednotlivé řemínky do požadované polohy. Napnutí jednotlivých řemínků se může lišit a je možné nastavit požadovanou podporu zad.
4. Umístěte polštář opěradla zpět na opěradlo; začněte vpředu a skončete vzadu.
5. Zajistěte spojení suchými zipy tak, že rukou přitisknete polštář k opěradlu.
6. Ujistěte se, že jsou všechny řemínky zajištěné suchými zipy.



3.7 Stav a nabíjení baterie



VAROVÁNÍ

Riziko zranění a poškození kvůli požáru

- Používejte pouze nabíječku baterií dodanou s invalidním vozíkem. Použití jakékoli jiné nabíječky může být nebezpečné (riziko požáru).
- Nabíječka baterií je určena pouze k nabíjení baterií dodaných s invalidním vozíkem. Není určena k nabíjení žádných jiných baterií.
- Neupravujte žádné dodané díly, jako jsou kabely, zástrčky nebo nabíječka baterií. Nikdy neotevírejte ani neměňte baterii ani přípojky.
- Chraňte baterii a nabíječku baterií před plameny, vysokými a nízkými teplotami (viz kapitola 7), vlhkostí, slunečním zářením a silnými otřesy (např. při upuštění). Pokud již k tomu došlo, baterii NEPOUŽÍVEJTE.
- Baterii nabíjejte pomocí nabíječky baterií v dobře větrané místnosti mimo dosah dětí.

UPOZORNĚNÍ

Riziko poškození

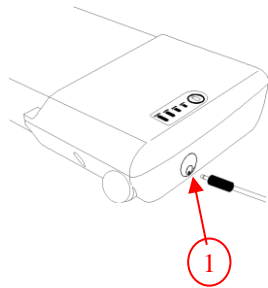
- Kapacita baterie se pomalu snižuje samovybíjením baterie a klidovým proudem připojených zařízení. Je-li baterie zcela vybita, může dojít k jejímu nevratnému poškození. Proto zajistěte, aby byla baterie včas nabita (viz 3.7).
- Přečtěte si pokyny ke skladování a údržbě v kapitole 4 a technické údaje v kapitole 7.
- Baterie nenabíjejte při teplotě nižší než 0 °C. Dejte baterii na teplejší místo a pak zahajte nabíjení.
- Přípojku pro nabíječku baterií chraňte před prachem a jinými nečistotami.
- V případě jakýchkoli problémů, když nelze baterii nabíjet podle následujících pokynů, se obraťte na specializovaného prodejce.

Veškeré informace o indikaci stavu baterie naleznete v odst. 3.7.

- i** Není-li nabíječka baterií používána, doporučujeme ji odpojit od elektrické sítě. Zabrání se tak zbytečné spotřebě elektřiny.

Před nabíjením vždy ověřte, že baterie není poškozená. Zapněte baterii stisknutím tlačítka ukazatele nabití na dobu 2 sekund. Nerozsvítí-li se žádná kontrolka ukazatele nabití, baterie může být poškozená. Svítí-li alespoň jedna, ale ne všechny kontrolky ukazatele nabití, před prvním použitím baterii plně nabijte.

Poškozenou baterii nenabíjejte ani nepoužívejte; obraťte se na specializovaného prodejce.



Před prvním použitím baterie ji zcela nabijte pomocí nabíječky, aby byla zajištěna její plná kapacita. Baterii lze dobíjet kdykoli, když je vložena ve vozíku nebo když je z vozíku vyjmuta.

Pokyny k nabíjení baterie:

1. Vypněte baterii.
2. Pokud chcete, vyjměte baterii z krytu. Zabraňte vniknutí nečistot či kapalin do nabíjecí zásuvky.
3. Zapojte zástrčku nabíječky do bateriového modulu ①.
4. Zapojte síťovou zástrčku nabíječky do elektrické zásuvky.
5. Kontrolka na nabíječce baterií bude ukazovat stav nabíjecího procesu:
 - Červená – Nabíjení
 - Zelená – Pohotovostní režim / plně nabitá
6. Jakmile je baterie plně nabitá, odpojte zástrčky nabíječky baterií od elektrické zásuvky a od baterie.

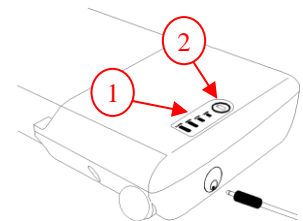
CS

3.7.1 Ukazatel nabití baterie

K dispozici jsou dva ukazatele nabití baterie:

Na bateriovém modulu:

1. Stiskněte tlačítko ② na bateriovém modulu.
2. Kontrolky na ukazateli nabití baterie ① ukážou úroveň nabití baterie.



Ovládací konzola:

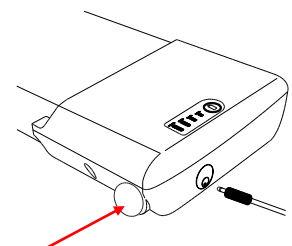
Po zapnutí elektrického systému bude ukazatel baterie (2, odst. 3.3) ukazovat úroveň nabití baterie.

- Všechny kontrolky svítí: baterie je plně nabitá.
- Svítí nebo bliká pouze červená kontrolka: baterii okamžitě dobijte.

Kvůli zapojení vodičů se mohou obě indikace trochu lišit. V takovém případě se řiďte indikací nejnižší úrovně nabití.

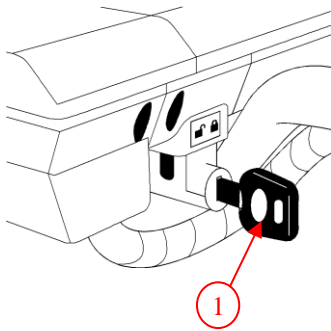
3.8 Zapnutí/vypnutí elektrického zařízení

Stiskněte vypínač na boku baterie.



3.9 Montáž/demontáž baterie

Baterii lze demontovat, aby ji bylo možné snadno dobít mimo vozík.



Odemkn



Zamknu

**Montáž baterie:**

1. Zasuňte klíč ① a otočte jím směrem k symbolu odemknutí.
2. Vložte baterii do prostoru pro baterii co možná nejdále. Baterii lze vložit pouze jedním způsobem.
3. Otočte klíčem ① k symbolu zamknutí.
4. Ověřte, že je baterie řádně zajištěna.
5. Vytáhněte klíč ①. (Klíč nikdy nevytahujte za jízdy.)

Demontáž baterie:

1. Zasuňte klíč ①.
2. Otočte klíčem ① k symbolu odemknutí.
3. Opatrně vytáhněte baterii z prostoru pro baterii.

4 Instalace a seřízení

Pokyny v této kapitole jsou určeny pro specializované prodejce.

Chcete-li najít servisní středisko či specializovaného prodejce ve svém okolí, kontaktujte nejbližší pobočku společnosti Vermeiren.

 **VAROVÁNÍ** Riziko zranění a poškození

- Používejte pouze nastavení uvedená v tomto návodu.

CS

4.1 Nástroje

Pro sestavení invalidního vozíku jsou potřeba tyto nástroje:

- Inbusový klíč č. 4
- Plochý klíč č. 10

4.2 Způsob dodání

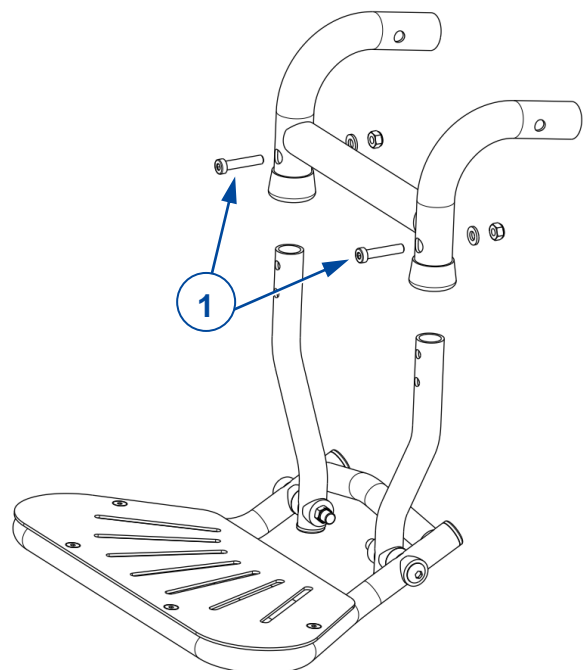
Balení výrobku Vermeiren Plego obsahuje:

- 1 rám s loketními opěrkami, zadní a přední kola, nožní opěrku
- Nástroje
- Návod
- Příslušenství (volitelné)

4.3 Seřízení nožní opěrky

Délku nožní opěrky lze nastavit do 2 poloh (rozsah 20 mm):

1. Odstraňte šrouby a matice (1).
2. Nastavte požadovanou délku nožní opěrky.
3. Znovu utáhněte šrouby a matice.



5 Údržba

5.1 Interval údržby/servisu



UPOZORNĚNÍ

Riziko zranění a poškození

Opravy a výměny smějí provádět pouze vyškolené osoby. Přitom je třeba používat pouze originální náhradní díly společnosti Vermeiren.

i Poslední stránka tohoto návodu obsahuje registrační formulář pro specializovaného prodejce, který zapíše každý servis.

Servisní intervaly závisejí na intenzitě a frekvenci používání. Domluvte si s prodejcem rozvrh kontrol/údržby/servisu/oprav.

Přečtěte si návod k obsluze používané nabíječky baterií, kde naleznete informace ohledně údržby/servisu.

Návod k údržbě naleznete na webových stránkách společnosti Vermeiren: www.vermeiren.com.

Před každým použitím

Zkontrolujte následující:

- Všechny díly: přítomné, nepoškozené a neopotřebené.
- Všechny díly: čisté, viz odst. 5.2.2.
- Kola, sedadlo, loketní opěrky, podnožky a opěrka hlavy (je-li použita): řádně upevněné.
- Stav baterie: v případě potřeby nabijte baterii, viz odst. 3.7.
- Ovládací konzola, baterie, napájecí modul, motory, nabíječka baterií, kontrolky a příslušné kabely: žádné poškození, jako jsou roztřepené, zlomené či odkryté vodiče.
- Stav kol/pneumatik, viz odst. 5.2.1.
- Stav součástí rámu: žádná deformace, nestabilita, zeslabení nebo uvolněné spoje.
- Sedadlo, opěradlo, područky, lýtkové opěrky a hlavová opěrka (pokud se používají): žádné nadměrné opotřebení (například promáčkliny, poškození nebo trhliny).

Ohledně oprav či výměny dílů se obraťte na specializovaného prodejce.

Každý měsíc

Je-li invalidní vozík delší dobu skladován, musíte nabíjet baterie každý měsíc. Během této doby je také možné nechat nabíječku baterií připojenou k baterii a k elektrické síti. Další informace naleznete v odst. 3.7.

Ročně nebo častěji

Alespoň jednou ročně nebo častěji tento invalidní vozík vezměte ke specializovanému prodejci kvůli kontrole a provedení servisu. Minimální četnost údržby závisí na používání, a proto by měla být společně dohodnuta se specializovaným prodejcem.

Při skladování

Zajistěte, aby byl invalidní vozík skladován v suchém prostředí, aby nedošlo k výskytu plísní nebo k poškození čalounění.

5.2 Pokyny pro údržbu/servis

5.2.1 Kola a pneumatiky

i Správná funkce brzd závisí na stavu pneumatik, který se může měnit kvůli opotřebením a znečištění (voda, olej, bláto atd.).

- Zajistěte, aby na kolech nebyly dráty, vlasy, písek a vlákna.
- Kontrolujte vzorek na pneumatikách. Je-li hloubka dezénu menší než 1 mm, musí být pneumatiky vyměněny. Obraťte se v této věci na specializovaného prodejce.

5.2.2 Čištění

UPOZORNĚNÍ

Riziko poškození vlhkostí

- Udržujte ovládací konzolu čistou a chraňte ji před vodou a deštěm.
- K čištění invalidního vozíku nikdy nepoužívejte hadici ani vysokotlaký čistič.

Všechny pevné části invalidního vozíku otřete vlhkým (nikoli mokrým) hadříkem. V případě potřeby použijte jemné mýdlo vhodné na laky a syntetické barvy. Čalounění lze vyčistit vlažnou vodou a jemným mýdlem. K čištění nepoužívejte abrazivní čisticí prostředky.

Větrací otvory nabíječky baterií udržujte čisté a bez nahromaděného prachu. V případě potřeby otřete prach a vyčistěte pouzdro nabíječky baterií mírně navlhčeným hadříkem.

5.2.3 Dezinfekce

UPOZORNĚNÍ

Riziko poškození

Dezinfekci mohou provádět pouze kvalifikované osoby. Poradte se se specializovaným prodejcem.

5.3 Řešení problémů

I když tento invalidní vozík používáte správně, může dojít k technickému problému. V takovém případě se obraťte na místního specializovaného prodejce.

**VAROVÁNÍ**

Riziko zranění a poškození invalidního vozíku

- NIKDY se nepokoušejte opravit invalidní vozík sami.
- V případě závad v ovládací konzole se musíte obrátit na specializovaného prodejce. Ten rozhodne, zda je potřeba ovládací konzolu přeprogramovat.

V případě selhání se na ovládací konzole zobrazí chybový kód, viz odst. 6.

Následující příznaky mohou znamenat vážný problém. Proto se obraťte na specializovaného prodejce vždy, když zaznamenáte některou z následujících odchylek:

- podivný zvuk;
- roztřepené/poškozené kabelové svazky;
- prasklé či rozbité konektory;
- nerovnoměrné opotřebení dezénu na jedné z pneumatik;
- trhavé pohyby;
- invalidní vozík se stáčí na jednu stranu;
- poškozená či rozbitá kola a jejich zavěšení;
- invalidní vozík se nezapíná (spálená pojistka);
- invalidní vozík je napájen, ale nehýbe se, viz 3.4.

5.4 Očekávaná životnost

Průměrná životnost tohoto invalidního vozíku je 5 let. V závislosti na četnosti použití, jízdních podmínkách a údržbě se životnost tohoto invalidního vozíku prodlouží nebo zkrátí.

5.5 Další použití výrobku

Před dalším použitím jinou osobou nechte vozík dezinfikovat, zkontrolovat a provést na něm servis podle pokynů v odst. 5.1 a odst. 5.2.

5.6 Likvidace výrobku

Po skončení životnosti musí být invalidní vozík zlikvidován podle místní legislativy pro životní prostředí. Nejlépe je invalidní vozík rozmontovat, aby se usnadnila přeprava recyklovatelných součástí.

6 Řešení problémů



VAROVÁNÍ

Nebezpečí zranění a poškození ovládací konzoly nebo invalidního vozíku

- NIKDY se nepokoušejte sami opravit ovládací konzolu.
- V případě závady na ovládací konzole musíte kontaktovat specializovaného prodejce. Ten rozhodne, jestli je nutné konzolu přeprogramovat.

V případě možného problému se blikáním kontrolky ukazatele stavu baterie zobrazí systémový kód, viz odst. 3.3 (2). Možné systémové kódy jsou uvedeny v následující tabulce. Některé problémy můžete vyřešit sami. V případě problémů označených šedě se vždy poraďte se specializovaným prodejcem.

CS

Tabulka 2: Řešení problémů

Kód	Problém	Význam
1	Vybitá baterie / špatné připojení baterie	Zkontrolujte připojení baterií. Pokud je připojení v pořádku, zkuste baterie nabít.
2	Špatné připojení levého motoru nebo kodéru	Zkontrolujte připojení levého motoru a kodéru.
3	Závada na kabeláži levého motoru / vypnutí motoru	
4	Špatné připojení pravého motoru nebo kodéru	Zkontrolujte připojení pravého motoru a kodéru.
5	Závada na kabeláži pravého motoru / vypnutí motoru	
7	Porucha joysticku	Před zapnutím ovladače se ujistěte, že je joystick ve středové poloze.
7 + S ¹	Chyba v komunikaci	Zkontrolujte, že je kabel modulu joysticku řádně připojený a že není poškozený.
8	Možná porucha ovladače	Zkontrolujte, že jsou v pořádku všechna připojení.
9	Špatné připojení parkovací brzdy	Zkontrolujte připojení parkovací brzdy a motoru. Zkontrolujte, že jsou v pořádku připojení ovladače.
10	Nadměrné napětí	Nadměrné napětí je obvykle způsobeno špatným připojením baterie. Zkontrolujte připojení baterie.

¹ S = blikající kontrolky ukazatele rychlosti.

7 Technické údaje

Technické údaje uvedené níže platí pouze pro tento invalidní vozík při standardním nastavení a optimálních okolních podmínkách. Během používání berete tyto údaje v úvahu. Pokud byl tento invalidní vozík upraven, poškozen nebo došlo k jeho velkému opotřebení, nebudou tyto hodnoty platné. Berete v potaz, že jízdní výkon je ovlivněn okolní teplotou, vlhkostí, svahy (jízdou nahoru/dolů), typem povrchu a stavem baterie.

Tabulka 1: Technické údaje

Značka	Vermeiren
Typ	Elektrický invalidní vozík, třída A
Model	Plego
Maximální hmotnost uživatele	130 kg

Popis	Rozměry
Celková délka s nožní opěrkou	1000 mm
Celková šířka	595 mm
Celková výška	980 mm
Délka při složení	450 mm
Šířka při složení	595 mm
Výška při složení	980 mm
Celková hmotnost	24,5 kg
Spotřeba energie*	12,8 Ah: 15 km 17,5 Ah: 21 km
Jmenovitý svah	10°
Překonání překážky	15 mm
Maximální rychlost vpřed	6 km/h
Max. brzdná dráha z max. rychlosti	1 m
Úhel roviny sedadla	5°
Efektivní hloubka sedadla	430 mm
Efektivní šířka sedadla	450 mm
Výška plochy sedadla u předního okraje	530 mm
Úhel opěradla	5°
Výška opěradla	460 mm
Vzdálenost nožní opěrky od sedadla	440–460 mm
Úhel nohou k ploše sedadla	81°
Vzdálenost loketní opěrky od sedadla	195 mm
Přední poloha konstrukce loketní opěrky	404 mm
Minimální poloměr otáčení	1145 mm
Světlná výška	65 mm
Průměr zadních kol	12"
Typ zadních kol **	PU pneumatiky
Průměr předních kol	200 x 50
Typ předních kol **	PU pneumatiky



Značka	Vermeiren
Typ	Elektrický invalidní vozík, třída A
Model	Plego
Maximální hmotnost uživatele	130 kg

Popis elektrické výbavy	
Baterie	12,8 Ah 17,5 Ah
Hnací motory	2 x 250 W
Pojistka	20 A
Zkoušky pevnosti podle normy	ISO 7176-8
Zkoušky napájecího a řídicího systému podle normy	ISO 7176-14
Vznětlivost čalounění podle normy	EN1021-2:2006
Elektromagnetická kompatibilita	ISO 7176-21
Stupeň krytí	IPX4
Úroveň hluku	< 65 dB (A)
Teplota pro skladování a používání	+5 °C až +41 °C
Provozní teplota pro elektroniku	-10 °C až +40 °C
Vlhkost pro skladování a používání	30 % až 70 %

Vyhrazujeme si právo provést technické změny. Tolerance měření ± 15 mm / 1,5 kg / 1,5°.

*** Teoretický dojezd se sníží při časté jízdě ve svahu, na hrubém povrchu nebo při překonávání obrubníků.**

**** Vzhledem k tomu, že lze použít různé pneumatiky, vždy se informujte o správném provozním tlaku používaných pneumatik. Ohledně jiných průměrů pneumatik se obraťte na specializovaného prodejce.**



**Service registration form**

This product (name):

was inspected (I), serviced (S), repaired (R) or disinfected (D):

By (stamp): Kind of work: I / S / R / D Date:	By (stamp): Kind of work: I / S / R / D Date:	By (stamp): Kind of work: I / S / R / D Date:
By (stamp): Kind of work: I / S / R / D Date:	By (stamp): Kind of work: I / S / R / D Date:	By (stamp): Kind of work: I / S / R / D Date:
By (stamp): Kind of work: I / S / R / D Date:	By (stamp): Kind of work: I / S / R / D Date:	By (stamp): Kind of work: I / S / R / D Date:
By (stamp): Kind of work: I / S / R / D Date:	By (stamp): Kind of work: I / S / R / D Date:	By (stamp): Kind of work: I / S / R / D Date:
By (stamp): Kind of work: I / S / R / D Date:	By (stamp): Kind of work: I / S / R / D Date:	By (stamp): Kind of work: I / S / R / D Date:



Vermeiren GROUP
Vermeirenplein 1 / 15
2920 Kalmthout
BE

website: www.vermeiren.com