

User manual

MANUEL D'UTILISATION
GEBRUIKSAANWIJZING
GEBRAUCHSANWEISUNG
MANUALE DI ISTRUZIONI
MANUAL DE INSTRUCCIONES
INSTRUKCJA OBSŁUGI
NÁVOD K OBSLUZE

Jazz S50



EN

Instructions for specialist dealer

This instruction manual is part and parcel of the product and must accompany every product sold.

Version: J, 2022-03

FR

Instructions pour les distributeurs

Ce manuel d'instructions fait partie du produit et doit accompagner chaque produit vendu.

Version : J, 2022-03

NL

Instructies voor de vakhandelaar

Deze handleiding is deel van het product en dient bij iedere product te worden geleverd.

Versie: J, 2022-03

DE

Hinweise für den Fachhändler

Diese Gebrauchsanweisung ist Bestand-teil des Produkts und ist bei jeder Produkts auszuhändigen.

Version: J, 2022-03

IT

Istruzioni per il rivenditore

Il presente Manuale di istruzioni è parte integrante del prodotto e deve essere fornito assieme alla prodotto.

Versione: J, 2022-03

ES

Instrucciones destinadas a los distribuidores especializados

El presente manual de instrucciones es parte integrante del producto y se debe adjuntar a todas las producto que se vendan.

Versión: J, 2022-03

PL

Instrukcje dla wyspecjalizowanego sprzedawcy

Niniejsza instrukcja obsługi jest nieodłączną częścią produktu i musi być dołączona do każdego sprzedawanego produktu.

Wersja: K, 2022-03

CS

Pokyny pro specializovaného prodejce

Tento návod k obsluze je součástí dodávky a musí být součástí každého prodaného produktu.

Verze: J, 2022-03

All rights reserved, including translation.

Tous droits réservés, y compris la traduction.

Alle rechten, inclusief vertaling, voorbehouden.

Alle Rechte, auch an der Übersetzung, vorbehalten.

Tutti i diritti riservati (anche sulla traduzione).

Todos los derechos reservados, incluidos los de la traducción.

Wszelkie prawa zastrzeżone, łącznie z tłumaczeniem.

Všechna práva vyhrazena, včetně překladu.



English

Français

Nederlands

Deutsch

Italiano

Español

Polski

Czech

User manual

Manuel d'utilisation

Gebruiksaanwijzing

Bedienungshandbuch

Manuale di istruzioni

Manual de instrucciones

Instrukcja obsługi

Návod k obsluze

This page is intentionally left blank



Contents

Contents	1
Preface	2
1 Your product	3
1.1 Accessories.....	3
2 Before use	4
2.1 Intended use.....	4
2.2 Explanation of symbols.....	4
2.3 General safety instructions.....	4
2.4 Transport.....	5
2.5 Folding/Unfolding the wheelchair.....	7
2.6 Mounting/Taking off the rear wheels (if available).....	7
2.7 Storage.....	7
3 Using your wheelchair	8
3.1 Mounting or removing of the footrests.....	8
3.2 Operating the brakes.....	8
3.3 Mounting or removing the armrests.....	8
3.4 Transfer in and out the wheelchair.....	10
3.5 Riding the wheelchair.....	10
4 Installation and adjustment	11
4.1 Tools.....	11
4.2 Manner of delivery.....	11
4.3 Adjusting the footrests.....	11
4.4 Adjust the brakes.....	12
4.5 Pneumatic tyre changing.....	12
5 Maintenance	14
5.1 Points of maintenance.....	14
5.2 Maintenance instructions.....	14
5.3 Troubleshooting.....	15
5.4 Expected lifespan.....	15
5.5 Reuse.....	15
5.6 End of use.....	15
6 Technical specifications	16

Preface

Congratulations! You are now owner of a Vermeiren wheelchair!

This wheelchair is made by qualified and committed personnel. It is designed and produced according to high quality standards, guarded by Vermeiren.

Please read this manual carefully; it will help you to get familiar with the operation, capabilities and limitations of your wheelchair. If you still have questions after reading this manual, do not hesitate to contact your specialist dealer. He/she will be glad to help you.

Important note

To ensure your safety, and to prolong the lifetime of your product, please take good care of it and have it checked and serviced on a regular basis.

This manual reflects the latest product developments. Vermeiren has the right to implement changes to this type of product without any obligation to adapt or replace similar products previously delivered.

Pictures are used to clarify the instructions in this manual. Details of the depicted product may deviate from your product.

Information available

On our website <http://www.vermeiren.com/> you will always find the most recent version of the information in this manual. Please consult this website regularly for possible updates.

Visually impaired people can download the electronic version of this manual and have it read out by means of a text-to-speech software application.



User manual

For user and specialist dealer



Installation instructions

For specialist dealer



Service manual for wheelchairs

For specialist dealer



EC declaration of conformity

1 Your product



1. Cross
2. Handgrips
3. Backrests
4. Arm pads
5. Armrests
6. Driving wheels (rear wheels)
7. Hand rims
8. Brakes
9. Tip cap
10. Steering wheels (front wheels)
11. Footrests
12. Footplates
13. Seat
14. Location identification plate

1.1 Accessories

The following accessories are available for the Jazz S50:

- Travel wheels (B86)
- Armrests (B05)

Contact your specialist dealer about other accessories. He will gladly advise you.

2 Before use

2.1 Intended use

In this paragraph a brief description of the intended use of your wheelchair is given. Additionally, relevant warnings are added to the instructions in the other paragraphs. In this way we would like to make you aware of the possible misuse that may appear.

- Indications and contraindications: The user can propel the wheelchair by himself or have the wheelchair pushed by an attendant. The wheelchair is intended for people with walking difficulties or no walking abilities. The different types of fittings and accessories, and the modular construction allow full use by aged persons and persons disabled by paralysis, loss of limbs (leg amputation), limb defects or deformations, stiff or damaged joints, heart insufficiencies and poor blood circulation, balance disturbances, cachexia (decrease in muscle).
- The wheelchair is suited for indoor and outdoor use.
- The wheelchair is designed to transport one (1) person with a maximum weight of 130 kg. It is not designed for transportation of goods or objects, nor for any use other than previously described.
- Only use accessories and spare parts approved by Vermeiren.
- Please read all technical details and limits of your wheelchair in chapter 6.
- The warranty of this product is based on normal use and maintenance as described in this manual. Damage to your product caused by improper use or lack of maintenance will cause the warranty to lapse.

2.2 Explanation of symbols



Maximum weight of the user in kg



Indoor/outdoor use



Maximum safe slope in ° (degrees).



Type designation

2.3 General safety instructions

- Do not use your wheelchair if you are under influence of alcohol, medicines or other substances that may influence your riding abilities.
- Be aware that some parts of your wheelchair may get very hot or cold due to ambient temperature, solar radiation or heating devices. Be careful when touching. Wear protective clothing if the weather is cold. When going outdoors, riding gloves can be used to improve the grip on the hand rims.
- Do not modify your wheelchair in any way.
- To prevent injury and/or damage to your wheelchair, make sure that no objects and/or body parts are caught in the spokes of the driving wheels.

Be aware that your wheelchair may interfere with some types of anti-theft systems, depending on the settings used. This may cause the shop's alarm to go off.

In case a serious incident has occurred involving your product, notify Vermeiren or your specialist dealer as well as the competent authority in your country.

2.4 Transport

2.4.1 Moving out of the way

The best way to move the wheelchair is to make use of the wheels and roll the wheelchair.

If this is not possible (e.g. when the rear wheels are taken off for transportation in a car), firmly grasp the frame on the front and the handgrips. Do not use the foot- or armrests or the wheels to grasp the wheelchair.

2.4.2 Transport by vehicle, as luggage

 **WARNING** Risk of injury

- Make sure that the wheelchair is properly secured to avoid injury to the passengers during collision or sudden braking.
 - NEVER use the same seatbelt to attach the wheelchair and passenger.
1. Fold the wheelchair to its most compact size according to the instructions in § 2.5.
 2. Store the wheelchair and its wheels in the luggage compartment or behind the passenger seat. If luggage and passenger compartments are NOT separated or enclosed, fasten the wheelchair frame securely to the vehicle.

2.4.3 Transport by vehicle, as seat for user

 **WARNING** Risk of injuries or damage

- The wheelchair has passed the crash of ISO 7176-19: 2008 and, as such, has been designed and tested for use only as forward-facing seat in a motor vehicle.
- The wheelchair's pelvic belt alone is not suited as an occupant restraint belt.

The wheelchair is tested using the four-point strap-tie system and a 3-point occupant-restraint system. Whenever feasible, use the seat of the vehicle and store the wheelchair in the cargo area.

Steps to secure the wheelchair in a motor vehicle:

1. Check that the vehicle is equipped with a suitable wheelchair tie down and occupant-restraint system, conform ISO 10542.
2. Check that the components of the wheelchair tie down and occupant restraint system are not frayed, contaminated, damaged or broken.
3. If equipped with an adjustable seat and/or back tilt, make sure that the wheelchair user is sitting as upright as possible. If the user's condition prevents this, a risk assessment should be done to evaluate the user's safety during transit.
4. Remove all mounted accessories such as trays and respiratory equipment, and secure them in a safe place.
5. Position the wheelchair facing forward in the travelling direction, centrally between the tie-down rails mounted in the floor of the vehicle.
6. Mount the front securement straps according to the instructions of the strap-system manufacturer at the indicated place (figure 1). This place is marked on the wheelchair with a symbol (figure 2).
7. Roll back the wheelchair until the front straps are tight.
8. Apply the wheelchair brake.
9. Mount the back securement straps according to the instructions of the strap-system manufacturer at the indicated place (figure 1). This place is marked on the wheelchair with a symbol (figure 2).

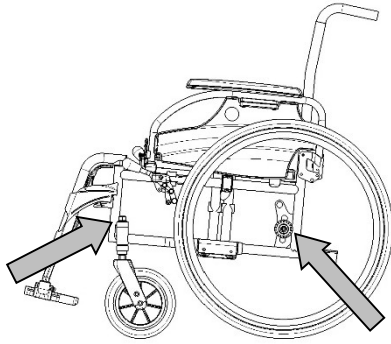


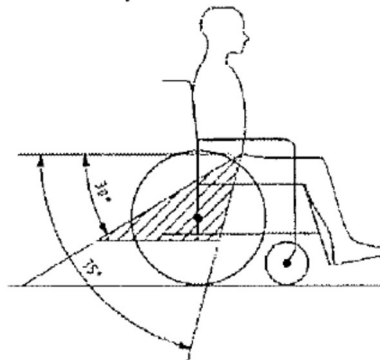
Figure 1



Figure 2

Steps to secure the wheelchair user:

1. Remove both arm rests.
2. If present, attach the wheelchair's pelvic belt.
3. Attach the occupant restraint belts according to the instructions of the strap-system manufacturer.
4. Wear the pelvic belt low across the front of the pelvis, so that the angle of the pelvic belt is within the preferred zone of 30° to 75° to the horizontal, similar to that shown below.



5. A steeper (greater) angle within the preferred zone is desirable.
6. Adjust the belt tightly according to the instructions of the strap-system manufacturer, consistent with the user's comfort.
7. Ensure that the restraint belt connects in a straight line to the anchor point in the vehicle and that no bends in the belt are visible, for instance at the axle of the rear wheel.
8. Install the arm rests, if desired. make sure that belts are not twisted or held away from the body by wheelchair components such as arm rests or wheels.

RESTRAINTS SHOULD NOT BE HELD AWAY FROM BODY BY WHEELCHAIR COMPONENTS SUCH AS ARMRESTS OR WHEELS



PELVIC RESTRAINTS SHOULD MAKE FULL CONTACT ACROSS THE FRONT OF THE BODY NEAR THE JUNCTION OF THE THIGH AND PELVIS



2.5 Folding/Unfolding the wheelchair



Chance of pinching – Do not place fingers between the components of the wheelchair.

To fold:

1. Fold or remove the footplates (see § 3.1).
2. Take the seat on the front side and backside and pull it up.
3. Push the handgrips to fold up the wheelchair further.

To unfold:

1. Position yourself behind the wheelchair.
2. Use the handgrips to open the wheelchair as much as possible.
3. Position yourself at the front of the wheelchair.
4. Push both seating tubes down until they are fixed in position.

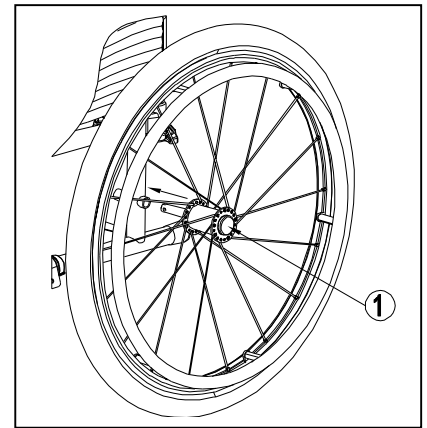
2.6 Mounting/Taking off the rear wheels (if available)

To remove the rear wheels

1. Press and hold button (1) while sliding the wheel axle out of the hole of the frame.
2. Repeat this for the other wheel and place the wheelchair gently on the rear frame tubes.

To install the rear wheels

1. Take one of the rear wheels and lift the wheelchair on one side.
2. Press and hold button (1) while sliding the wheel into the axle bushy.
3. Release the button to lock the wheel. Make sure it clicks into place.
4. Repeat this for the other wheel.
5. Ensure that both wheels are firmly secured.



2.7 Storage

- i** Make sure that your wheelchair is stored in a dry environment to prevent mould from growing and the upholstery from being damaged, see also chapter 6.

3 Using your wheelchair



CAUTION

Risk of injuries and/or damage

- First read previous chapters and inform yourself about the intended use. Do NOT use your wheelchair unless you have read and fully understood all instructions.
- In case of doubts or questions, do not hesitate to contact your local specialist dealer, your care provider or technical adviser to help you with this.
- Make sure that your hands, clothes, belts, buckles or jewellery don't get caught by wheels or other moving parts, during use or adjustment.

3.1 Mounting or removing of the footrests



CAUTION

Risk of injury

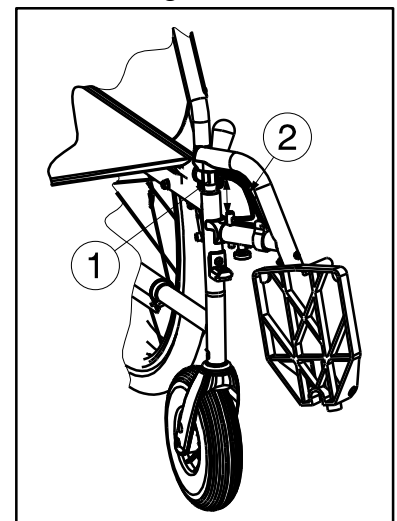
- Check that the footrests are securely locked in place before use.
- Keep objects away from the footrests swing range while mounting or removing the footrests.

The mounting of the footrests is done as follows:

1. Hold the footrest sideways at the outside of the wheelchair frame and mount the tube hood (1) into the frame.
2. Swing the footrest inwards until it clicks in position.
3. Swing the footplate downwards.

To take off the footrests:

1. Pull lever (2).
2. Swing the footrest to the outside of the wheelchair until it comes loose from the guidance.
3. Pull the footrest from tube hood (1).



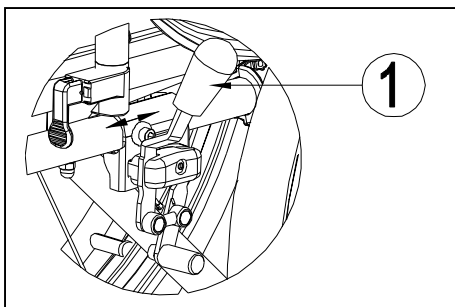
3.2 Operating the brakes



WARNING

Risk of injury

- The brakes are not used to slow down the wheelchair during movements. Use the brake only to prevent the wheelchair from unintended movements.
- Good operation of the brakes is influenced by wear and contamination of the tires (water, oil, mud, ...). Check the condition of the tires before each use.
- The brakes are adjustable and can wear. Check the operation of the brakes before each use.
- Make sure the wheelchair is on a flat horizontal surface before releasing the brakes. Never release both brakes simultaneously.



To apply the brakes:

1. Push the brake lever (1) forward until you feel a distinctive click.

To release the brakes:

1. Release one brake by pulling the lever (1) backwards.
2. Hold the hand rim of the released wheel with your hand.
3. Release the second brake by pulling the lever backwards.

3.3 Mounting or removing the armrests

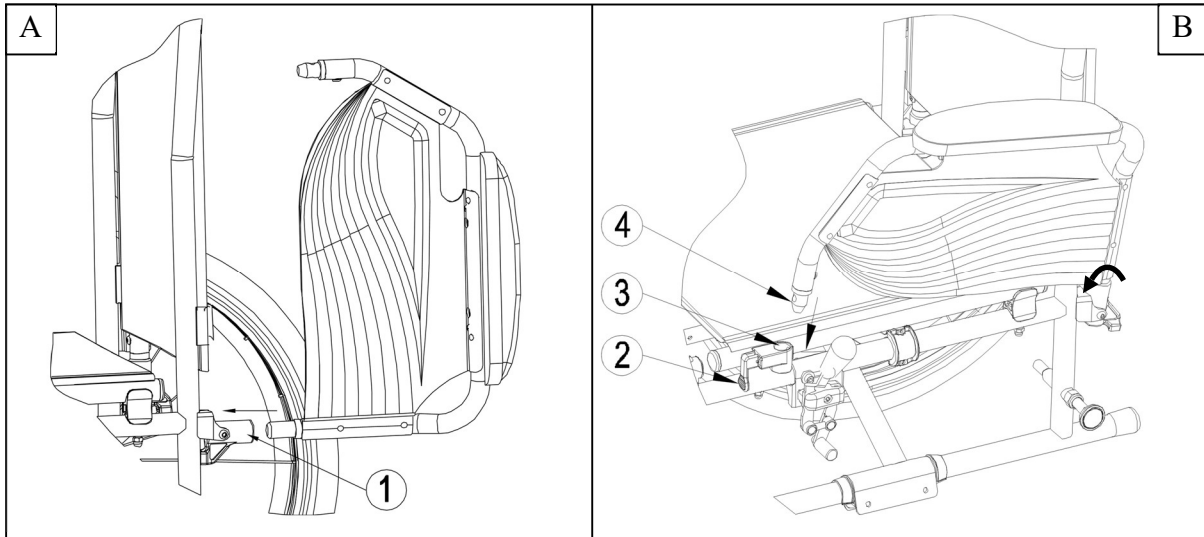


WARNING

Risk of injury

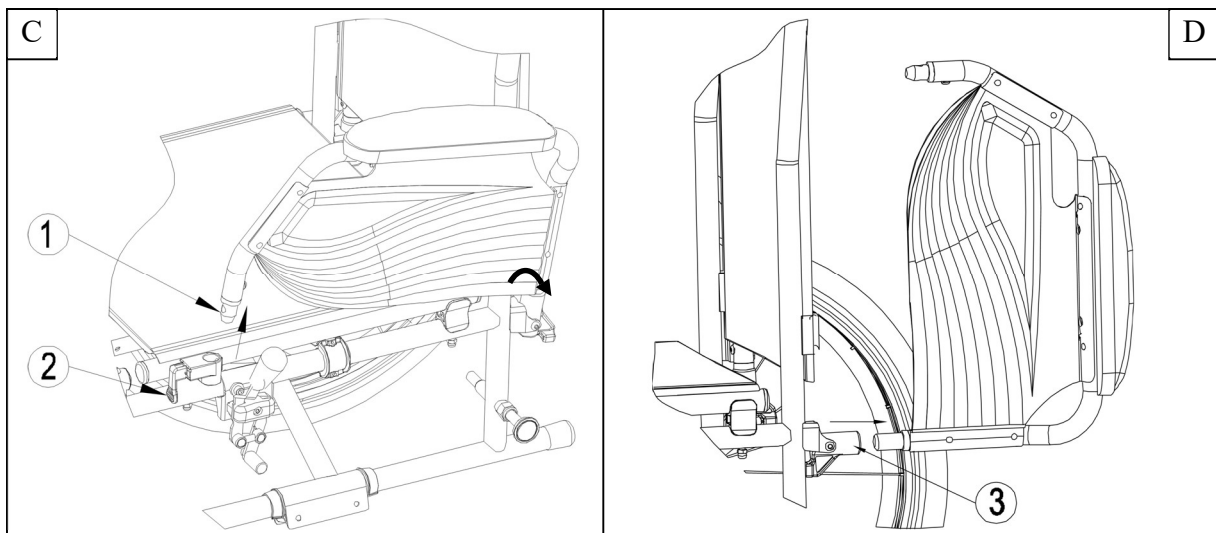
- Check that the armrests are securely locked in place before use.
- Keep fingers and clothes away from the bottom side of the armrest.

1. Mount the rear tube of the armrest in tube hood (1) (*Fig A*).
2. Make sure the armrest is mounted very well.
3. Fold the armrest forward.
4. Pull the lever (2) on tube hood (3) upwards (*Fig B*).
5. Click the front tube of the armrest (4) in tube hood (3) (*Fig B*).



To open and remove the armrest:

1. Pull lever (2) and pull the front of the armrest (1) upwards (*Fig C*).
2. Fold the armrest backwards.
3. To remove the armrest, pull the rear of the armrest from tube hood (3) (*Fig D*).



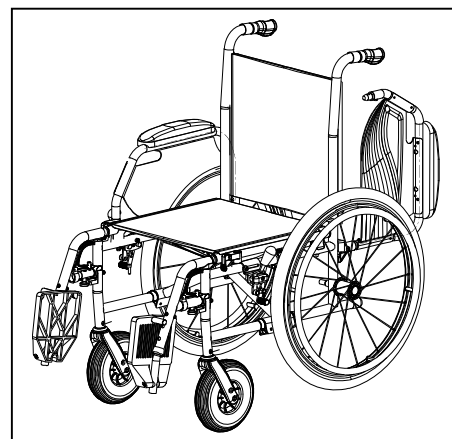
3.4 Transfer in and out the wheelchair



WARNING

Risk of injury and/or damage

- In case you cannot perform the transfer in a safe manner, ask someone to assist you.
 - Do not stand on the footplates.
1. Position the wheelchair as close as possible to the chair, couch or bed to/from you wish to transfer.
 2. Check both brakes from the wheelchair are in the on position.
 3. Fold the footplates upwards to prevent standing on them.
 4. If the transfer is on the side of the wheelchair, fold the armrest on that side upwards (see § 3.3).
 5. Transfer to/from the wheelchair.



3.4.1 Correct position in the wheelchair

Some recommendations for a comfortable use of the wheelchair:

- Position your backside as close as possible to the backrest.
- Make sure your upper legs are horizontal. If needed, adjust the length of the footrests (see § 4.3).

3.5 Riding the wheelchair



CAUTION

Risk of injuries and damage

- Before every usage, make sure that:
 - parking brakes are working properly.
 - tires are in good condition, see §5.
- Prevent your fingers from being caught by the wheel spokes.
- Do not operate the hand rims with wet hands.
- Prevent entrapment of your hands on the hand rims when you pass small passages.
- Do NOT drive on slopes, obstacles, steps or kerbs larger than specified in §6.
- When you stop on a (small) slope, use your brakes.
- Make sure all four wheels touch the ground while riding up or down a slope.
- Take slopes as slow as possible.
- Always stay on the pavement when riding on public roads.
- Pay attention if the road has holes or gaps that may cause entrapment of the wheels.
- Avoid stones and other objects that may block the wheels.
- Make sure that the footplates do not touch ground while taking an obstacle.
- Do not use your wheelchair on an escalator.
- If available, wear your safety belt.
- Always keep the swing range of the footplate in mind to prevent bystanders from being injured or objects from being damaged.
- If you don't have enough experience riding your wheelchair, ask assistance of an attendant. Keep your arms away from the wheels and keep your feet on the footplate.
- Stairs should always be negotiated with the help of two attendants.
- Never try to use stairs that are not appropriate for wheelchairs.

3.5.1 Riding your wheelchair:

1. Release the brakes.
2. Take both hand rims at their highest position.
3. Lean forward and push the hand rims forward until your arms are straight.
4. Move your hands back to the top of the hand rims and repeat the movement.

4 Installation and adjustment

The instructions in this chapter are for the specialist dealer.

The Vermeiren Jazz S50 has been designed as wheelchair with a minimum of adjustments. There is no need for extra stock of spare parts.

To find a service facility or specialist dealer near you, contact the nearest Vermeiren facility.

 **WARNING** Risk of injuries and damage

- Use only the settings described in this manual.
- Variation of allowed adjustments can still change the stability of your wheelchair (tilt back or sideways).

4.1 Tools

To set up the wheelchair the following tools are needed.


- Wrench set n° 7 to n° 22
- Allen key set n° 3 to n° 8
- Screwdriver Phillips head

4.2 Manner of delivery

The Vermeiren Jazz S50 shall be delivered with:

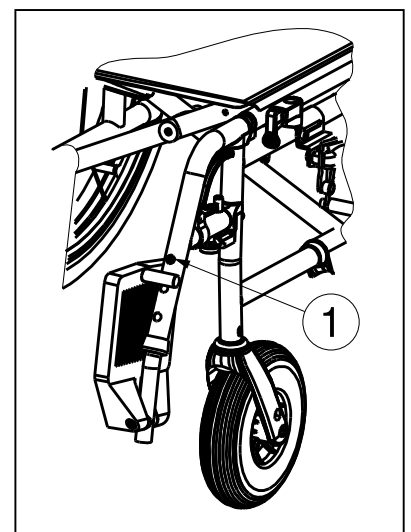
- 1 frame with armrests, rear and front wheels (seat height of 500 mm)
- 1 pair footrests
- Tools
- Manual
- Accessories (optional)
- Tyre pump

4.3 Adjusting the footrests

 **CAUTION** Risk of damage – Avoid that the footrests make any contact with the ground. Keep a minimum distance from 60 mm above the ground.

Adjust the length of the footrests as follow:

1. Remove the screw (1).
2. Adjust the length of the footrest to a comfortable length.
3. Tighten the screw (1) properly.



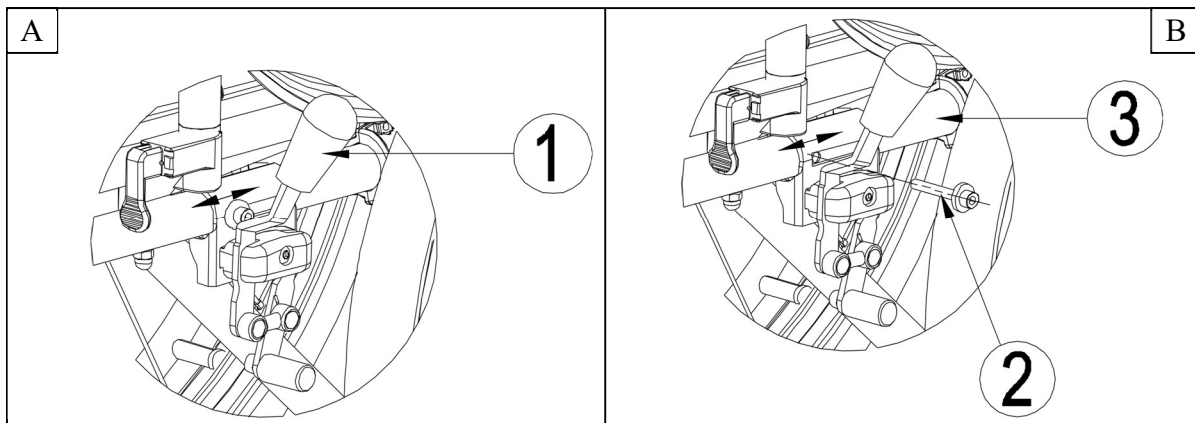
4.4 Adjust the brakes



WARNING

Risk of injury – Brakes may only be adjusted by your specialist dealer.

1. Install the wheels according to § 2.6.
2. Disconnect the brakes by pulling lever (1) backwards (*Fig A*).
3. Loosen bolt (2) so the brake mechanism can slide over the frame (3) (*Fig B*).
4. Pull the brake mechanism over the frame (3) to the desired position (*Fig B*). The adjustment of the brakes shall be in the range of the marked dashes (4) on the brake mechanism.
5. Retighten the bolt (2) (*Fig B*).
6. Check working of the brakes.
7. If necessary repeat the above steps until the brakes are adjusted well.



4.5 Pneumatic tyre changing



CAUTION

Risk of injury and/or damage

- If handled improperly, the rim might be damaged. Rather let an expert perform these activities.
- When mounting a tyre, make sure no objects or body parts are pinched between the tyre and the rim.
- When inflating the tyres, always check that the pressure is correct. The correct pressure is given on the tyre walls.
- Use only inflating equipment which complies with regulations and indicates the pressure in bar, or use the supplied air pump. We do not accept any liability for damage caused by inflating equipment not supplied by the manufacturer.



- Always make sure that the wheels are sufficiently inflated, since it could affect the driving behaviour.
- We do not accept any liability for wheels not supplied by the manufacturer.
- Only an expert can guarantee correct assembly. Work not done by your specialist dealer, would void the warranty of claims.

If you want to change the tyres or inner tubes, you should note the following:

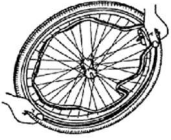
1. Let all the air out of the inner tube.
2. Insert a tyre lever between the tyre and the rim.
3. Slowly and gently push the tyre lever downwards. This will pull the tyre over the edge of the rim.
4. Then move the lever along the rim, the tyre will jump out.
5. Now carefully remove the tyre from the rim and then remove the tube.

Before replacing the tyre, check the rim bed and the inside wall of the tyre for foreign matter and clean these properly if necessary. Check the condition of the rim bed, especially around the position of the air valve.

Please use only genuine original replacement parts. We do not accept any liability for damage caused by non-genuine parts. Kindly contact your specialist dealer.



Place the rim belt in position over the air valve before inserting it into the rim. Then the rim belt can be pulled over easily. Check that all spoke heads are covered (a rim belt is not required in the case of a plastic rim).



Push the tyre over the edge of the rim, starting behind the air valve. Inflate the tube slightly until it is round, and place it inside the tyre.



If the tube fits snugly inside the tyre without any folds (in the case of folds: let out some air), then the upper side of the tyre can be pressed lightly onto the rim with both hands, starting at the air valve.

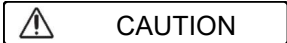
Check all around on both sides that the tube is not pinched between the rim and the edge of the tyre. Lightly push the air valve inwards and pull it out again to make sure that the tyre is positioned properly in the region of the air valve.

To ensure that the wheel inflated correctly, admit only so much air initially that the tyre can still be easily pushed inwards by using your thumbs. If the check-lines are equidistant from the edge of the rim on both sides of the tyre, then the tyre is centred properly. If not - let out the air and position the tyre afresh.

Now the tyre can be inflated to its full operating pressure (note the maximum!!) and the valve cap should be replaced.

5 Maintenance

5.1 Points of maintenance



Risk of injuries and damage

Repairs and replacements may only be undertaken by trained persons and only genuine replacement parts of Vermeiren should be used.

i The service frequency depends on the frequency and intensity of use. Contact your dealer to agree to a common timetable for inspection/maintenance/repair.

Before each use

Inspect the following points:

- All parts: Present and undamaged or unworn.
- All parts: Clean, see § 5.2.2.
- Wheels, backrest, seat, calf rests, arm rests, footplate: Well secured.
- Condition of wheels/tyres, see § 5.2.1;
- Condition of frame parts: No deformation, instability, weakness or loose connections
- Seat, backrest, arm pads, calf pads and head rest (if applied): No excessive wear (like dented spots, damage or tears).
- Brakes: Undamaged and functioning

Contact your specialist dealer for possible repairs or part replacements.

Yearly or more often

Have your wheelchair inspected and serviced by your specialist dealer, at least once a year, or more often. The minimum maintenance frequency depends on use and should therefore be commonly agreed on with your specialist dealer.

5.2 Maintenance instructions

5.2.1 Wheels and tyres

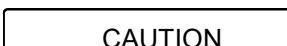
i Proper working of the brakes depends on the state of the tyres, and can change due to wear and contamination (water, oil, mud, ...).

Keep your wheels free of wires, hair, sand and fibres.

Check the profile of the tyres. If the tread depth is less than 1 mm, the tyres need to be replaced. Contact your specialist dealer for this matter.

Inflate each pneumatic tyre to the correct pressure (see pressure indication on the tyres).

5.2.2 Cleaning



Risk of damage by moisture

- Never use a hose or high-pressure cleaner to clean the wheelchair.

Wipe all rigid parts of the wheelchair with a damp cloth (not drenched). If necessary, use a mild soap, suitable for varnishes and synthetics.

The upholstery can be cleaned with lukewarm water and a mild soap. Do not use abrasive cleaning agents to clean.

5.2.3 Disinfection

CAUTION

Risk of damage

- Disinfections may only be undertaken by trained persons. Consult your specialist dealer.

5.3 Troubleshooting

Even if you use your wheelchair properly, a technical problem may occur. If this is the case, contact your local specialist dealer.



WARNING

Risk of injuries and damage to the wheelchair

- NEVER attempt to repair the wheelchair yourself.

The following symptoms may indicate a serious problem. Therefore always contact your specialist dealer if you spot any of the following deviations:

- Strange sound;
- Uneven tread wear on one of the tyres;
- Jerky movements;
- Wheelchair deflects to one side;
- Damaged or broken wheel assemblies.

5.4 Expected lifespan

The average lifespan of your wheelchair is 5 years. Depending on the frequency of use, driving circumstances and maintenance, the lifespan of your wheelchair will increase or decrease.

5.5 Reuse

Before each reuse, have the wheelchair disinfected, inspected and serviced according to the instructions in §5.1 and §5.2.

5.6 End of use

At end of life, you need to dispose your wheelchair according to the local environmental legislation. The best way to do so, is to disassemble the wheelchair to facilitate the transport of recyclable parts.

6 Technical specifications

The technical details below are only valid for this wheelchair, at standard settings and optimal ambient conditions. Take these details into account during use. The values are no longer applicable if your wheelchair has been modified, damaged or suffers from severe wear.

Table 1: Technical specifications

Make	Vermeiren
Type	Manual wheelchair
Model	Jazz S50

Description	Specifications
Maximum occupant mass	130 kg
Overall length with footrest	1120 mm
Effective seat width	390 mm 420 mm 440 mm 460 mm 480 mm 500 mm
Overall width (depends on the seat width)	565 mm 595 mm 615 mm 635 mm 655 mm 675 mm
Folded length without footrest	825 mm
Folded width	290 mm
Folded height	935 mm
Total mass	16,60 kg
Mass of heaviest part	8,05 kg
Masses of parts that can be dismantled or removed	Footrests: 1,80 kg; Armrests: 1,80 kg; Rear wheels: 4,95 kg
Static stability downhill	15°
Static stability uphill	10°
Static stability sideways	15°
Effective seat depth	450 mm
Seat surface height at front edge	500 mm
Seat angle	5°
Backrest height	420 mm
Backrest angle	0°
Distance between footrest and seat	370 – 440 mm
Angle between seat and footrest	7°
Distance between armrest and seat	220 mm
Front location of armrest structure	310 mm
Hand rim diameter	535 mm
Horizontal location of axle (deflection)	10 mm
Minimum turning diameter	1190 mm
Diameter Rear wheels	24" (optional 12")



Tyre pressure, rear (driving) wheels	Max. 3.5 bar
Diameter Steering wheels	200 mm
Tyre pressure, front (steering) wheels	Max. 2.5 bar
Storage and use temperature	+ 5 °C - + 41 °C
Storage and use humidity	30% - 70%
We reserve the right to introduce technical changes. Measurement tolerance ± 15 mm / 1,5 kg / 1,5°	

Table des matières

Table des matières	1
Préface	2
1 Votre produit	3
1.1 Accessoires.....	3
2 Avant l'utilisation	4
2.1 Utilisation prévue.....	4
2.2 Explication des symboles.....	4
2.3 Instructions générales de sécurité.....	4
2.4 Transport.....	5
2.5 Pliage/Dépliage du fauteuil roulant.....	7
2.6 Montage/Retrait des roues arrière (s'il y en a).....	7
2.7 Entreposage.....	7
3 Utilisation	8
3.1 Placer ou enlever les repose-pieds.....	8
3.2 Utilisation des freins.....	8
3.3 Montage ou retrait des accoudoirs.....	9
3.4 Transfert dans et hors du fauteuil roulant.....	10
3.5 Déplacements avec le fauteuil roulant.....	10
4 Installation et réglage	12
4.1 Outils.....	12
4.2 Mode de livraison.....	12
4.3 Réglage des repose-pieds.....	12
4.4 Réglages des freins.....	13
4.5 Changement des pneus à air.....	13
5 Entretien	15
5.1 Points d'entretien.....	15
5.2 Instructions d'entretien.....	15
5.3 Résolution des problèmes.....	16
5.4 Durée de vie attendue.....	16
5.5 Réutilisation.....	16
5.6 Mise au rebut.....	16
6 Spécifications techniques	17

Préface

Félicitations ! Vous êtes à présent l'heureux propriétaire d'un fauteuil roulant Vermeiren !

Ce fauteuil roulant a été fabriqué par un personnel qualifié et responsable. Il est conçu et produit conformément aux normes de qualité élevées, appliquées par Vermeiren.

Veuillez lire attentivement ce manuel. Vous pourrez ainsi vous familiariser avec le fonctionnement, les capacités et les limites de votre fauteuil roulant. Si vous avez encore des questions après la lecture de ce manuel, n'hésitez pas à prendre contact avec votre commerçant spécialisé. Il vous aidera volontiers.

Remarque importante

Pour assurer votre sécurité et prolonger la durée de vie de votre produit, prenez-en grand soin et faites-le contrôler ou entretenir régulièrement.

Ce manuel est le reflet des derniers développements du produit. Vermeiren a le droit d'apporter des modifications à ce type de produit sans être tenu d'adapter ou de remplacer des produits similaires fournis précédemment.

Les images sont fournies afin de clarifier les instructions de ce manuel. Les détails du produit illustré peuvent diverger de votre produit.

Informations disponibles

Sur notre site Internet <http://www.vermeiren.com/>, vous trouverez toujours la dernière version des informations décrites dans le présent manuel. Veuillez consulter régulièrement ce site Internet pour connaître les éventuelles mises à jour.

Les personnes malvoyantes peuvent télécharger la version électronique de ce manuel et la lire au moyen d'une application de texte-parole.



Manuel d'utilisation
Pour l'utilisateur et le revendeur spécialisé



Instructions d'installation
Pour le revendeur spécialisé



Manuel d'entretien des fauteuils roulants
Pour le revendeur spécialisé



Déclaration de conformité CE

Votre produit



1. Croisillon
2. Poignées de poussée
3. Dossier
4. Manchettes
5. Accoudoirs
6. Roues motrices (roues arrière)
7. Mains-courantes
8. Freins
9. Monte trottoir supplémentaire
10. Roues directrices (roues avant)
11. Repose-pieds
12. Palettes
13. Assise
14. L'emplacement de la plaque d'identification

1.1 Accessoires

Les accessoires suivants sont disponibles pour le Jazz S50 :

- Roues à batons (B86)
- Accoudoirs (B05)

Contactez votre revendeur spécialisé pour les autres accessoires. Il vous conseillera avec plaisir.

Avant l'utilisation

2.1 Utilisation prévue

Ce paragraphe vous donne une brève description de l'usage prévu de votre fauteuil roulant. Des avertissements pertinents ont également été ajoutés aux instructions dans les autres paragraphes. Nous aimerions ainsi attirer votre attention sur un usage inapproprié éventuel qui pourrait survenir.

- Indications et contre-indications : L'utilisateur peut lui-même faire avancer le fauteuil roulant ou se faire pousser par une autre personne. Le fauteuil roulant est destiné aux personnes qui ont des difficultés à marcher ou sont dans l'impossibilité de marcher. Les différents types d'équipements et d'accessoires et la construction modulaire permettent une utilisation complète par les personnes gériatriques et des personnes souffrant des handicaps suivants : paralysie, de la perte de membres (amputation des jambes), déficience ou malformation de membres, de contractions ou d'affections articulaires, insuffisances cardiaques et mauvaise circulation sanguine, troubles de l'équilibre, cachexie (perte musculaire).
- Le fauteuil roulant est destiné à une utilisation en intérieur et en extérieur.
- Le fauteuil roulant est destiné au transport d'une seule personne d'un poids maximum de 130 kg. Il n'est pas destiné au transport de marchandises ou d'objets, ni à tout autre usage que celui décrit précédemment.
- Utilisez uniquement des accessoires et des pièces de rechange approuvés par Vermeiren.
- Consultez également les détails techniques et les limites de votre fauteuil au chapitre 0.
- La garantie sur ce produit est basée sur une utilisation et un entretien normaux, tels que décrits dans le présent manuel. Les dommages à votre produit dus à un usage inapproprié ou à un manque d'entretien auront pour effet d'annuler la garantie.

2.2 Explication des symboles



Poids maximum de l'utilisateur en kg



Usage à l'intérieur/extérieur



Déclivité sûre maximale en ° (degrés).



Indication du type

2.3 Instructions générales de sécurité

- N'utilisez pas votre fauteuil roulant si vous êtes sous l'influence de l'alcool, de médicaments ou d'autres substances qui peuvent influencer vos capacités de conduite.
- N'oubliez pas que certaines parties de votre fauteuil roulant peuvent devenir très chaudes ou très froides en fonction de la température ambiante, des rayons du soleil ou des dispositifs de chauffage. Faites donc attention lorsque vous les touchez. Portez des vêtements de protection s'il fait froid. Lorsque vous sortez, des gants peuvent être utilisés pour améliorer la prise sur les mains courantes.
- Ne modifiez en aucun cas votre fauteuil roulant.
- Lorsque vous utilisez les roues motrices, veillez à ce qu'aucun objet et/ou partie du corps ne puisse prendre dans les rayons, sous peine de blessures et/ou de dégâts à votre fauteuil roulant.

Sachez que votre fauteuil roulant peut interférer avec certains types de systèmes antivol, selon les paramètres utilisés. Cela peut déclencher l'alarme du magasin.

En cas d'incident grave impliquant votre produit, informez Vermeiren ou votre revendeur spécialisé ainsi que l'autorité compétente de votre pays.


2.4 Transport

2.4.1 Dégagement de l'espace

Le meilleur moyen de déplacer le fauteuil roulant consiste à le faire rouler sur ses roues.

Si cela n'est pas (par exemple en cas de retrait des roues arrière pour le transport dans une voiture), saisir fermement le cadre à l'avant et les poignées. Ne pas saisir le fauteuil roulant par les repose-pieds ni par les accoudoirs.

2.4.2 Transport par véhicule, comme bagages

 AVERTISSEMENT Risque de lésion

- Vérifiez que le fauteuil roulant est bien fixé. Vous évitez ainsi des blessures des passagers en cas de collision ou de freinage brutal.
 - N'utilisez JAMAIS la même ceinture pour le fauteuil roulant et le passager.
1. Pliez le fauteuil roulant dans ses dimensions les plus compactes selon les instructions in §2.5.
 2. Entreposez le fauteuil roulant et ses roues dans le compartiment des bagages ou derrière le siège passager. Si le coffre n'est PAS séparé de l'habitacle du véhicule ou fermé, fixez fermement le fauteuil roulant dans le véhicule.

2.4.3 Utilisation du fauteuil roulant comme siège dans un véhicule

 AVERTISSEMENT Risque de blessures et/ou de dommages

- Le fauteuil roulant a passé le crash test ISO 7176-19 : 2008, et donc a été conçu et testé uniquement pour une utilisation en tant que passager du véhicule.
- AVERTISSEMENT : La ceinture pelvienne seule n'est pas adaptée pour être utilisée comme ceinture de sécurité pour tout autre passager.

Le fauteuil est testé avec 4 points d'attache et une ceinture 3 points. Dès que possible, utilisez le siège du véhicule et emportez votre fauteuil dans le coffre.

Étapes pour fixer le fauteuil dans un véhicule:

1. Vérifiez que le véhicule est équipé d'un système d'accroches pour fauteuils roulant, ISO 10542.
2. Vérifiez que les systèmes d'accroche sont en bon état de fonctionnement (Ne pas utiliser si les points d'accroches sont endommagés).
3. Si le fauteuil a une assise ou un dossier réglable, faites en sorte que l'utilisateur soit le plus droit possible dans son fauteuil. Si l'état de santé de l'utilisateur empêche ceci, une évaluation des risques est nécessaire pour évaluer la sécurité de l'utilisateur pendant le transport.
4. Retirez du fauteuil les accessoires tels que tablette, équipement respiratoire et sécurisez les pour le transport.
5. Dans la voiture, positionnez le fauteuil roulant face à la route et centré entre les points d'accroche.
6. Fixez les sangles avant de sécurité comme indiqué par le fabricant (figure 1). Les points d'accroches sont indiqués sur le fauteuil roulant par un symbole (figure 2).
7. Reculez le fauteuil de façon à ce que les sangles avant soient tendues.
8. Actionnez les freins du fauteuil roulant.
9. Fixez les sangles arrière de sécurité comme indiqué par le fabricant (figure 1). Les points d'accroches sont indiqués sur le fauteuil roulant par un symbole (figure 2).

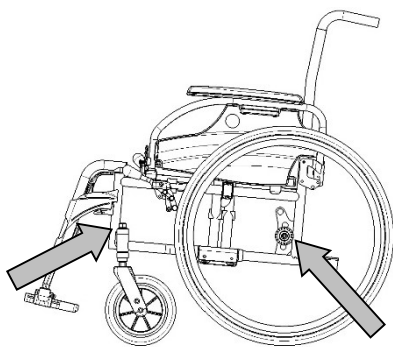


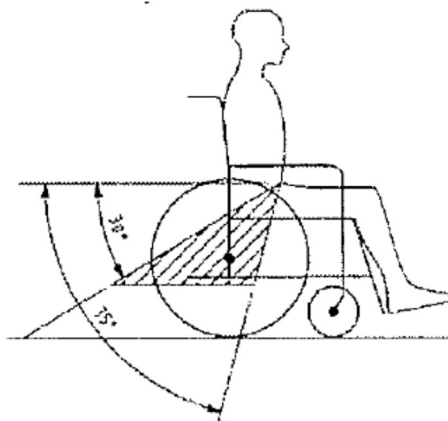
Figure 1



Figure 2

Etapes pour sécuriser l'utilisateur du fauteuil roulant :

1. Retirez les deux accoudoirs.
2. Si le fauteuil a une ceinture de sécurité, bouclez la.
3. Attachez l'utilisateur du fauteuil comme indiqué par le fabricant des sangles de sécurité.
4. Portez la ceinture de sécurité du bassin de façon à ce qu'elle soit positionnée comme sur le dessin ci-dessous, dans une zone de 30° à 75° par rapport à l'horizontal.



5. Pour le confort du patient, préférez le plus grand angle de la zone hachurée (préférez l'angle de 75° à l'angle des 30°).
6. Ajustez la ceinture de sécurité comme indiqué par le fabricant pour que celle-ci soit tendue tout en gardant le confort de l'utilisateur.
7. Assurez-vous que les ceintures soient correctement fixées sans être pliées ou torsadées.
8. Vous pouvez installer à nouveau les accoudoirs si cela est nécessaire. Assurez-vous que les ceintures ne sont pas coincées pas certaines parties du fauteuil comme les accoudoirs, les roues, etc.

Les ceintures ne doivent pas être éloignées du corps par les parties comme les accoudoirs ou les roues.



La ceinture pelvienne doit avoir un contact parfait avec le devant du corps de l'utilisateur.



2.5 Pliage/Dépliage du fauteuil roulant



ATTENTION

Risque de coincement - N'insérez pas les doigts entre les éléments du fauteuil roulant.

Pour plier le fauteuil roulant :

1. Pliez ou retirez les repose-pieds (voir § 2.4).
2. Saisissez l'avant et l'arrière du siège et tirez vers le haut.
3. Appuyez sur les poignées pour continuer à plier le fauteuil roulant.

Pour déplier de fauteuil roulant :

1. Placez-vous derrière le fauteuil roulant.
2. Utilisez les poignées pour ouvrir le fauteuil roulant autant que possible.
3. Placez-vous à l'avant du fauteuil roulant.
4. Poussez sur les deux tubes de l'assise vers le bas jusqu'à ce qu'ils soient fixés à leur place.

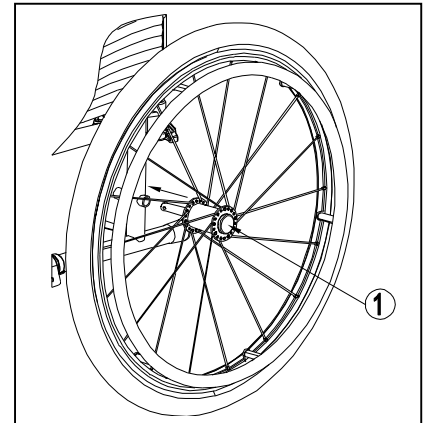
2.6 Montage/Retrait des roues arrière (si applicable)

Pour retirer les roues arrière

1. Enfoncez et maintenez le bouton (1) en faisant glisser l'axe de la roue dans le trou du cadre.
2. Répétez cette opération pour l'autre roue et posez délicatement le fauteuil roulant sur les tubes de cadre arrière.

Pour installer les roues arrière

1. Saisissez l'une des roues arrière et soulevez le fauteuil roulant sur un côté.
2. Enfoncez et maintenez le bouton (1) en faisant glisser la roue sur l'axe.
3. Relâchez le bouton pour bloquer la roue. Assurez-vous qu'elle se clipse en place.
4. Répétez cette opération pour l'autre roue.
5. Assurez-vous que les deux roues sont fermement bloquées.



2.7 Entreposage



Assurez-vous que votre fauteuil roulant est entreposé dans un environnement sec pour éviter la formation de moisissure et l'endommagement du rembourrage, voir également le chapitre 0.

Utilisation



ATTENTION

Risque de blessures et/ou de dommages

- Lisez d'abord les chapitres précédents et informez-vous à propos de l'usage visé. N'utilisez PAS votre fauteuil roulant sans avoir d'abord lu et bien compris toutes les instructions.
- En cas de doutes ou de questions, n'hésitez pas à prendre contact avec votre revendeur local, votre prestataire de soins ou votre conseiller technique qui pourra vous aider.
- Assurez-vous que vos mains, vêtements, ceintures, boucles ou bijoux ne puissent pas se coincer dans les roues ou dans d'autres parties mobiles pendant l'utilisation ou le réglage.

3.1 Placer ou enlever les repose-pieds



ATTENTION

Risque de blessures

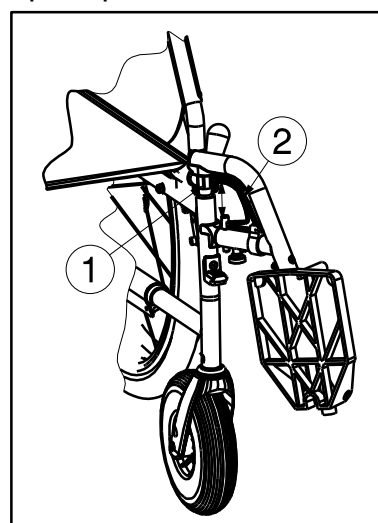
- Vérifiez que les repose-pieds sont fermement installés avant d'utiliser le fauteuil roulant.
- Ne pas placer d'objets au niveau de la partie amovible du repose-pied pendant montez ou enlevez les repose-pieds.

L'installation des repose-pieds se fait de la manière suivante :

1. Mettez le repose-pied latéralement vers l'extérieur du cadre et montez le repose-pied avec l'embout (1) dans le cadre.
2. Basculez les repose-pieds vers l'intérieur jusqu'à ce qu'il se bloque en position.
3. Tournez la palette vers le bas.

Vous devez procéder de la manière suivante pour enlever les repose-pieds :

1. Tirez le levier (2).
2. Basculez le repose-pied vers l'extérieur du fauteuil roulant jusqu'à ce qu'il soit libéré du guide.
3. Tirez le repose-pied hors du logement de tube (1).



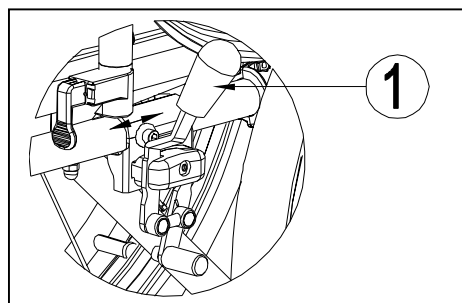
3.2 Utilisation des freins



AVERTISSEMENT

Risque de blessures

- Les freins n'ont pas pour but de ralentir le fauteuil roulant lors de déplacements. Ne les utilisez que pour éviter des mouvements non souhaités.
- L'usure et la contamination des roues (eau, huile, boue, ...) influencent de le bon fonctionnement des freins. Vérifiez l'état des roues avant chaque utilisation.
- les freins sont réglables et sont sujets à l'usure. Vérifiez leur fonctionnement avant chaque utilisation.
- Vérifiez que le fauteuil roulant se trouve sur une surface horizontale plane avant de relâcher les freins. Ne relâchez jamais les deux freins en même temps.



Pour actionner les freins :

1. Appuyez les leviers des freins (1) vers l'avant jusqu'à ce que vous ressentiez un clic clair.

Pour relâcher les freins :

1. Désactivez d'abord un frein en tirant le levier (1) vers l'arrière.
2. Maintenez avec votre main la main-courante de la roue relâchée.
3. Relâchez le deuxième frein en tirant la poignée vers l'arrière.

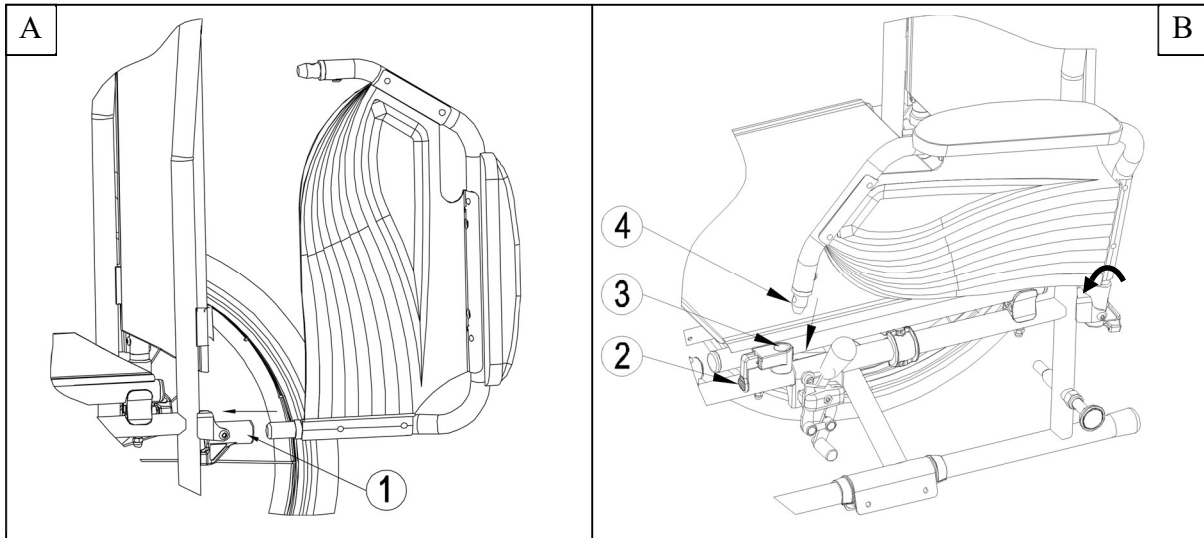
3.3 Montage ou retrait des accoudoirs



AVERTISSEMENT

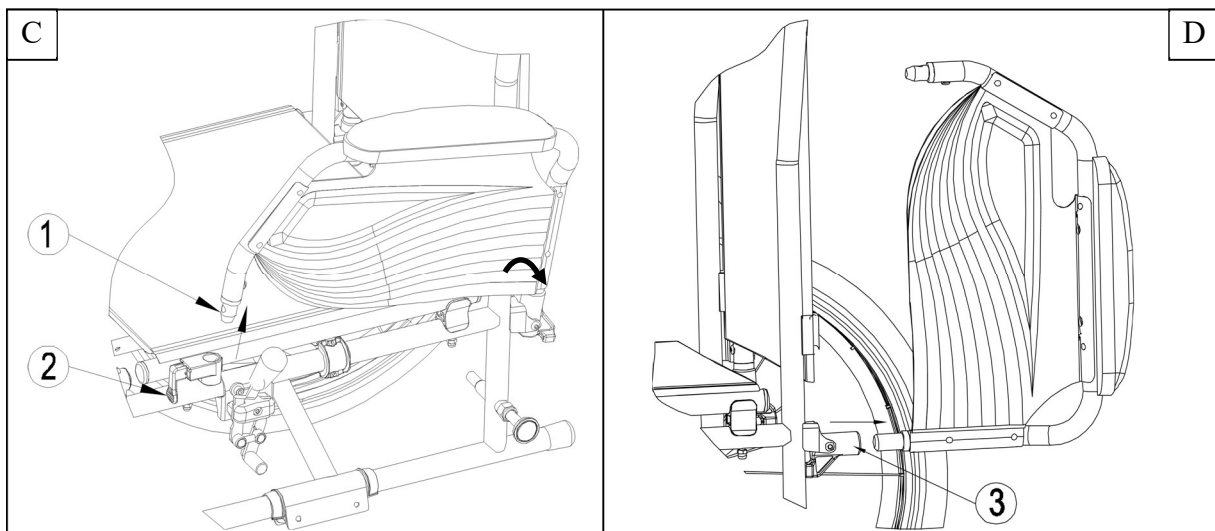
Risque de blessures

- Vérifiez que les accoudoirs sont fermement installés avant d'utiliser le fauteuil roulant.
 - Éloignez vos doigts et les vêtements de la partie inférieure de l'accoudoir.
1. Montez le tube arrière de l'accoudoir dans le logement de tube (1) (Fig. A).
 2. Vérifiez que l'accoudoir est parfaitement installé.
 3. Pliez l'accoudoir vers l'avant.
 4. Tirez le levier (2) sur le logement de tube (3) vers le haut (Fig. B).
 5. Verrouillez le tube avant de l'accoudoir (1) dans le logement de tube (3) (Fig. B).

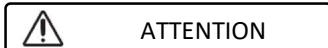


Pour ouvrir et retirer l'accoudoir:

1. Tirez sur le levier (2) et tirez l'avant de l'accoudoir (1) vers le haut (Fig. C).
2. Pliez l'accoudoir vers l'arrière.
3. Pour retirer l'accoudoir, tirez l'arrière du repose-bras hors du logement de tube (3) (Fig. D).



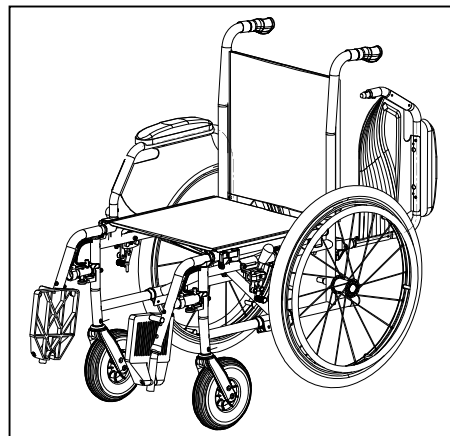
3.4 Transfert dans et hors du fauteuil roulant



ATTENTION

Risque de blessures et/ou dommages

- Si vous ne pouvez pas réaliser le transfert en toute sécurité, demandez à quelqu'un de vous aider.
 - Ne vous levez pas sur les palettes.
1. Placez le fauteuil roulant aussi près que possible de la chaise, du canapé ou du lit concerné par le transfert.
 2. Vérifiez que les freins du fauteuil roulant sont actionnés.
 3. Pliez les palettes vers le haut pour éviter de prendre appui sur elles.
 4. Si le transfert est réalisé sur le côté du fauteuil roulant, rabattez l'accoudoir de ce côté vers le haut (voir § 3.3).
 5. Procédez au transfert vers/ depuis le fauteuil roulant.



3.4.1 Position correcte du fauteuil roulant

Recommandations pour une utilisation confortable du fauteuil roulant :

- Placez votre dos aussi proche que possible du dossier.
- Assurez-vous que vos cuisses soient horizontales. Réglez la longueur des repose-pieds si nécessaire (voir § 4.3).

3.5 Déplacements avec le fauteuil roulant



ATTENTION

Risque de blessures et de dommages

- Avant tout usage, assurez-vous que :
 - les freins de stationnement fonctionnent correctement.
 - les pneus sont en bon état, voir § 0.
- Faites attention de ne pas vous coincer les doigts dans les rayons des roues.
- Ne tenez pas les poignées avec des mains mouillées.
- Faites attention de ne pas vous coincer les mains sur les mains courantes lorsque vous roulez dans des passages étroits
- Ne roulez PAS sur des pentes, obstacles, marches ou bordures plus larges que la dimension décrite au § 0.
- Lorsque vous vous arrêtez sur une (petite) pente, utilisez vos freins.
- Assurez-vous que les quatre roues touchent le sol lorsque vous montez ou descendez une pente.
- Abordez les pentes aussi lentement que possible.
- Restez toujours sur le trottoir lorsque vous roulez sur la voie publique.
- Faites attention s'il y a des trous ou des fissures dans la route qui peuvent coincer les roues.
- Évitez les pierres et autres objets pouvant bloquer les roues.
- Assurez-vous que les palettes repose-pieds ne touchent pas le sol lorsque vous abordez un obstacle.
- N'utilisez pas votre fauteuil roulant sur un escalier mécanique.
- Si disponible, portez votre ceinture de sécurité.
- Tenez toujours compte de l'amplitude de la palette repose-pied pour ne pas blesser les personnes ou endommager les objets aux alentours.
- Si vous n'avez pas suffisamment d'expérience dans la conduite de votre fauteuil roulant, demandez l'aide d'un accompagnateur. Gardez vos mains à l'écart des roues et laissez vos pieds sur la palette repose-pieds.
- Les escaliers doivent toujours être franchis à l'aide de deux accompagnateurs.
- N'essayez jamais d'emprunter des escaliers qui ne sont pas appropriés pour les fauteuils roulants.

3.5.1 Rouler avec votre fauteuil roulant :

1. Relâchez les freins.
2. Saisissez les deux mains courantes à leur position la plus élevée.
3. Penchez-vous en avant et poussez les mains courantes vers l'avant jusqu'à ce que vos bras soient tendus.
4. Repassez vos mains vers le haut des mains courantes et répétez le mouvement.

Installation et réglage

Les instructions de ce chapitre sont destinées au distributeur.

Le Jazz S50 est conçu comme fauteuil roulant avec un minimum de réglages. Il n'est pas nécessaire de stocker des pièces de rechange.

Pour trouver un service d'entretien ou un revendeur spécialisé près de chez vous, contactez l'établissement Vermeiren le plus proche.

⚠ AVERTISSEMENT Risque de blessures et de dommages

- N'utilisez que les réglages décrits dans ce manuel.
- Des variations des réglages autorisés peuvent influencer la stabilité de votre fauteuil roulant (le faire basculer vers l'arrière ou sur le côté)

4.1 Outils

Les outils suivants sont requis pour le montage du fauteuil roulant.

- Jeu de clés de 7 à 22
- Jeu de clés Allen de 3 à 8
- Tournevis à tête Phillips

4.2 Mode de livraison

Le produit Vermeiren Jazz S50 est livré de la manière suivante :

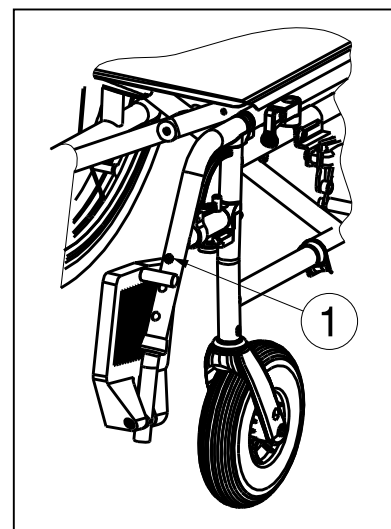
- 1 châssis avec des accoudoirs, des roues avant et arrière (hauteur d'assise à 500 mm)
- 1 paire de repose-pieds
- Outils
- Mode d'emploi
- Accessoires (en option)
- Pompe pour les roues

4.3 Réglage des repose-pieds

⚠ ATTENTION Risque de dommage, évitez tout contact entre les repose-pieds et le sol. Conservez une distance minimale de 60 mm au-dessus du sol.

Régalez la longueur des repose-pieds de la manière suivante :

1. Enlevez la vis (1).
2. Régalez la longueur du repose-pied pour une assise confortable.
3. Serrez à nouveau bien la vis (1).

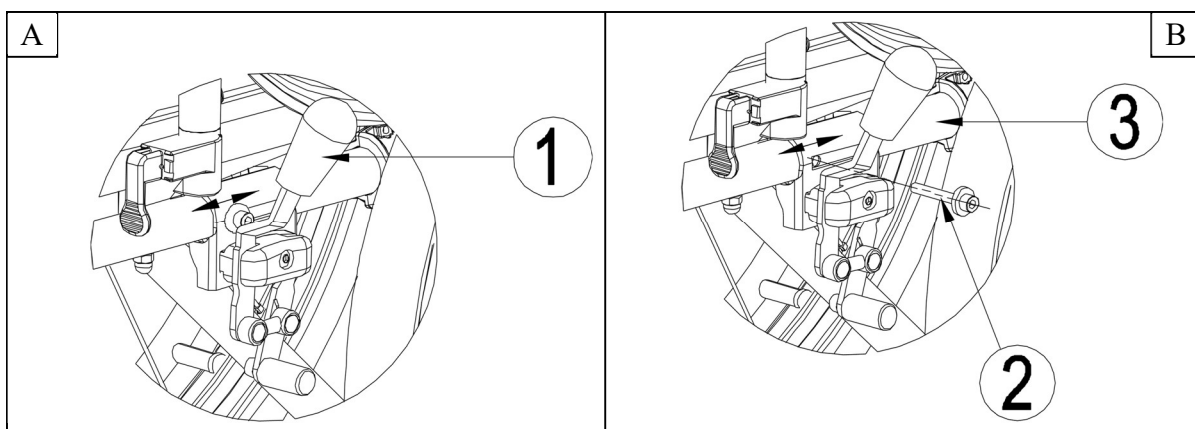


4.4 Réglages des freins



AVERTISSEMENT Danger de lésion - Faites régler les freins par un commerçant spécialisé et agréé.

1. Montez les roues comme cela est décrit au § 2.6.
2. Détachez les freins en tirant le levier (1) vers l'arrière (*Fig A*).
3. Déboulonnez le boulon (2) qui tout seul en sorte que le mécanisme de freinage puisse glisser sur le conduit de la structure (3) (*Fig B*).
4. Tirez le mécanisme de freinage sur le conduit de la structure (3) vers la position souhaitée (*Fig B*). Le réglage des freins est dans la gamme des lignes marquées (4) sur le mécanisme de frein.
5. Serrez le boulon (2) correctement (*Fig B*).
6. Contrôlez le fonctionnement des freins.
7. Si nécessaire, répétez les étapes mentionnées ci-dessus jusqu'au réglage correct des freins.



4.5 Changement des pneus à air



AVERTISSEMENT Risque de blessures et/ou de dommages

- Dans le cas d'une mauvaise utilisation, la jante peut être endommagée. Nous vous conseillons de faire appel à un expert pour cette procédure.
 - Lors du montage d'une roue, veillez à ce qu'aucun objet et aucune partie du corps ne puisse se retrouver coincé entre la roue et la jante.
 - Faites toujours attention à la pression de remplissage correcte lorsque vous pompez les roues. Vous pouvez lire cette valeur sur la roue.
 - N'utilisez que des pompes conformes à la législation et indiquant la pression en bars, ou utilisez la pompe à air fournie. Nous n'accordons pas de garantie sur les pompes qui ne sont pas fournies par le fabricant.
- i**
- Veillez toujours à ce que les roues soient suffisamment gonflées, ce facteur influe sur les performances de roulage.
 - Nous n'offrons aucune garantie pour les roues qui ne proviennent pas du fabricant.
 - Un montage correct peut uniquement être garanti dans le magasin spécialisé. En cas de travaux qui ne sont pas réalisés par le commerce spécialisé, la garantie est échu.

Si vous voulez changer les pneus extérieurs ou les pneus intérieurs, vous trouverez quelques conseils ci-dessous :

1. Laissez sortir l'air du pneu intérieur.
2. Glissez un démonte-pneu entre le pneu extérieur et la jante.
3. Poussez lentement le démonte-pneus et prudemment vers le bas. Ce faisant, le pneu extérieur est tiré du bord de la jante.
4. Déplacez le démonte-pneus le long du bord de la jante, le pneu extérieur saute de la jante.
5. Enlevez maintenant prudemment le pneu extérieur et le pneu intérieur de la jante.

Contrôlez le lit de la jante et l'intérieur du pneu pour voir s'il y a des objets étrangers et nettoyez-les si nécessaires. Contrôlez l'état du lit de la jante, surtout à proximité de l'ouverture de ventilation.

Utilisez uniquement des pièces de rechange originelles. La garantie ne s'applique pas aux dommages qui sont causés par des pièces de rechange qui ne sont pas originelles. Contactez votre revendeur.



Faites glisser le ruban de jante au-dessus de la valve et insérez cette dernière dans la jante. Vous pouvez maintenant placer le ruban de jante sans problème. Vérifiez que toutes les têtes des rayons sont couvertes (si les jantes sont en plastique, aucun ruban n'est utilisé).



Prenez le pneu extérieur et appuyez-le sur le bord de la jante en commençant derrière la valve. Pompez légèrement le pneu intérieur jusqu'à ce qu'il adopte une forme ronde et mettez-le dans le pneu.



Une fois que le pneu intérieur s'insère bien dans le pneu extérieur et sans pli (laissez sortir un peu d'air, le cas échéant), placez délicatement et à l'aide de vos deux mains la partie supérieure du pneu extérieur sur la jante, de nouveau en commençant au niveau de la valve.

Contrôlez autour et des deux côtés si le pneu intérieur n'est pas coincé entre le bourrelet et la jante. Glissez à nouveau légèrement la valve pour la remettre en place et tirez dessus afin que le pneu soit bien positionné à proximité de la valve.

Pour pomper correctement le pneu, vous pompez d'abord de l'air jusqu'à ce que vous puissiez encore bien appuyer sur le pneu avec le pouce. Lorsque la ligne de contrôle indique des deux côtés du pneu la même distance par rapport au bord de la jante, le pneu est correctement centré. Lorsque ce n'est pas le cas, vous devez laisser à nouveau de l'air et aligner de nouveau le pneu.

Pompez maintenant le pneu jusqu'à la pression d'utilisation maximale (attention à la pression de remplissage !) et remettez le capuchon sur la valve.

Entretien

5.1 Points d'entretien

**ATTENTION**

Risque de blessures et de dommages

Les réparations et les remplacements ne peuvent être réalisés que par des personnes formées, et seules des pièces de remplacement d'origine de Vermeiren peuvent être utilisées.



La fréquence d'entretien dépend de la fréquence et de l'intensité de l'utilisation. Prenez contact avec votre commerçant pour convenir d'un rendez-vous pour une inspection/un entretien/une réparation.

Avant chaque utilisation

Inspectez les points suivants :

- Toutes les pièces : Présentes et sans dommage ni usure.
- Toutes les pièces : Propres, voir § 5.2.2.
- Roues, dossier, siège, repose-jambes, accoudoirs, palette repose-pieds : Bien serrés.
- État des roues/pneus, voir § 5.2.1.
- État des pièces du cadre : Pas de déformation, d'instabilité, de faiblesse ou de connexions desserrées.
- Siège, dossier, manchettes, repose-jambes et appuie-tête (si applicable) : Pas d'usure excessive (bosses, dommages ou déchirures).
- Freins : Non endommagés et fonctionnant

Contactez votre commerçant spécialisé pour les réparations et les remplacements de pièces éventuels.

Chaque année ou plus souvent

Faites inspecter et entretenir votre fauteuil roulant par votre revendeur spécialisé au moins une fois par an, ou plus. La fréquence d'entretien minimale dépend de l'usage et doit être déterminée de commun accord avec votre commerçant spécialisé.

5.2 Instructions d'entretien

5.2.1 Roues et pneus



Un fonctionnement correct des freins dépend de l'état des pneus, qui peut changer en raison de l'usure et de la contamination (eau, huile, boue...).

Éliminez les fils, cheveux, le sable et les fibres de vos roues.

Vérifiez le profil des pneus. Si la profondeur de la sculpture est inférieure à 1 mm, les pneus doivent être remplacés. Prenez contact avec votre revendeur spécialisé à ce propos.

Gonflez chaque pneu à la pression adéquate (cf. les indications de pression sur les pneus).

5.2.2 Nettoyage

ATTENTION

Risque de dommages dus à l'humidité

- N'utilisez jamais un tuyau ou un nettoyeur à haute pression pour nettoyer le fauteuil roulant.

Essuyez toutes les parties rigides du fauteuil roulant avec un chiffon humide (pas détrempé). Si nécessaire, utilisez un savon doux, approprié pour les laques et les synthétiques.

Le rembourrage peut être nettoyé à l'eau tiède additionnée de savon doux. N'utilisez pas de produits de nettoyage abrasifs.

5.2.3 Désinfection

ATTENTION

Risque de dommages

- La désinfection ne peut être réalisée que par des personnes qualifiées. Renseignez-vous auprès de votre revendeur spécialisé à cet égard.

5.3 Résolution des problèmes

Même si vous utilisez votre fauteuil roulant de façon appropriée, les problèmes techniques ne sont pas exclus. Dans ce cas, contactez votre local revendeur spécialisé.



AVERTISSEMENT

Risque de blessures et de dommages au fauteuil roulant

- N'essayez JAMAIS de réparer le fauteuil roulant vous-même.

Les symptômes suivants peuvent indiquer un problème grave. Par conséquent, prenez toujours contact avec votre revendeur spécialisé si vous détectez l'une des anomalies suivantes :

- Bruit anormal ;
- Usure inégale sur la sculpture de l'un des pneus ;
- Mouvements saccadés ;
- Le fauteuil roulant dévie d'un côté ;
- Ensembles de roues endommagés ou cassés.

5.4 Durée de vie attendue

La durée de vie moyenne de votre fauteuil roulant est de 5 ans. Elle augmentera ou diminuera suivant la fréquence d'utilisation, les conditions de conduite et l'entretien.

5.5 Réutilisation

Avant chaque réutilisation, faites désinfecter, inspecter et entretenir le fauteuil roulant conformément aux instructions du §5.1 et du §5.2.

5.6 Mise au rebut

À la fin de sa durée de vie, votre fauteuil roulant doit être évacué conformément à la législation environnementale locale. Il est recommandé de démonter le fauteuil roulant afin de faciliter le transport des matériaux recyclables.

Spécifications techniques

Les détails techniques ci-dessous concernent uniquement ce fauteuil roulant, avec des réglages standard et dans des conditions ambiantes optimales. Veuillez tenir compte de ces détails pendant l'utilisation. Les valeurs ne sont plus valables si votre fauteuil roulant a été modifié, endommagé ou présente une usure sérieuse.

Tableau 1 : Caractéristiques techniques

Description	Caractéristiques
Marque	Vermeiren
Type	Fauteuil roulant manuel
Modèle	Jazz S50
Poids max. du patient	130 kg
Longueur totale avec repose-pied	1120 mm
Largeur d'assise efficace	390 mm 420 mm 440 mm 460 mm 480 mm 500 mm
Largeur totale (en fonction de la largeur d'assise)	565 mm 595 mm 615 mm 635 mm 655 mm 675 mm
Longueur plié sans repose-pied	825 mm
Largeur plié	290 mm
Hauteur plié	935 mm
Masse totale	16,60 kg
Masse de la partie la plus lourde	8,05 kg
Des masses de pièces qui peuvent être démontés ou retirées	Repose-pieds : 1,80 kg; Accoudoirs : 1,80 kg; Roues arrières : 4,95 kg
Stabilité statique en descente	15°
Stabilité statique en montée	10°
Stabilité statique latérale	15°
Profondeur d'assise efficace	450 mm
Hauteur de la surface d'assise sur le bord avant	500 mm
Angle du plan d'assise	5°
Hauteur du dossier	420 mm
Angle du dossier	0°
Distance entre le repose-pied et le siège	370 mm - 440 mm
Angle entre le repose-pied et le siège	7°
Distance entre l'accoudoir et le siège	220 mm
Emplacement avant de la structure de l'accoudoir	310 mm
Diamètre de la main-courante	535 mm
Emplacement horizontal de l'essieu (flèche)	10 mm

Diamètre de braquage minimum	1190 mm
Diamètre des roues arrières	24" (en option 12")
Pression des pneus, roues arrière (motrices)	Max. 3,5 bars
Diamètre des roues directrices	200 mm
Pression des pneus, roues avant (directrices)	Max. 2,5 bars
Température de stockage et d'utilisation	+ 5 °C - + 41 °C
Humidité de stockage et d'utilisation	30% - 70%

**Nous nous réservons le droit d'apporter des modifications techniques.
Tolérance de mesures ± 15 mm / 1,5 kg / 1,5 °.**

Inhoudsopgave

Inhoudsopgave	1
Voorwoord	2
1 Uw product	3
1.1 Accessoires	3
2 Voor gebruik	4
2.1 Beoogd gebruik	4
2.2 Gebruikte symbolen	4
2.3 Algemene veiligheidsmaatregelen	4
2.4 Transport	5
2.5 De rolstoel opvouwen/ontvouwen	7
2.6 De achterwielen monteren/verwijderen (indien beschikbaar)	7
2.7 Opslag	7
3 Uw rolstoel gebruiken	8
3.1 De voetsteunen plaatsen of verwijderen	8
3.2 Bedienen van de remmen	8
3.3 Plaatsen of verwijderen van de armsteunen	9
3.4 Transfer in en uit de rolstoel	10
3.5 Rijden met de rolstoel	10
4 Montage en instellingen	12
4.1 Gereedschap	12
4.2 Leveringsomvang	12
4.3 Instellen van de voetsteunen	12
4.4 Afstellen van de remmen	13
4.5 Veranderen van de luchtbanden	13
5 Onderhoud	15
5.1 Tijdstippen voor onderhoud	15
5.2 Onderhoudsinstructies	15
5.3 Probleemoplossing	16
5.4 Verwachte levensduur	16
5.5 Hergebruik	16
5.6 Beëindiging van gebruik	16
6 Technische specificaties	17

Voorwoord

Proficiat! U bent eigenaar van een Vermeiren-rolstoel!

Deze rolstoel werd vervaardigd door gekwalificeerd en toegewijd personeel. Hij werd ontworpen en geproduceerd volgens hoge kwaliteitsnormen, bewaakt door Vermeiren.

Lees deze handleiding zorgvuldig door: het zal u helpen om vertrouwd te raken met de bediening, mogelijkheden en beperkingen van uw rolstoel. Als u hierna nog vragen heeft, aarzel dan niet om contact op te nemen met uw vakhandelaar. Hij/Zij zal u met plezier verder helpen.

Belangrijke opmerking

Om uw veiligheid te garanderen, en om de levensduur van uw product te verlengen, raden we u aan om er goed zorg voor te dragen en om regelmatig nazicht en onderhoud te laten uitvoeren.

Deze handleiding houdt rekening met de recentste productontwikkelingen. De Firma Vermeiren behoudt zich het recht voor om wijzigingen aan dit type product door te voeren zonder verplicht te zijn om voordien geleverde producten aan te passen of te vervangen.

Afbeeldingen van het product worden gebruikt om de instructies in deze handleiding te verduidelijken. Details van het afgebeelde product kunnen afwijken van uw aangekochte product.

Beschikbare informatie

Op onze website <http://www.vermeiren.com/> kan u steeds de meest recente versie terugvinden van de informatie in deze handleiding. Contacteer deze website regelmatig voor mogelijke updates.

Mensen met een visuele beperking kunnen de elektronische versie van deze handleiding downloaden en laten voorlezen door een tekst-naar-spraak programma.



Gebruiksaanwijzing

Voor de gebruiker en vakhandelaar



Installatiehandleiding

Voor de vakhandelaar



Onderhoudshandleiding voor rolstoelen

Voor de vakhandelaar



EC-conformiteitsverklaring

1 Uw product



1. Kruis
2. Handgrepen
3. Rug
4. Armleggers
5. Armsteunen
6. Aandrijfwielen (achterwielen)
7. Grijphoepels
8. Remmen
9. Trapdop
10. Stuurwielen (voorwielen)
11. Voetsteunen
12. Voetplaten
13. Zit
14. Locatie identificatieplaat

1.1 Accessoires

Volgende accessoires zijn beschikbaar voor de Jazz S50:

- Reiswielen (B86)
- Armsteunen (B05)

Neem contact op met de vakhandelaar voor meer informatie over andere accessoires. Hij geeft u graag advies.

2 Voor gebruik

2.1 Beoogd gebruik

In dit hoofdstuk wordt kort beschreven wat het beoogde gebruik van uw rolstoel inhoudt. Bijkomende relevante waarschuwingen worden gegeven bij de instructies in andere hoofdstukken. Op deze manier proberen we u te waarschuwen voor mogelijk verkeerd gebruik.

- Indicaties en contra-indicaties: De gebruiker kan de rolstoel zelf voortbewegen of laten duwen door een begeleider. De rolstoel is bedoeld voor mensen die moeilijk of niet kunnen lopen. De verschillende soorten onderdelen en accessoires, en de modulaire constructie, zorgen ervoor dat de elektrische rolstoel ten volle kan worden gebruikt door geriatrische personen of mensen die invalide zijn omwille van: verlamming, verlies van ledematen (beenamputatie), defect of aandoeningen van ledematen, contracturen of gewrichtsaandoeningen, hart- en bloedsomloopinsufficiëntie, evenwichtsstoornissen, cachexie (afname van het spierweefsel).
- De rolstoel kan zowel binnenshuis als buiten gebruikt worden.
- De rolstoel is ontworpen voor het transport van 1 persoon met een maximum gewicht van 130 kg. Het is niet bedoeld om goederen of objecten te vervoeren, noch voor enig ander gebruik dan hiervoor beschreven.
- Gebruik enkel accessoires en reserveonderdelen die werden goedgekeurd door Vermeiren.
- Lees eerst alle technische details en limieten van uw rolstoel in hoofdstuk 6.
- De garantie op dit product is gebaseerd op normaal gebruik en onderhoud zoals beschreven in deze handleiding. De garantie vervalt bij schade die werd veroorzaakt door verkeerd gebruik of gebrek aan onderhoud

2.2 Gebruikte symbolen



Maximum gewicht van de gebruiker in kg



Gebruik voor binnen en buiten



Maximale veilige helling in ° (graden)



Type aanduiding

2.3 Algemene veiligheidsmaatregelen

- Gebruik de rolstoel niet indien u onder invloed bent van alcohol, medicijnen of andere substanties die uw rijvermogen verminderen.
- Houd er rekening mee dat sommige onderdelen van uw rolstoel zeer warm of koud kunnen worden door omgevingstemperatuur, de zon of verwarmingstoestellen. Wees daarom voorzichtig bij het aanraken. Draag beschermende kleding bij koud weer. Bij buitengebruik kunnen rijhandschoenen de grip op de aandrijfhoepels verbeteren.
- Wijzig uw rolstoel op geen enkele manier
- Let erop dat bij het gebruik van de aandrijfwielen geen voorwerpen en/of lichaamsdelen tussen de spaken terechtkomen. Dit kan immers letsel en/of schade aan de rolstoel veroorzaken.

Houd er rekening mee dat uw rolstoel, afhankelijk van de gebruikte instelling, bij sommige diefstalsystemen interferentie kan geven. Hierdoor kan het winkelalarm in werking gesteld worden.

Indien zich een ernstig incident heeft voorgedaan met uw product, breng dan Vermeiren of uw gespecialiseerde dealer op de hoogte, evenals de bevoegde autoriteit in uw land.

2.4 Transport

2.4.1 Uit de weg zetten

De beste manier om de rolstoel te dragen is om gebruik te maken van de wielen en zo de rolstoel verder te rollen.

Als dit niet mogelijk is (bv. wanneer de achterwielen verwijderd zijn voor transport in de auto), grijp de rolstoel stevig vast aan de voorzijde van het frame en de handgrepen. Gebruik de voet-, armsteunen of de wielen niet om de rolstoel vast te nemen.

2.4.2 Transport per voertuig, als bagage

 **WAARSCHUWING** Gevaar voor letsel

- Zorg ervoor dat de rolstoel voldoende vastgemaakt is, om verwonding van de inzittenden tijdens aanrijding of plots remmen te voorkomen.
 - Gebruik voor het vastmaken van de rolstoel en de passagiers NOOIT dezelfde gordel.
1. Vouw de rolstoel tot zijn meest compacte formaat volgens de instructies in §2.5.
 2. Bewaar de rolstoel en zijn wielen in het bagagecompartiment of achter de passagiersstoel. Als de bagage- en passagierscompartimenten NIET van elkaar gescheiden zijn, bevestig dan het frame van de rolstoel stevig aan het voertuig.

2.4.3 Gebruik van de rolstoel als zit in een motorvoertuig

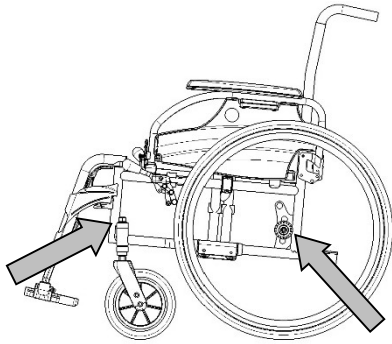
 **WAARSCHUWING** Gevaar voor letsel en/of beschadiging

- De rolstoel heeft de crashtest volgens ISO 7176-19: 2008 doorstaan en is zodanig ontworpen en getest om alleen te worden gebruikt als een naar voren gerichte zit in een motorvoertuig.
- Gebruik de bekkengordel van de rolstoel niet als riem voor inzittenden, deze is hiervoor niet geschikt.

De rolstoel is getest met een vierpunts rolstoelvastzetsysteem en een driepunts-veiligheidssysteem voor inzittenden. Probeer zoveel mogelijk gebruik te maken van de zetel van het voertuig en de rolstoel te bewaren in de laadruimte.

Procedure om de rolstoel vast te maken aan het voertuig:

1. Controleer of het voertuig is uitgerust met een geschikt rolstoelvastzetsysteem en een veiligheidssysteem voor inzittenden volgens ISO 10542.
2. Controleer dat de onderdelen van het rolstoelvastzetsysteem en het veiligheids-systeem voor inzittenden niet versleten, vervuild, beschadigd of gebroken zijn.
3. Indien uitgerust met een verstelbare zit en/of een kantelbare rug, controleer of de rolstoelgebruiker zo recht mogelijk zit. Als de toestand van de gebruiker dit niet toe laat, moet een risicoanalyse worden uitgevoerd om de veiligheid van de gebruiker tijdens transport te evalueren.
4. Verwijder alle gemonteerde accessoires zoals dienbladen en beademingsapparatuur en zet ze op een veilige plaats.
5. Positioneer de rolstoel naar voren in de rijrichting, centraal tussen de vastzet rails die zijn vastgemaakt in de vloer van het voertuig.
6. Maak de voorste veiligheidsgordels vast volgens de instructies van het op de aangegeven plaats riem-systeem van de fabrikant (Figuur 1). Deze plaats is gemarkeerd op de rolstoel door een symbool (Figuur 2).
7. Rol de rolstoel naar achteren tot de voorste gordels strak zijn.
8. Zet de remmen van de rolstoel aan.
9. Maak de achterste veiligheidsgordels vast volgens de instructies van het op de aangegeven plaats riem-systeem van de fabrikant (Figuur 1). Deze plaats is gemarkeerd op de rolstoel door een symbool (Figuur 2).



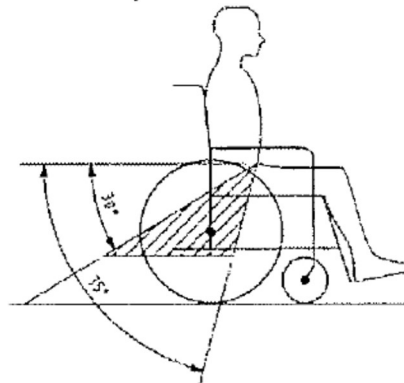
Figuur 1



Figuur 2

Procedure om de rolstoelgebruiker vast te maken:

1. Verwijder beide armsteunen.
2. Indien aanwezig, bevestig de rolstoel bekkengordel.
3. Bevestig het veiligheidssysteem voor inzittenden volgens de instructies van het riem-systeem van de fabrikant.
4. Draag de bekkengordel laag over de voorkant van de bekken, zodat de hoek van de bekkengordel binnen de gewenste zone van 30° tot 75° met de horizontale is, analoog zoals hieronder aangeven.



5. Een steilere (grotere) hoek binnen de gewenste zone is wenselijk.
6. Trek de riem strak aan volgens de instructies van het riem-systeem van de fabrikant en in overeenstemming met het comfort van de gebruiker.
7. Zorg ervoor dat de veiligheidsriem verbonden wordt in een rechte lijn aan het ankerpunt van het voertuig en dat er geen bochten in de riem zichtbaar zijn, bijvoorbeeld op de as van het achterwiel.
8. Installeer de arMLEUNINGEN indien gewenst. Zorg ervoor dat de gordels niet gedraaid zijn of weggehouden worden van het lichaam door rolstoel onderdelen zoals armsteunen of wielen.

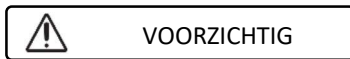
GORDELS MOGEN NIET WEGGEHOUDEN WORDEN VAN HET LICHAAM DOOR ROLSTOEL ONDERDELEN ZOALS ARMSTEUNEN OF WIELEN.



DE BEKKENGORDEL MOET VOLLEDIG CONTACT MAKEN MET DE VOORKANT VAN HET LICHAAM VLAKBIJ DE KRUISING VAN DE DIJ EN HET BEKKEN.



2.5 De rolstoel opvouwen/ontvouwen



Kans op klemmen - Houd uw vingers niet tussen de onderdelen van de rolstoel.

Om op te vouwen:

1. Klap de voetplaten omhoog, of verwijder ze (zie § 3.1).
2. Neem de zit aan de voor- en achterzijde vast en trek deze naar boven.
3. Druk op de handgrepen om de rolstoel verder in te klappen.

Om te ontvouwen:

1. Ga aan de achterzijde van de rolstoel staan.
2. Gebruik de handgrepen om de rolstoel zo ver mogelijk te openen.
3. Ga aan de voorzijde van de rolstoel staan.
4. Duw beide buizen waaraan de zit bevestigd is verder naar beneden.

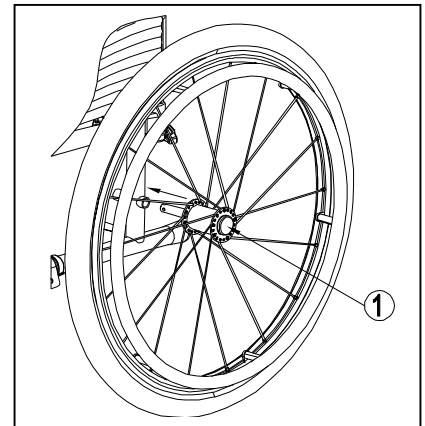
2.6 De achterwielen monteren/verwijderen (indien beschikbaar)

Om de achterwielen te verwijderen

1. Duw op de knop (1) en blijf vasthouden terwijl u de wielas uit de bevestiging schuift.
2. Herhaal dit voor het andere wiel en plaats de rolstoel voorzichtig op de achterste buizen van het frame.

Om de achterwielen te monteren

1. Neem een van de wielen en plaats de rolstoel op één zijde.
2. Duw op de knop (1) en blijf vasthouden terwijl u de wielas in de bevestiging schuift.
3. Laat de knop los om het wiel te vergrendelen. Zorg ervoor dat het wiel op zijn plaats klikt.
4. Herhaal dit voor het tweede wiel.
5. Zorg ervoor dat beide wielen stevig werden vastgezet.



2.7 Opslag

i Zorg ervoor dat uw rolstoel droog wordt bewaard om schimmel of schade aan de bekleding te voorkomen, zie hoofdstuk 6.

3 Uw rolstoel gebruiken



VOORZICHTIG

Gevaar voor letsel en/of beschadiging

- Lees eerst de voorgaande hoofdstukken en informeer uzelf over het beoogde gebruik. Gebruik uw rolstoel NIET voordat u alle instructies gelezen en begrepen heeft.
- Als u nog vragen heeft of als u ergens aan twijfelt, aarzel dan niet om contact op te nemen met uw lokale vakhandelaar, zorgverlener, of technisch adviseur om u te helpen
- Houd tijdens gebruik en verstelling uw vingers, gespen, kledij en juwelen uit de buurt van de wielen of bewegende onderdelen.

3.1 De voetsteunen plaatsen of verwijderen



VOORZICHTIG

Gevaar voor letsel

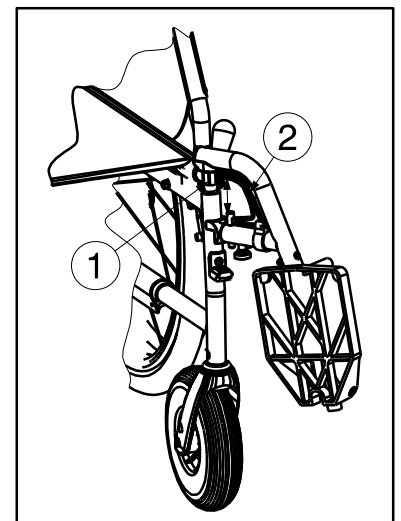
- Controleer dat de voetsteunen goed zijn vastgemaakt alvorens de rolstoel te gebruiken.
- Plaats geen voorwerpen in het draaibereik van de voetsteun tijdens het monteren of verwijderen van de voetsteunen.

Het plaatsen van de voetsteunen gaat als volgt:

1. Houd de voetsteun zijdelings aan de buitenkant van het frame van de rolstoel en monteer de voetsteun met de dop (1) in het frame.
2. Zwenk de voetsteun naar binnen tot deze vastklikt.
3. Draai de voetplaat naar beneden.

Om de voetsteunen te verwijderen gaat u als volgt te werk:

1. Trek aan hendel (2).
2. Draai de voetsteun naar buiten tot deze uit de geleiding komt.
3. Trek de voetsteun omhoog uit dop (1).



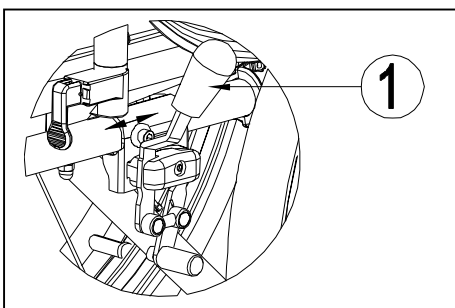
3.2 Bedienen van de remmen



WAARSCHUWING

Gevaar voor letsel

- De remmen dienen niet om af te remmen tijdens het rijden. Gebruik de rem enkel om te vermijden dat de rolstoel in stilstaande positie wegrolt.
- De werking van de remmen wordt beïnvloed door slijtage en vervuiling van de banden (water, olie, slijk, ...). Controleer voor elk gebruik de staat van de banden.
- De remmen zijn instelbaar en kunnen verouderen. Controleer voor elk gebruik de goede werking van de remmen.
- Zorg ervoor dat alvorens de remmen los te zetten, de rolstoel vlak staat. Los nooit beide remmen tegelijk.



Om de remmen in te schakelen:

1. Druk de hendels van de remmen (1) naar voren tot u een duidelijke klik voelt.

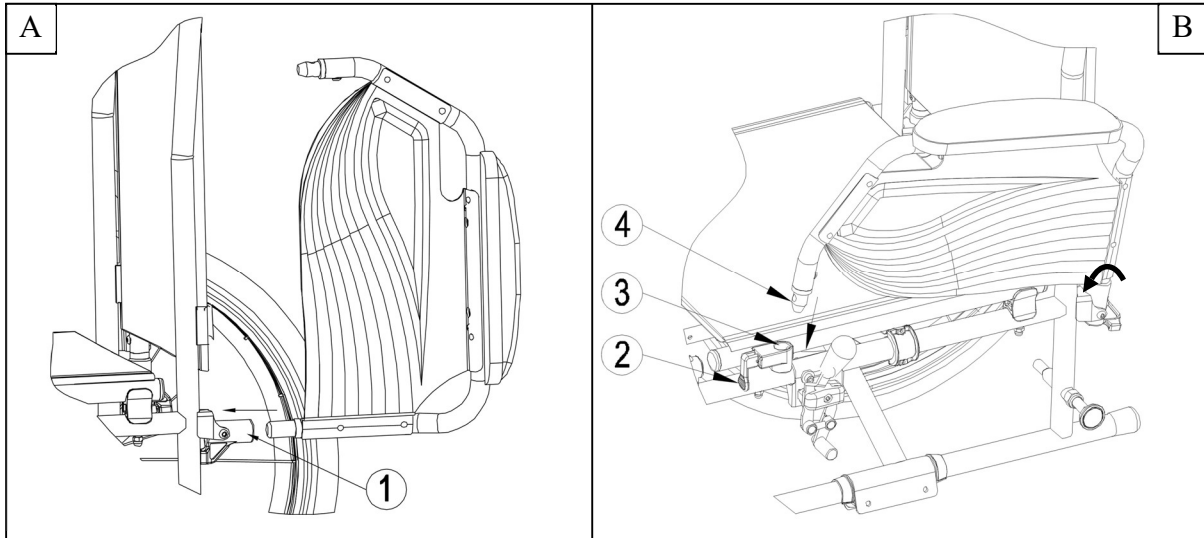
Om de remmen uit te schakelen:

1. Zet eerst één rem los door de hendel (1) naar achteren te trekken.
2. Houd het ongeremde wiel, met uw hand, vast aan de grijpvoepel.
3. Los de andere rem door de hendel naar achteren te trekken.

3.3 Plaatsen of verwijderen van de armsteunen

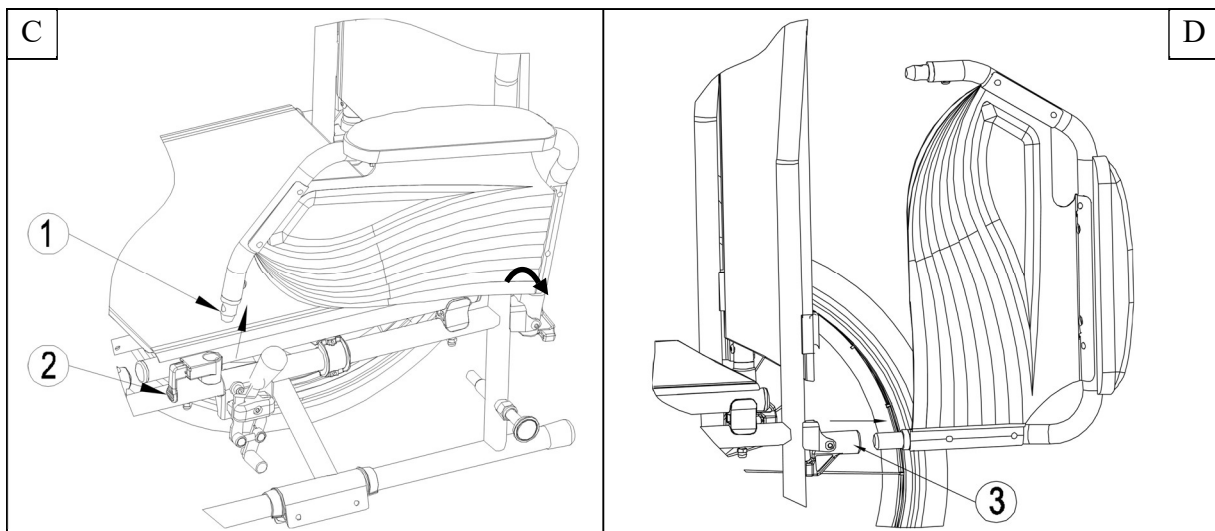
 **WAARSCHUWING** Gevaar voor letsel

- Controleer of de armsteunen goed zijn vastgemaakt voor de rolstoel te gebruiken.
 - Houd uw vingers en kledij uit de buurt van de onderzijde van de armsteun.
1. Plaats de achterzijde van de armsteun in de houder (1) (Fig A).
 2. Zorg ervoor dat de armsteun goed bevestigd is.
 3. Klap de armsteun naar voren.
 4. Trek de hendel (2) bevestigd op de houder (3) omhoog (Fig B).
 5. Plaats de voorzijde van de armsteun (4) in de houder (3) tot deze vastklikt (Fig B).



Voor het openen en verwijderen van de armsteun gaat u als volgt te werk:

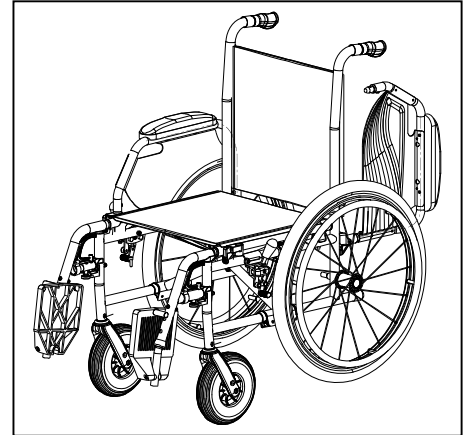
1. Trek aan de hendel (2) en trek de voorzijde van de armsteun (1) omhoog (Fig C).
2. Klap de armsteun naar achteren.
3. Als u de armsteun wilt verwijderen, trek de achterzijde van de armsteun uit dop (3) (Fig D).



3.4 Transfer in en uit de rolstoel

 **VOORZICHTIG** Gevaar voor letsel en/of schade

- Indien u de transfer niet veilig op eigen kracht kan uitvoeren, vraag dan hulp.
 - Kans op kantelen van de rolstoel - Niet op de voetplaten gaan staan.
1. Plaats de rolstoel zo dicht mogelijk bij de stoel, zetel of bed van/naar waar u zich wilt verplaatsen.
 2. Zorg dat beide remmen van de rolstoel aan staan.
 3. Vouw de voetplaten naar boven zodat u er niet op gaat staan.
 4. Indien u zich langs de zijkant in of uit de rolstoel wilt verplaatsen, klap dan de armsteun aan die zijde omhoog (zie § 3.3).
 5. Verplaats u van of naar de rolstoel.



3.4.1 Correcte positie in de rolstoel

Enkele aanbevelingen om comfortabel van uw rolstoel gebruik te maken:

- Plaats uw zitvlak zo dicht mogelijk bij de rug.
- Zorg dat uw bovenbenen horizontaal zijn. Stel eventueel de lengte van de voetsteunen bij (zie § 4.3).

3.5 Rijden met de rolstoel

 **VOORZICHTIG** Gevaar voor letsel of beschadiging

- Voor gebruik, zorg ervoor dat:
 - de parkeerremmen goed werken.
 - de remmen in goede staat zijn, §5.
- Vermijd dat uw vingers gekneld raken tussen de wielspaken.
- Bedien de aandrijfhoepels niet met natte handen.
- Vermijd dat uw handen gekneld raken tussen de aandrijfhoepels wanneer u door smalle doorgangen rijdt.
- Rijdt NIET op hellingen, hindernissen, treden of stoepranden die groter zijn dan beschreven in hoofdstuk 6.
- Wanneer u stopt op een (kleine) helling, gebruik dan de remmen.
- Zorg ervoor dat alle vier wielen de grond raken wanneer u op of af een helling rijdt.
- Neem hellingen zo traag mogelijk.
- Blijf altijd op het voetpad wanneer u op de openbare weg rijdt.
- Pas op als de weg gaten of spleten heeft waardoor de wielen kunnen vastlopen.
- Vermijd stenen en andere objecten die de wielen kunnen blokkeren.
- Zorg ervoor dat de voetplaten de grond niet raken bij het nemen van een obstakel.
- Gebruik uw rolstoel niet op roltrappen.
- Indien beschikbaar, bevestig uw veiligheidsgordel.
- Houd steeds rekening met de draaicirkel van de voetplaat om te voorkomen dat voorbijgangers verwond raken, of dat objecten beschadigd raken.
- Indien u niet voldoende ervaring heeft om met uw rolstoel te rijden, vraag dan hulp aan een begeleider. Houd dan uw armen uit de buurt van de wielen, en uw voeten op de voetplaat.
- Trappen mogen enkel genomen worden met behulp van twee begeleiders.
- Neem geen trappen die ongepast zijn voor rolstoelen.

3.5.1 Rijden met uw rolstoel:

1. Zet de remmen los.
2. Neem de aandrijfhoepels aan de bovenzijde vast.
3. Leun voorwaarts en duw de hoepels naar voor tot uw armen gestrekt zijn.
4. Neem de aandrijfhoepels weer aan de bovenzijde vast en herhaal de beweging.

4 Montage en instellingen

De in dit hoofdstuk beschreven instructies zijn bestemd voor de vakhandelaar.

De Vermeiren Jazz S50 is ontworpen als rolstoel met een minimum aan afstellingen. Zo is er geen extra voorraad nodig van vervangonderdelen.

Om een servicepunt of vakhandelaar in uw buurt te vinden, neemt u contact op met de dichtstbijzijnde Vermeiren faciliteit.



WAARSCHUWING

Gevaar voor letsel of beschadiging

- Gebruik enkel de instellingen beschreven in deze handleiding.
- Variaties van de toelaatbare instellingen kunnen de stabiliteit van uw rolstoel beïnvloeden (naar achteren of op zij kantelen).

4.1 Gereedschap

Om uw rolstoel op te bouwen is het volgende gereedschap nodig:

- Steek-/ringsleutel set n° 7 tot n° 22
- Inbussleutel set n° 3 tot n° 8
- Kruiskopschroevendraaier

4.2 Leveringsomvang

Het Vermeiren Jazz S50 model wordt als volgt geleverd:

- 1 frame met armsteunen, achter- en voorwielen (zithoogte van 500 mm)
- 1 paar voetsteunen
- Gereedschap
- Handleiding
- Accessoires (optioneel)
- Pomp voor de banden

4.3 Instellen van de voetsteunen

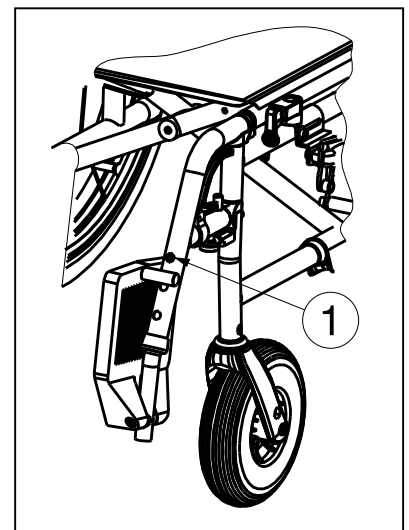


WAARSCHUWING

Zorg ervoor dat de voetsteunen niet over de grond slepen. Houd een minimum afstand van 60 mm tot de grond aan.

Stel de lengte van de voetsteunen als volgt in:

1. Verwijder de schroef (1).
2. Stel de lengte van de voetsteun op een comfortabele lengte in.
3. Draai de schroef (1) goed vast.

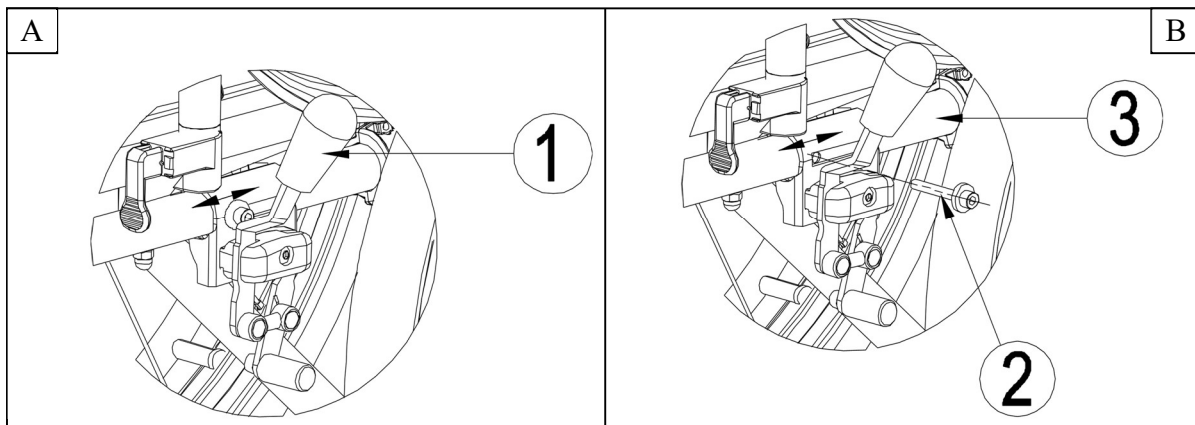


4.4 Afstellen van de remmen


WAARSCHUWING

Gevaar voor letsel – Laat de remmen afstellen door een erkend vakhandelaar.

1. Monteer de wielen zoals beschreven in § 2.6.
2. Zet de remmen los door hendel (1) naar achteren te trekken (Fig A).
3. Maak de bout (2) los om het remmechanisme over het frame (3) te schuiven (Fig B).
4. Schuif het remmechanisme over het frame (3) tot de gewenste positie (Fig B). Het verstellen van de remmen is in het bereik van de gemarkeerde streepjes (4) op het remmechanisme.
5. Maak schroef (2) terug goed vast (Fig B).
6. Controleer de werking van de remmen.
7. Indien nodig herhaal voorgaande stappen tot de remmen goed afgesteld staan.



4.5 Veranderen van de luchtbanden


WAARSCHUWING

Kans op schade

- Bij verkeerd gebruik kan de velg worden beschadigd. Laat deze procedure bij voorkeur uitvoeren door een expert.
- Bij het monteren van een wiel, zorg ervoor dat geen voorwerpen of lichaams-onderdelen tussen het wiel en velg geklemd raken.
- Let bij het oppompen van de banden steeds op de correcte vuldruk. Deze waarde kunt u aflezen op de band.
- Gebruik enkel pompen die conform de wetgeving zijn en de druk in bar aangeven gebruik de meegeleverde luchtpomp. Op pompen die niet door de fabrikant zijn geleverd, geven wij geen garantie.

- i**
- Let erop dat er altijd voldoende lucht in de wielen zit. Dit heeft immers invloed op de rijprestaties.
 - Voor wielen die niet door de fabrikant zijn geleverd, geven wij geen garantie.
 - Een correcte montage kan alleen worden gegarandeerd in de vakhandel. Bij werkzaamheden die niet zijn uitgevoerd door de vakhandelaar, vervalt de garantie.

Wanneer u de buitenbanden of binnenbanden wilt wisselen, vindt u hieronder enkele tips:

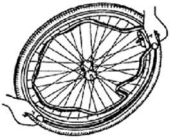
1. Laat alle lucht uit de binnenband.
2. Schuif een bandenlichter tussen de buitenband en de velg.
3. Duw de bandenlichter langzaam en voorzichtig naar beneden. Daardoor wordt de buitenband over de velgrand getrokken.
4. Beweeg de bandenlichter nu langs de rand van de velg, de buitenband springt uit de velg.
5. Neem de buitenband en binnenband nu voorzichtig van de velg weg.

Controleer het velgbed en de binnenkant van de band op vreemde voorwerpen en reinig indien nodig. Controleer de toestand van het velgbed, vooral in de buurt van de ventielopening.

Gebruik alleen originele wisselstukken. De garantie geldt niet voor schade die wordt veroorzaakt door niet originele wisselstukken. Neem contact op met de vakhandelaar.



Schuif het velglint over het ventiel en steek deze dan in de velg. Nu kunt u het velglint zonder problemen aanbrengen. Controleer of alle spaakkoppen zijn bedekt (bij kunststof velgen wordt geen velglint gebruikt).



Neem de buitenband en druk deze beginnend achter het ventiel over de velgrand. Pomp de binnenband lichtjes op tot hij een ronde vorm aanneemt en leg deze in de band.



Als de binnenband mooi in de buitenband past zonder plooiën (laat een beetje lucht uit als er plooiën zijn), dan plaatst u voorzichtig en met beide handen de bovenkant van de buitenband op de velg, weerom te beginnen aan het ventiel.

Controleer rondom en aan beide zijden of de binnenband niet tussen de bandhiel en velg is geklemd. Schuif het ventiel lichtjes terug en trek het weer uit zodat de band goed is gepositioneerd in de buurt van het ventiel.

Om de band correct op te pompen pompt u eerst lucht tot de band nog goed met de duim kan worden ingedrukt. Wanneer de controlelijn aan weerszijden van de band dezelfde afstand tot de velgrand aangeeft, is de band correct gecentreerd. Wanneer dit niet het geval is, dient u de lucht weer af te laten en de band opnieuw uit te lijnen.

Pomp de band nu op tot de maximale bedrijfsdruk (let op de vuldruk!) en draai de kap op het ventiel.

5 Onderhoud

5.1 Tijdstippen voor onderhoud



Gevaar voor letsel of beschadiging

Reparaties en vervangingen mogen enkel uitgevoerd worden door opgeleid personeel, en enkel originele onderdelen van Vermeiren mogen hierbij gebruikt worden.

- i** De onderhoudsfrequentie hangt af van de frequentie en intensiteit van gebruik. Neem contact op met uw vakhandelaar om een tijdschema vast te leggen voor nazicht/onderhoud/reparatie.

Voor ieder gebruik

Kijk de volgende punten na:

- Alle onderdelen: aanwezig en niet beschadigd of versleten.
- Alle onderdelen: schoon, zie § 5.2.2.
- Wielen, rugsteun, zit, kuitsteunen, armsteunen, voetplaat: stevig bevestigd.
- Staat van de wielen, zie § 5.2.1.
- Staat van de frameonderdelen: geen vervorming, instabiliteit, zwakte of losse verbindingen.
- Zit, rugsteun, armleggers, kuitsteunen en hoofdsteen (indien van toepassing): geen overmatige slijtage (bijv. gedeukte plekken, schade of scheuren).
- Remmen: onbeschadigd en werkend

Contacteer uw vakhandelaar voor eventuele reparaties of vervanging van onderdelen.

Jaarlijks of vaker

Laat uw rolstoel nakijken en onderhouden door uw vakhandelaar, ten minste één keer per jaar of vaker. De minimale onderhoudsfrequentie is afhankelijk van het gebruik en moet daarom besproken worden met uw vakhandelaar.

5.2 Onderhoudsinstructies

5.2.1 Wielen en banden

- i** De goede werking van de remmen hangt af van de staat van de banden, die onderhevig zijn aan slijtage en verontreiniging (water, olie, modder,...).

Houd de wielen vrij van draden, haar, zand en vezels.

Kijk het profiel van de banden na. Als de profieldiepte minder dan 1 mm bedraagt, moeten de banden vervangen worden. Contacteer hiervoor uw vakhandelaar.

Pomp de banden op volgens de correcte spanning (zie drukindicatie op de banden).

5.2.2 Schoonmaak

 **VOORZICHTIG**

Gevaar voor beschadiging door vocht

- Gebruik nooit een tuinslang of hogedrukreiniger om de rolstoel schoon te maken.

Veeg alle harde onderdelen van de rolstoel schoon met een vochtig doek (niet doorweekt). Indien nodig, gebruik een milde zeep die geschikt is voor vernis en synthetische materialen.

De bekleding kan schoon worden gemaakt met lauw water en een milde zeep. Gebruik geen agressieve schoonmaakmiddelen.

5.2.3 Ontsmetting

VOORZICHTIG

Gevaar voor beschadiging

- Ontsmetting mag enkel worden uitgevoerd door getraind personeel. Neem contact op met uw vakhandelaar.

5.3 Probleemoplossing

Ook wanneer u de rolstoel correct gebruikt, is het toch mogelijk dat er een technisch probleem optreedt. Neem in dat geval contact op met uw vakhandelaar.



WAARSCHUWING

Gevaar voor letsel of beschadiging aan de rolstoel

- Probeer NOOIT zelf uw rolstoel te repareren.

De volgende tekenen kunnen wijzen op een ernstig probleem. Neem daarom steeds contact op met uw vakhandelaar als u een van de volgende afwijkingen opmerkt:

- Vreemde geluiden;
- Oneven bandenslijtage op een van de banden;
- Schokkerige bewegingen;
- De rolstoel buigt af naar één kant;
- Beschadigde of kapotte wielmontages;

5.4 Verwachte levensduur

De gemiddelde levensduur van uw rolstoel is 5 jaar. De levensduur zal toenemen of afnemen afhankelijk van de gebruiksfrequentie, rijomstandigheden en onderhoud.

5.5 Hergebruik

Voor ieder hergebruik moet de rolstoel ontsmet, geïnspecteerd en onderhouden worden volgens de instructies in §5.1 en §5.2.

5.6 Beëindiging van gebruik

Op het einde van de levensduur moet u de rolstoel vernietigen volgens de lokale milieuwetgeving. De beste manier om dit te doen, is de rolstoel te demonteren om het vervoer van de recycleerbare onderdelen te vergemakkelijken.

6 Technische specificaties

Onderstaande technische gegevens zijn enkel geldig voor deze rolstoel, met standaard instellingen en optimale omgevingscondities. Houd bij gebruik rekening met deze details. Deze waarden zijn niet meer van toepassing als uw rolstoel werd gewijzigd, of wanneer hij beschadigd of ernstig versleten is.

Tabel 1: Technische specificaties

Merk	Vermeiren	
Type	Manuele rolstoel	
Model	Jazz S50	
Beschrijving	Specificaties	
Maximale massa gebruiker	60 kg	130 kg
Totale lengte inclusief voetsteun	914 mm	1120 mm
Effectieve zitbreedte	330 mm 370 mm	390 mm 420 mm 440 mm 460 mm 480 mm 500 mm
Totale breedte (afhankelijk van de zitbreedte)	518 mm 558 mm	565 mm 595 mm 615 mm 635 mm 655 mm 675 mm
Lengte dichtgevouwen zonder voetsteun	707 mm	825 mm
Breedte dichtgevouwen	299 mm	290 mm
Hoogte dichtgevouwen	915 mm	935 mm
Totaal gewicht	15,20 kg	16,60 kg
Gewicht zwaarste onderdeel	7,50 kg	8,05 kg
Massa van onderdelen die kunnen worden gedemonteerd of verwijderd	Voetsteunen: 1,80 kg; Armsteunen: 1,80 kg; Achterwielen: 4,95 kg	
Statische stabiliteit bergaf	15°	
Statische stabiliteit bergop	10°	
Statische stabiliteit zijwaarts	15°	
Effectieve zitdiepte	325 mm	450 mm
Zithoogte aan voorzijde	457 mm	500 mm
Zithoek	5°	
Rughoogte	360 mm	420 mm
Rughoek	0°	
Afstand tussen zit en voetsteun	317 - 366 mm	370 - 440 mm
Hoek tussen zit en voetsteun	6°	7°
Afstand tussen armsteun en zit	211 mm	220 mm
Afstand voorzijde armsteun	235 mm	310 mm
Diameter aandrijfhoepel	495 mm	535 mm
Horizontale afstand van de as (uitwijking)	10 mm	
Minimale draaicirkel	990 mm	1190 mm



Diameter achterwielen	22"	24" (optioneel 12")
Bandendruk, achter (aandrijf)wielen	Max. 3,5 bar	
Diameter stuurwielen	150 mm	200 mm
Bandendruk, voor (stuur)wielen	Max. 2,5 bar	
Opslag en gebruikstemperatuur	+ 5 °C - + 41 °C	
Opslag en gebruiksluchtvochtigheid	30% - 70%	
We behouden ons het recht voor om technische wijzigingen te introduceren. Meettolerantie ± 15 mm / 1,5 kg / 1,5°		

Inhalt	1
Vorwort	2
1 Ihr Produkt	3
1.1 Zubehör	3
2 Vor der Benutzung	4
2.1 Bestimmungsgemäße Verwendung	4
2.2 Zeichenerklärung	4
2.3 Allgemeine Sicherheitshinweise	4
2.4 Transport	5
2.5 Zusammenklappen/Auseinanderklappen des Rollstuhls	7
2.6 Montieren/Abnehmen der Hinterräder (sofern vorhanden)	7
2.7 Lagerung	7
3 Verwendung	8
3.1 An- oder Abbauen der Fußauflagen	8
3.2 Betätigen der Bremsen	8
3.3 An-/Abbauender Armlehnen	9
3.4 Setzen in den Rollstuhl	10
3.5 Fahren mit dem Rollstuhl	10
4 Zusammenbau und Einstellung	12
4.1 Werkzeuge	12
4.2 Lieferumfang	12
4.3 Einstellen der Fußauflagen	12
4.4 Einstellen der Bremsen	13
4.5 Wechseln der Luftreifen	13
5 Wartung	15
5.1 Wartungspunkte	15
5.2 Wartungshinweise	15
5.3 Störungsbeseitigung	16
5.4 Voraussichtliche Nutzungsdauer	16
5.5 Wiedereinsatz	16
5.6 Nutzungsende	16
6 Technische Daten	17

Vorwort

DE

Herzlichen Glückwunsch! Sie sind nun Besitzer eines Vermeiren-Rollstuhls!

Dieser Rollstuhl wurde von versierten und engagierten Mitarbeitern gefertigt. Es entspricht hinsichtlich Konstruktion und Fertigung den hohen Qualitätsstandards von Vermeiren.

Lesen Sie dieses Handbuch daher bitte aufmerksam durch, um sich mit der Bedienung, den Fähigkeiten und Beschränkungen Ihres Rollstuhls vertraut zu machen. Sollten Sie nach der Lektüre dieses Handbuchs noch Fragen haben, können Sie sich jederzeit an Ihren Fachhändler wenden. Er wird Ihnen gerne in dieser Angelegenheit weiterhelfen.

Wichtiger Hinweis

Um Ihre Sicherheit zu gewährleisten und die Nutzungsdauer Ihres Produkts zu verlängern, sollten Sie es gut behandeln und regelmäßig überprüfen und/oder warten lassen.

Dieses Handbuch enthält die neuesten Produktentwicklungen. Vermeiren behält sich das Recht vor, Veränderungen an dieser Art von Produkt vorzunehmen, ohne eine Verpflichtung einzugehen, ähnliche bereits ausgelieferte Produkte anzupassen oder auszutauschen.

Die Abbildungen dienen zur Verdeutlichung der Anweisungen in diesem Handbuch. Das gezeigte Produkt kann in Details von Ihrem Produkt abweichen.

Verfügbare Informationen

Auf unserer Webseite <http://www.vermeiren.com/> finden Sie stets die aktuellste Version der in diesem Handbuch beschriebenen Informationen. Informieren Sie sich bitte regelmäßig auf dieser Website nach eventuell verfügbaren Aktualisierungen.

Sehbehinderte Menschen können sich die elektronische Version dieses Handbuchs herunterladen und mit Hilfe einer Sprachsyntheselösung („Text-to-Speech-Software“) vorlesen lassen.



Benutzerhandbuch

Für Anwender und Fachhändler



Installationsanweisungen

Für Fachhändler



Servicehandbuch für Rollstühle

Für Fachhändler



EG-Konformitätserklärung

1 Ihr Produkt



1. Schere
2. Handgriffe
3. Rücken
4. Armpolster
5. Armlehnen
6. Antriebsräder (Hinterräder)
7. Greifreifen
8. Bremsen
9. Kipphilfe
10. Lenkräder (Vorderräder)
11. Fußauflagen
12. Fussplatte
13. Sitz
14. Typenschild

1.1 Zubehör

Für den Jazz S50 ist das folgende Zubehör erhältlich:

- Reiserollen (B86)
- Armlehnen (B05)

Für weiteres Zubehör setzen Sie sich mit Ihrem Fachhändler in Verbindung. Er berät Sie gern.

2 Vor der Benutzung

2.1 Bestimmungsgemäße Verwendung

Dieser Abschnitt enthält eine kurze Beschreibung der vorgesehenen Benutzung Ihres Rollstuhls. Darüber hinaus enthalten die Anweisungen in den anderen Abschnitten zusätzliche Warnhinweise. Auf diese Weise wollen wir Sie auf die Möglichkeit einer unsachgemäßen Benutzung hinweisen.

- Indikationen und Kontraindikationen: Der Rollstuhlfahrer kann den Rollstuhl entweder selbst antreiben oder von einer zweiten Person geschoben werden. Der Rollstuhl ist ausschließlich für den Transport von gehbehinderten oder gehunfähigen Menschen vorgesehen. Die Ausstattungsvarianten erlauben den Einsatz des Rollstuhls für ältere Menschen und bei Gehbehinderung/Gehunfähigkeit aufgrund von: Lähmungen, Gliedmaßenverlust (Beinamputation), Gliedmaßendefekt oder -deformation, Gelenkkontrakturen oder -schäden, Herzkrankheiten oder schwachem Blutkreislauf, Gleichgewichtsstörungen, Kachexie (Muskelschwund).
- Der Rollstuhl kann sowohl im Innen- als auch im Außenbereich eingesetzt werden.
- In dem Rollstuhl kann eine Person transportiert werden mit einem Gewicht von maximal 130 kg. Er ist nicht dafür vorgesehen, Sachen oder Objekte zu transportieren oder zu anderen Zwecken als zuvor beschrieben benutzt zu werden.
- Verwenden Sie ausschließlich von Vermeiren genehmigte Zubehör- oder Ersatzteile.
- Sehen Sie sich auch die technischen Daten und die Einschränkungen Ihres Rollstuhls in Abschnitt 6 an.
- Die Garantie für dieses Produkt beruht auf dessen normaler Benutzung und Wartung wie in diesem Handbuch beschrieben. Schäden an Ihrem Produkt, die auf unsachgemäße Benutzung oder mangelnde Wartung zurückzuführen sind, führen zum Erlöschen der Garantie.

2.2 Zeichenerklärung



Maximalgewicht des Benutzers (in kg)



Außen/Innenbenutzung



Maximale Neigungssicherheit in ° (Grad).



Typbezeichnung

2.3 Allgemeine Sicherheitshinweise

- Benutzen Sie Ihren Rollstuhl nicht, wenn Sie unter dem Einfluss von Alkohol, Medikamenten oder anderen Substanzen stehen, die Ihre Fahrtüchtigkeit beeinträchtigen könnten.
- Beachten Sie, dass bestimmte Teile dieses Rollstuhls infolge der Umgebungstemperatur, Sonneneinstrahlung, Heizkörpern usw. sehr warm oder sehr kalt werden können. Seien Sie daher vorsichtig beim Berühren. Tragen Sie bei kaltem Wetter Schutzbekleidung. Wenn Sie sich im Freien aufhalten, können Reithandschuhe verwendet werden, um den Griff an den Handrändern zu verbessern.
- Nehmen Sie keinerlei Veränderungen an Ihrem Rollstuhl vor.
- Achten Sie darauf, dass bei Nutzung der Antriebsräder keine Gegenstände und/oder Körperteile in die Speichen hineinragen, da sonst Verletzungen und/oder Beschädigungen an Ihrem Rollstuhl auftreten können.

Bitte beachten sie, dass Ihr Rollstuhl je nach den verwendeten Einstellungen einige Arten von Diebstahlsicherungssystemen beeinträchtigen kann. Dies kann dazu führen, dass der Sicherungsalarm des Shops ausgelöst wird.

Sollte sich ein schwerwiegender Zwischenfall mit Ihrem Produkt ereignet haben, benachrichtigen Sie Vermeiren oder Ihren Fachhändler sowie die zuständige Behörde in Ihrem Land.

2.4 Transport

2.4.1 Beiseiteschaffen

Am besten lässt sich der Rollstuhl transportieren, indem die Räder verwendet und der Rollstuhl geschoben wird. Sollte dies nicht möglich sein (beispielsweise wenn die Hinterräder für den Transport in einem Auto abgenommen wurden), greifen Sie den Rahmen fest an der Vorderseite und an den Handgriffen. Greifen Sie den Rollstuhl nicht an den Fußauflagen, Armlehnen oder den Rädern.

2.4.2 Transport in einem Fahrzeug (als Gepäck)

 **WARNUNG** Verletzungsgefahr

- Achten Sie darauf, den Rollstuhl ordnungsgemäß zu befestigen. So vermeiden Sie Verletzungen der Fahrzeuginsassen bei einer Kollision oder einem plötzlichen Bremsmanöver.
 - Verwenden Sie zum Sichern des Rollstuhls und des Fahrzeuginsassens NIEMALS den gleichen Sicherheitsgurt.
1. Falten Sie den Rollstuhl gemäß den Anweisungen in Kapitel 2.5 auf die kleinste Größe.
 2. Bewahren Sie den Rollstuhl und seine Räder im Gepäckraum oder hinter dem Beifahrersitz auf. Falls Gepäckraum und Fahrgastzelle NICHT voneinander getrennt sind, muss der Rahmen des Rollstuhls sicher am Fahrzeug befestigt werden.

2.4.3 Nutzung des Rollstuhls als Sitz in einem PKW

 **WARNUNG** Gefahr von Verletzungen und/oder Beschädigungen

- Der Rollstuhl hat den Crash-Test gemäß ISO 7176-19: 2008 bestanden und ist konstruiert und ausgelegt zur Nutzung als Sitz in einem PKW nur in Blickrichtung nach vorne.
- Ein Rollstuhlrückhaltegurt ist nicht als Sicherheitsgurt zu verwenden.

Der Rollstuhl wurde getestet unter Verwendung eines 5-Punkt Rückhaltegurtsystems (Rollstuhl) und eines 3-Punkt-Sicherheitsgurtes (Nutzer). Grundsätzlich ist, wenn möglich, bevorzugt ein vorhandener PKW-Sitz zu verwenden und der Rollstuhl sicher im Gepäckraum zu verstauen.

Sicheres Verzurren des Rollstuhls innerhalb des PKW's:

1. Prüfen Sie, ob der PKW mit einem PKW-Gurtsystem und einem Sicherheitsgurt gemäß ISO 10542 ausgestattet ist.
2. Prüfen Sie, dass alle Komponenten des PKW-Gurtsystems (Rollstuhl) und des Sicherheitsgurtes (Nutzer) nicht ausgefranst, verschmutzt, beschädigt oder geknickt sind.
3. Ist der Rollstuhl mit verstellbaren Sitz-/Rückensystemen ausgestattet, sind diese in eine Position zu bringen, die den Nutzer in eine möglichst aufrechte Sitzposition bringt. Lässt der Zustand des Nutzers dies nicht zu, sind die Risiken die den Transport in einer anderen Position zur Folge haben, festzustellen und zu bewerten.
4. Entfernen Sie alle angebauten Teile und Zubehörteile, wie z.B. Körbe, Taschen, Beatmungsequipment, usw., und verstauen Sie diese gesondert sicher im Gepäckraum.
5. Positionieren Sie den Rollstuhl in Vorwärtsrichtung mittig zwischen den Schienen des PKW-Gurtsystems, die im Boden des PKW's eingebaut sind.
6. Montieren Sie die vorderen Gurte des Rollstuhl-Gurtsystems gemäß den Angaben des jeweiligen Herstellers an den angegebenen Positionen am Rollstuhl (Abb. 1). Diese Stellen sind am Rollstuhl mit einem Symbol markiert (Abb. 2).

7. Ziehen Sie den Rollstuhl soweit nach hinten, bis die vorderen Gurte gespannt sind.
8. Betätigen Sie nun die Bremsen des Rollstuhls.
9. Montieren Sie die hinteren Gurte des Rollstuhl-Gurtsystems gemäß den Angaben des jeweiligen Herstellers an den angegebenen Positionen am Rollstuhl (Abb. 1). Diese Stellen sind am Rollstuhl mit einem Symbol markiert (Abb. 2).

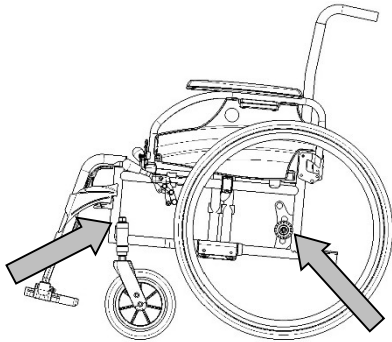


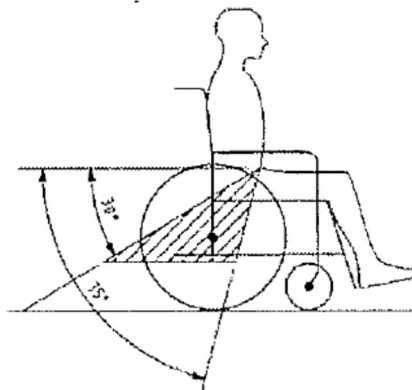
Abb. 1



Abb. 2

Sicheres Anschnallen des Nutzers:

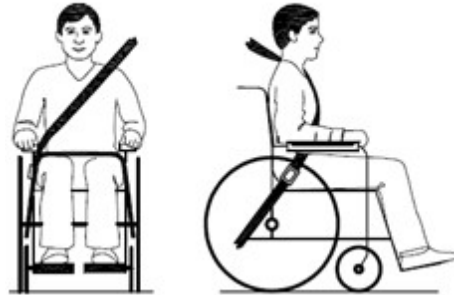
1. Entfernen Sie beide Armlehnen des Rollstuhls.
2. Wenn vorhanden, legen Sie den Rollstuhlgrurt an.
3. Legen Sie den Sicherheitsgurt des PKW's an gemäß den Angaben des jeweiligen Herstellers.
4. Legen Sie den Gurt so über dem vorderen Becken des Nutzers an, dass der Gurtriemen in einem Winkel zwischen 30° und 75° Grad zur Horizontalen liegt (siehe auch nachfolgende Zeichnung).



5. Je größer (steiler) der Winkel des Gurtriemens innerhalb der markierten Fläche, desto besseren Halt kann das Gurtsystem bieten.
6. Legen Sie den Gurt stramm gemäß den Angaben des jeweiligen Herstellers an, ohne den Nutzer zu verletzen oder zu behindern.
7. Stellen Sie sicher, dass die Gurte in einer direkten Linie zur Gurtaufhängung des PKW's angebracht werden und dass keine Knicke und Verdrehungen in den Riemen sichtbar sind, zum Beispiel durch die Hinterradachse.
8. Die Armlehnen können angebracht werden. Stellen Sie sicher, dass die Gurte nicht verdreht sind und der Gurt stramm am Körper des Nutzers liegt. Bauteile des Rollstuhls (Armlehnen, Räder usw.) dürfen den Gurt nicht vom Körper des Nutzers ferngehalten.

Bauteile des Rollstuhls dürfen den Gurt nicht vom Körper des Nutzers fernhalten (z.B. Armlehnen, Räder usw.)

Gurte sollen kompletten Kontakt über den Brustkorb haben bis zum seitlichen Becken und Oberschenkel



2.5 Zusammenklappen/Auseinanderklappen des Rollstuhls



Klemmgefahr! Achten Sie darauf, dass Ihre Finger nicht zwischen die Rollstuhlkomponenten gelangen.

So falten Sie den Rollstuhl zusammen:

1. Klappen Sie die Fußplatten hoch, oder entfernen Sie die Fußauflagen (siehe § 3.1).
2. Fassen Sie den Sitz an der Vorder- und Hinterseite an, und ziehen Sie ihn nach oben.
3. Drücken Sie gegen die Handgriffe, um den Rollstuhl weiter zusammenzuklappen.

So entfalten Sie den Rollstuhl:

1. Stellen Sie sich auf die Rückseite der Rollstuhl.
2. Nutzen Sie die Schiebegriffe, um den Rollstuhl so weit wie möglich zu öffnen.
3. Stellen Sie sich auf die Vorderseite der Rollstuhl.
4. Drücken Sie die beiden Holme, an denen der Sitz befestigt ist, weiter nach unten.

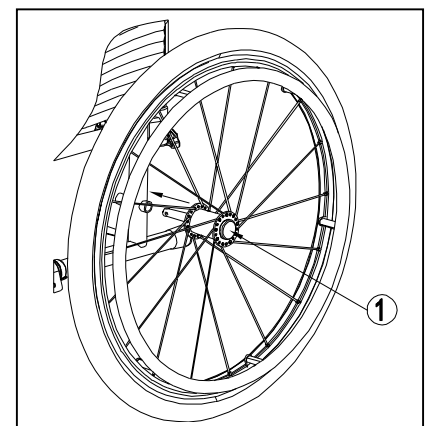
2.6 Montieren/Abnehmen der Hinterräder (sofern vorhanden)

So entfernen Sie die Hinterräder

1. Halten Sie die Taste (1) gedrückt, während Sie die Radachse aus dem Loch im Rahmen schieben.
2. Wiederholen Sie dies für das andere Rad und setzen Sie den Rollstuhl vorsichtig auf die hinteren Rahmenrohre.

So montieren Sie die Hinterräder

1. Nehmen Sie eines der Hinterräder und heben Sie den Rollstuhl an einer Seite an.
2. Halten Sie die Taste (1) gedrückt, während Sie das Rad vollständig auf die Achse schieben.
3. Lassen Sie die Taste los, um das Rad zu verriegeln. Stellen Sie sicher, dass es einrastet.
4. Wiederholen Sie dies für das andere Rad.
5. Stellen Sie sicher, dass beide Räder fest sitzen.



2.7 Lagerung

- i** Stellen Sie sicher, dass Ihr Rollstuhl in einer trockenen Umgebung gelagert wird, um Schimmelbildung und die Beschädigung der Polsterung zu vermeiden, siehe auch Kapitel 6.

3 Verwendung

 VORSICHT

Gefahr von Verletzungen und/oder Beschädigungen

- Lesen Sie bitte zunächst die vorhergehenden Abschnitte, um sich über die Benutzungsbedingungen zu informieren. Benutzen Sie den Rollstuhl NICHT, bevor Sie alle Anweisungen aufmerksam gelesen und vollständig verstanden haben.
- Bei Zweifeln oder Fragen wenden Sie sich bitte zwecks Hilfe an Ihren Fachhändler, Pflegedienst oder Fachberater.
- Stellen Sie sicher, dass Ihre Hände, Kleidung, Gürtel, Schnallen oder Schmuck während des Gebrauchs oder der Einstellung nicht von Rädern oder anderen beweglichen Teilen eingeklemmt werden.

3.1 An- oder Abbauen der Fußauflagen

 VORSICHT

Verletzungsgefahr

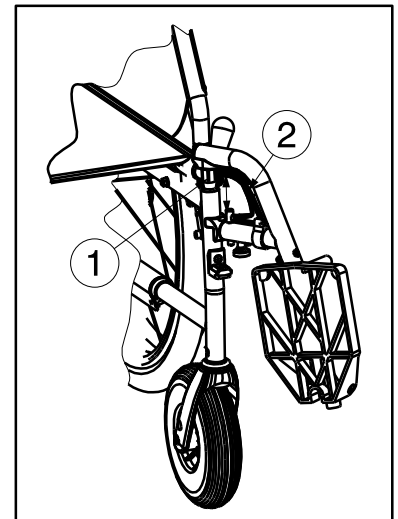
- Achten Sie darauf, dass die Fußauflagen vor Gebrauch des Rollstuhls fest arretiert sind.
- Halten Sie Objekte vom Schwenkbereich der Fußauflagen fern während des an- oder Abbauens der Fußauflagen.

Die Fußauflagen werden wie folgt montiert:

1. Halten Sie die Fußauflage seitlich an die Außenseite des Rollstuhlrahmens und stecken Sie den Zapfen (1) in den Rahmen.
2. Drehen Sie die Fußauflage nach innen bis diese einrasten.
3. Schwenken Sie die Fußplatte nach unten.

So bauen Sie die Fußauflagen ab:

1. Ziehen Sie am Hebel (2).
2. Schwenken Sie die Fußauflage an die Außenseite des Rollstuhls, bis sie sich aus der Führung löst.
3. Ziehen Sie die Fußauflage mit dem Zapfen aus dem Rahmen (1).



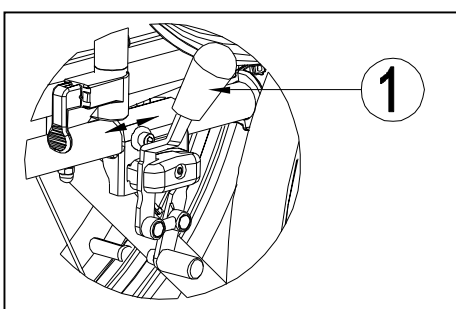
3.2 Betätigen der Bremsen

 WARNUNG

Verletzungsgefahr

- Die Bremsen dienen nicht dazu, die Bewegung des Rollstuhls abzubremsen. Sie dienen ausschließlich dazu, unbeabsichtigte Bewegungen des Rollstuhls zu verhindern.
- Die ordnungsgemäße Funktion der Bremsen kann durch Verschleiß oder Schmutz (auch Wasser, Öl, Schlamm usw.) beeinträchtigt werden. Überprüfen Sie daher vor jeder Rollstuhlnutzung den Zustand der Reifen.
- Die Bremsen sind einstellbar und können verschleifen. Überprüfen Sie daher vor jeder Rollstuhlnutzung den Zustand der Bremsen.
- Achten Sie darauf, dass der Rollstuhl auf einer flachen, horizontalen Fläche steht, bevor Sie die Bremsen lösen. Lösen Sie niemals beide Bremsen gleichzeitig.

So betätigen Sie die Bremsen:



1. Drücken Sie die Bremshebel (1) nach vorn, bis sie ein deutliches Klicken fühlen.

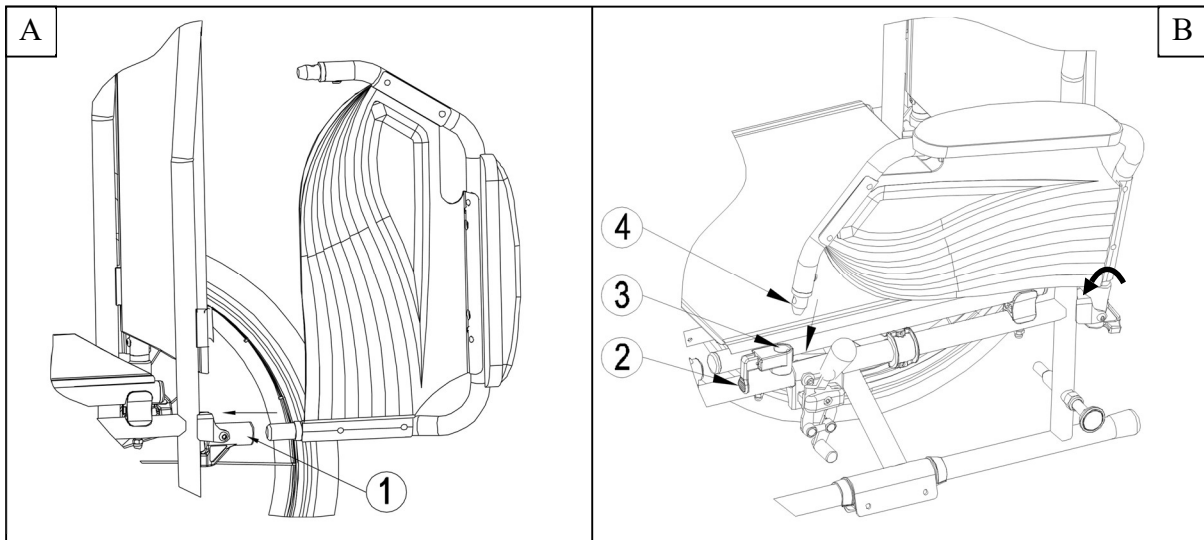
So lösen Sie die Bremsen:

1. Lösen Sie eine Bremse, indem Sie den Bremshebel (1) nach hinten ziehen.
2. Fassen Sie den Greifreifen des Rads mit der gelösten Bremse mit Ihrer Hand.
3. Lösen Sie die zweite Bremse, indem Sie den Bremshebel (1) nach hinten ziehen.

3.3 An-/Abbauender Armlehnen

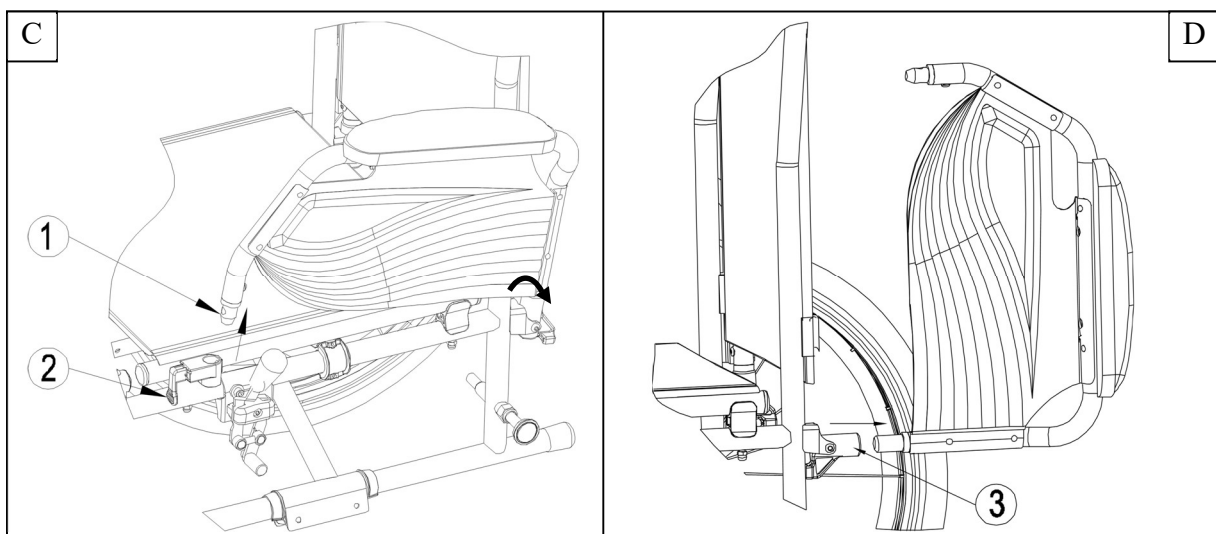
WARNUNG Verletzungsgefahr

- Achten Sie darauf, dass die Armlehnen vor Gebrauch des Rollstuhls fest arretiert sind.
 - Halten Sie Ihre Finger oder Kleidungsstücke fern von der Unterseite der Armlehne.
1. Schieben Sie das hintere Rohr der Armlehne in die Rohraufnahme (1) (Abb. A).
 2. Stellen Sie sicher, dass die Armlehne korrekt eingehangen sind.
 3. Klappen Sie den Armlehne nach vorne.
 4. Ziehen Sie den Hebel (2) am vordern Armlehnenende (3) nach unten (Abb. B).
 5. Schieben Sie das vordere Rohr der Armlehne (4) in die Rohraufnahme (3) (Abb B).



So entriegeln Sie eine Armlehne und bauen sie ab:

1. Ziehen Sie den Hebel (2) und ziehen Sie die Vorderseite der Armlehne (1) nach oben (Abb C).
2. Klappen Sie die Armlehne nach hinten.
3. Zum Abbauen der Armlehne, ziehen den hinteren Teil der Armlehne aus der Aufnahme (3) (Abb D).

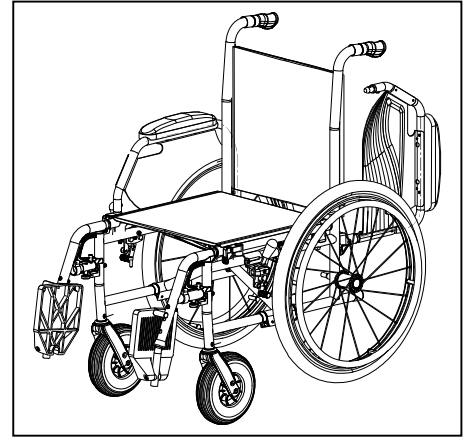


3.4 Setzen in den Rollstuhl

**WARNUNG**

Gefahr von Personen- und/oder Sachschäden

- Falls Sie sich nicht allein sicher in den Rollstuhl oder aus diesem heraus umsetzen können, bitten Sie jemanden um Hilfe.
 - Stellen Sie sich nicht auf die Fußplatten.
1. Positionieren Sie den Rollstuhl so nah wie möglich an den Stuhl, die Couch oder das Bett, zu dem bzw. von dem das Umsetzen vorgenommen werden soll.
 2. Achten Sie darauf, dass beide Bremsen des Rollstuhls betätigt sind.
 3. Klappen Sie die Fußplatten nach oben, damit Sie sich nicht versehentlich darauf stellen.
 4. Wenn Sie sich von der Seite in den Rollstuhl setzen, klappen Sie die Armlehne an der entsprechenden Seite nach oben (Siehe § 3.3).
 5. Setzen Sie sich in den Rollstuhl.



3.4.1 Prüfen Sie, ob die Sitzposition korrekt ist

Einige Empfehlungen für die komfortable Verwendung des Rollstuhls:

- Setzen Sie sich möglichst weit nach hinten, so dass Ihr Rücken an der Rückenlehne anliegt.
- Achten Sie darauf, dass Ihre Oberschenkel möglichst horizontal stehen. Gegebenenfalls müssen Sie die Länge des Fußauflagen einstellen (siehe § 4.3).

3.5 Fahren mit dem Rollstuhl

**VORSICHT**

Gefahr von Verletzungen und Schäden

- Achten Sie vor jeder Benutzung auf Folgendes:
 - Feststellbremsen funktionieren einwandfrei.
 - Reifen sind in gutem Zustand, siehe Kapitel 5.
- Verhindern Sie, dass Ihre Finger von den Radspeichen erfasst werden.
- Fassen Sie die Greifringe nicht mit nassen Händen an.
- Verhindern Sie das Einklemmen Ihrer Hände an den Greifringen, wenn Sie schmale Passagen passieren.
- Fahren Sie NICHT auf Steigungen, Hindernissen, Stufen oder Bordsteinen, die größer sind als in Kapitel 6 angegeben.
- Wenn Sie auf einem (kleinen) Hang stehen bleiben, benutzen Sie die Bremsen.
- Achten Sie bei Bergauf- oder -abfahrten darauf, dass alle vier Räder Bodenkontakt haben.
- Fahren Sie auf Gefällen so langsam wie möglich.
- Bleiben Sie auf öffentlichen Straßen immer auf der Straße.
- Achten Sie darauf, wenn die Straße Löcher oder Lücken aufweist, die zum Einschluss der Räder führen können.
- Vermeiden Sie Steine und andere Gegenstände, die die Räder blockieren könnten.
- Stellen Sie sicher, dass die Fußplatten nicht den Boden berühren, wenn Sie ein Hindernis nehmen.
- Verwenden Sie Ihren Rollstuhl nicht auf einer Rolltreppe.
- Falls vorhanden, tragen Sie Ihren Sicherheitsgurt.
- Berücksichtigen Sie stets den Schwenkbereich der Fußplatte, um keine Passanten zu verletzen oder Gegenstände zu beschädigen.
- Wenn Sie nicht genug Erfahrung mit dem Rollstuhl haben, wenden Sie sich an einen Begleiter. Halten Sie Ihre Arme von den Rädern fern und halten Sie die Füße auf der Fußplatte.

- Treppen sollten immer mit Hilfe von zwei Begleitpersonen verhandelt werden.
- Versuchen Sie niemals Treppen zu benutzen, die nicht für Rollstühle geeignet sind.

3.5.1 Ihren Rollstuhl fahren:

1. Lösen Sie die Bremsen.
2. Bringen Sie beide Greifring in die höchste Position.
3. Lehnen Sie sich nach vorne und drücken Sie die Greifringe nach vorne, bis Ihre Arme gerade sind.
4. Bewegen Sie Ihre Hände zurück an die Oberseite der Greifringe und wiederholen Sie die Bewegung.

4 Zusammenbau und Einstellung

Die Anweisungen in diesem Kapitel richten sich an den Fachhändler.

Der Vermeiren Jazz S50 wurde so konzipiert, nur ein Minimum an Ersatzteilen erfordert. Daher ist es nicht erforderlich, dass ein spezieller Vorrat an Ersatzteilen angelegt wird.

Um einen Fachhändler in Ihrer Nähe zu finden, stehen Ihnen unsere Niederlassungen gerne zur Verfügung.



WARNUNG

Gefahr von Verletzungen und Schäden

- Nutzen Sie das Produkt nur gemäß den technischen Vor- und Angaben dieser Gebrauchsanweisung.
- Änderungen an den zulässigen Einstellungen können die Stabilität des Rollstuhls verändern (Kippen nach hinten oder zur Seite).

4.1 Werkzeuge

Für die Montage der Rollstuhl und für Einstellungen werden die folgenden Werkzeuge benötigt:

- Schraubenschlüsselsatz Größe 7 bis 22
- Inbusschlüsselsatz Größe 3 bis 8
- Kreuzschlitzschraubendreher

4.2 Lieferumfang

Im Lieferumfang der Jazz S50 von Vermeiren ist Folgendes enthalten:

- 1 Rahmen mit Armlehnen, Hinterrädern und Vorderrädern (Sitzhöhe von 500 mm)
- 1 Paar Fußauflagen
- Werkzeuge
- Gebrauchsanweisung
- Zubehör (optional)
- Pumpe

4.3 Einstellen der Fußauflagen

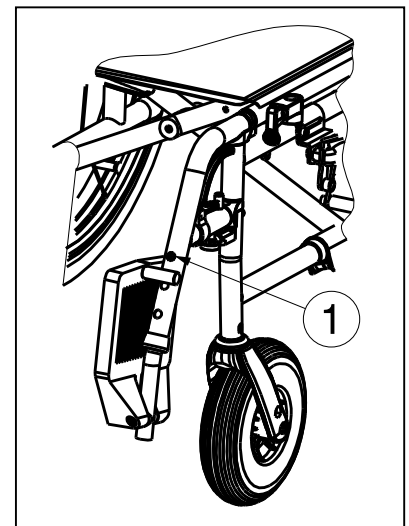


WARNUNG

Risiko der Beschädigung – Achten Sie darauf, dass die Fußauflagen den Boden nicht berührt. Achten Sie auf einen Abstand von mindestens 60 mm zwischen der Fußauflage und dem Boden.

So stellen Sie die Länge der Fußauflagen ein:

1. Entfernen Sie die Schraube (1).
2. Stellen Sie die Fußauflage auf eine angenehme Länge ein.
3. Setzen Sie die Schraube (1) wieder ein und ziehen diese handfest an.

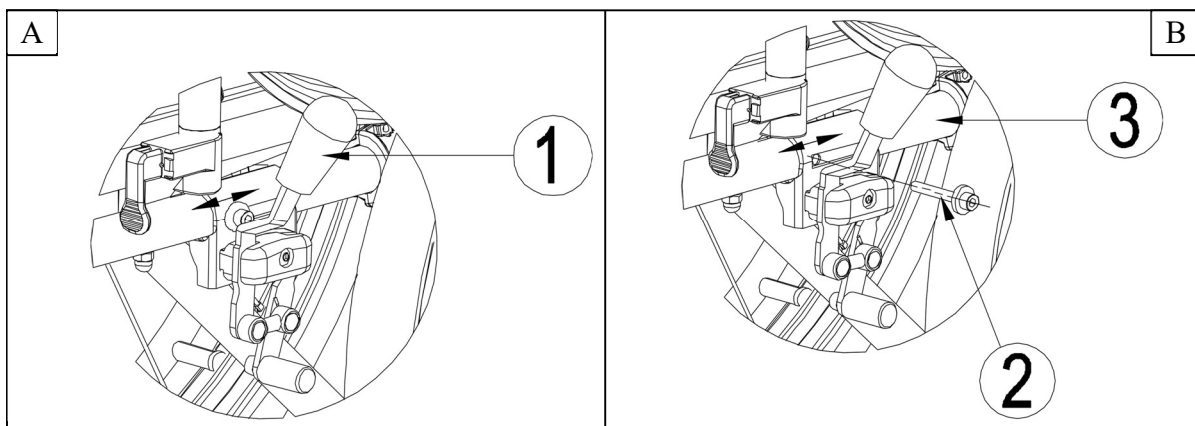


4.4 Einstellen der Bremsen

⚠️ WARNUNG

Verletzungsgefahr – Bremsen dürfen nur vom Fachhändler eingestellt werden.

1. Bauen Sie die Räder gemäß den Anweisungen in § 2.6 an.
2. Lösen Sie die Bremsen, indem Sie den Hebel (1) nach hinten ziehen (*Abb. A*).
3. Lösen Sie die Bolzen (2) so dass der Bremsmechanismus über das Rahmenrohr (3) geschoben werden kann (*Abb. B*).
4. Ziehen Sie den Bremsmechanismus über die Rahmenrohr (3) in die gewünschte Position (*Abb. B*). Das Einstellen der Bremsen machen Sie in der Reichweite von den markierten Strichen auf dem Bremsmechanismus.
5. Ziehen Sie die Bolzen (2) von Hand fest (*Abb. B*).
6. Prüfen Sie die ordnungsgemäße Funktion der Bremsen.
7. Wiederholen Sie die oben stehenden Schritte gegebenenfalls, bis die Bremsen korrekt eingestellt sind.



4.5 Wechseln der Luftreifen

⚠️ WARNUNG

Gefahr von Personen- und/oder Sachschäden

- Bei unsachgemäßer Handhabung können Schäden an der Felge entstehen. Lassen Sie diese Tätigkeiten vorzugsweise vom Fachhandel durchführen.
- Stellen Sie beim Aufziehen eines Reifens sicher, dass keine Gegenstände oder Körperteile zwischen Reifen und Felge eingeklemmt werden.
- Achten Sie bei der Befüllung der Reifen immer auf den korrekten Fülldruck. Diesen können Sie seitlich am Reifen ablesen.
- Verwenden Sie ausschließlich vorschriftsmäßige Reifenfüllvorrichtungen, die den Druck in bar anzeigen. Alternativ können Sie die mitgelieferte Luftpumpe verwenden. Schäden durch Verwendung nicht vom Hersteller gelieferter Luftfülleinrichtungen, unterliegen nicht der Garantie.

- i**
- Stellen Sie stets sicher, dass die Reifen über einen ausreichenden Luftdruck verfügen.
 - Für Räder, die nicht vom Hersteller stammen, übernehmen wir keine Garantie.
 - Eine sachgerechte Montage ist nur durch den Fachmann gewährleistet. Bei Arbeiten, die nicht vom Fachmann ausgeführt werden, entfällt der Garantieanspruch.

Sollten Sie die Reifen oder Schläuche auswechseln wollen, beachten Sie bitte Folgendes:

1. Lassen Sie die Luft komplett aus dem Schlauch.
2. Führen Sie einen Reifenheber zwischen Reifen und Felge ein.
3. Drücken Sie den Reifenheber langsam und vorsichtig nach unten. Dadurch wird der Reifen über den Felgenrand gezogen.
4. Wenn Sie danach mit dem Reifenheber an der Felge entlangfahren, springt der Reifen aus der Felge.

5. Nun können Sie den Reifen von der Felge abnehmen und dann den Schlauch entfernen.

Prüfen Sie das Felgenbett und die Reifeninnenwand auf Fremdkörper und reinigen Sie diese gegebenenfalls gründlich. Überprüfen Sie den Zustand des Felgenbetts, besonders an der Ventilöffnung.

Verwenden Sie bitte nur Originalersatzteile. Für Beschädigungen kann keine Gewährleistung übernommen werden, wenn diese durch Ersatzteile hervorgerufen wurden, die keine Originalersatzteile sind. Setzen Sie sich mit Ihrem Fachhändler in Verbindung.



Schieben Sie das Felgenband über das Schlauchventil und stecken Sie dieses dann in die Felge. Jetzt lässt sich das Felgenband mühelos aufziehen. Überprüfen Sie, ob alle Speichenköpfe abgedeckt sind (Bei Verwendung von Kunststofffelgen wird kein Felgenband eingesetzt).



Nehmen Sie nun den Reifen und drücken Sie diesen hinter dem Ventil beginnend über den Felgenrand. Pumpen Sie den Schlauch etwas auf, bis er eine runde Form annimmt, und drücken Sie ihn unter den Reifen.



Wenn der Schlauch problemlos und ohne Einknickungen in den Reifen passt (falls Einknickungen auftreten: lassen Sie etwas Luft aus dem Schlauch ab), können Sie die obere Seite des Reifens mit beiden Händen leicht auf die Felge drücken. Beginnen Sie dabei am Luftventil.

Vergewissern Sie sich, dass der Schlauch rundherum und an beiden Seiten nicht zwischen Reifenwulst und Felge eingeklemmt ist. Schieben Sie das Ventil leicht nach innen und ziehen Sie es wieder heraus, damit der Reifen im Ventilbereich gut sitzt.

Füllen Sie beim Aufpumpen erst soviel Luft ein, dass sich der Reifen noch gut mit dem Daumen eindrücken lässt. Weist die Kontrolllinie auf beiden Reifenseiten den gleichen Abstand zum Felgenrand auf, sitzt der Reifen zentrisch. Wenn nicht, lassen Sie die Luft wieder ab und richten Sie den Reifen neu aus.

Pumpen Sie nun den Reifen bis zum maximalen Betriebsdruck auf (Fülldruck beachten!) und drehen Sie die Staubkappe auf das Ventil.

5 Wartung

5.1 Wartungspunkte

 VORSICHT

Gefahr von Verletzungen und Schäden

Reparaturen und Teileaustausch dürfen nur von geschultem Personal durchgeführt werden und es dürfen nur Originalersatzteile von Vermeiren verwendet werden.

i Die Wartungshäufigkeit hängt von der Häufigkeit und Intensität der Nutzung ab. Wenden Sie sich an Ihren Händler, um einen allgemeinen Zeitplan für Inspektion/Wartung/Reparatur zu vereinbaren.

Vor jeder Benutzung

Kontrollieren Sie folgende Punkte:

- Alle Komponenten: Vorhanden und nicht beschädigt oder verschlissen sind.
- Alle Komponenten: Reinigung, siehe Kapitel 5.2.2.
- Räder, Rückenlehne, Sitz, Wadenlehnen, Armlehnen, Fußplatte: Sind korrekt gesichert.
- Zustand der Räder/Reifen (siehe Kapitel 5.2.1).
- Zustand der Rahmenteile: Keine Deformation, Instabilität, Schwachstelle oder lose Verbindungen.
- Sitz, Rückenlehne, Armpolster, Wadenpolster und Kopfstütze (falls vorhanden): Kein übermäßiger Verschleiß (wie Eindellungen, Beschädigungen oder Risse).
- Bremsen: Unbeschädigt und funktionsfähig.

Wenden Sie sich wegen etwaiger Reparaturen oder Ersatzteile an Ihren Fachhändler.

Jährlich oder häufiger

Lassen Sie Ihren Rollstuhl mindestens einmal pro Jahr oder häufiger von Ihrem Fachhändler inspizieren und warten. Die minimale Wartungshäufigkeit ist von der Benutzung abhängig und sollte daher zusammen mit Ihrem Fachhändler abgesprochen werden.

5.2 Wartungshinweise

5.2.1 Räder und Reifen

i Die korrekte Funktionsweise der Bremsen ist vom Zustand der Reifen abhängig und kann sich infolge von Verschleiß und Verunreinigung (Wasser, Öl, Matsch usw.) verändern.

Achten Sie darauf, dass keine Drähte, Haare, Sand oder Fasern an den Rädern anhaften.

Überprüfen Sie regelmäßig das Reifenprofil. Wenn die Profiltiefe weniger als 1 mm beträgt, muss der Reifen ausgetauscht werden. Wenden Sie sich diesbezüglich bitte an Ihren Fachhändler.

Pumpen Sie jeden Reifen mit dem korrekten Druck auf (siehe Angabe auf dem Reifen).

5.2.2 Reinigung

 VORSICHT

Beschädigungsgefahr durch Feuchtigkeit

- Benutzen Sie keinesfalls einen Wasserschlauch oder Hochdruckreiniger, um den Rollstuhl zu reinigen.

Wischen Sie alle festen Teile des Rollstuhls mit einem feuchten (nicht durchnässten) Tuch ab. Benutzen Sie ggf. eine milde Seife, die für Lacke und Kunststoffe geeignet ist.

Die Polsterung kann mit lauwarmem Wasser und einer milden Seife gereinigt werden. Verwenden Sie keine scheuernden Reinigungsmittel.

5.2.3 Desinfektion

DE

VORSICHT

Beschädigungsgefahr

- Eine Desinfektion darf nur von dafür geschultem Personal durchgeführt werden. Wenden Sie sich hierfür an Ihren Fachhändler.

5.3 Störungsbeseitigung

Auch bei ordnungsgemäßer Benutzung Ihres Rollstuhls kann ein technisches Problem auftreten. In diesem Fall wenden Sie sich bitte an Ihren Fachhändler.

 WARNUNG

Gefahr von Verletzungen und Schäden am Rollstuhl.

- Versuchen Sie NIEMALS, Ihren Rollstuhl selbst zu reparieren.

Die nachstehend genannten Symptome können auf ein ernsthaftes Problem hindeuten. Sie sollten sich daher stets an Ihren Fachhändler wenden, wenn eine der folgenden Situationen eintritt:

- Ungewöhnliche Geräusche
- Ungleichmäßige Abnutzung an einem der Reifen
- Ruckartige Bewegungen
- Rollstuhl zieht zu einer Seite
- Beschädigte oder gebrochene Radeinheiten

5.4 Voraussichtliche Nutzungsdauer

Die durchschnittliche Nutzungsdauer Ihres Rollstuhls beträgt 5 Jahre. Je nach Nutzungshäufigkeit, Betriebsbedingungen und Wartung kann die Nutzungsdauer Ihres Rollstuhls länger oder kürzer sein.

5.5 Wiedereinsatz

Lassen Sie den Rollstuhl vor jedem Wiedereinsatz gemäß den Anweisungen in §5.1 und §5.2 desinfizieren, inspizieren und warten.

5.6 Nutzungsende

Am Ende seiner Nutzungsdauer muss Ihr Rollstuhl gemäß den geltenden Umweltvorschriften entsorgt werden. Dazu wird er im besten Fall zerlegt, um den Transport wiederverwertbarer Teile zu erleichtern.

6 Technische Daten

Die nachstehenden technischen Daten gelten für diesen Rollstuhl nur bei Standardeinstellungen und optimalen Umgebungsbedingungen. Berücksichtigen Sie diese Details bei der Benutzung.

Die Werte gelten nicht mehr, falls Ihr Rollstuhl modifiziert wurde, beschädigt ist oder starke Verschleißerscheinungen aufweist.

Tabelle 1: Technische Daten

Hersteller	Vermeiren
Typ	Manueller Rollstuhl
Modell	Jazz S50

Beschreibung	Technische Daten
Max. zulässiges Gewicht des Rollstuhlfahrers	130 kg
Gesamtlänge mit Fußauflagen	1120 mm
Effektive Sitzbreite	390 mm 420 mm 440 mm 460 mm 480 mm 500 mm
Gesamtbreite (abhängig von der Sitzbreite)	565 mm 595 mm 615 mm 635 mm 655 mm 675 mm
Länge zusammengeklappt (ohne Fußauflage)	825 mm
Breite zusammengeklappt	290 mm
Höhe zusammengeklappt	935 mm
Gesamtgewicht	16,60 kg
Gewicht des schwersten Teils	8,05 kg
Gewichte von Teilen, die demontierbar oder abnehmbar sind	Fußauflagen: 1,80 kg; Armlehnen: 1,80 kg; Hinterräder: 4,95 kg
Statische Stabilität, bergab	15°
Statische Stabilität, bergauf	10°
Statische Stabilität, seitwärts	15°
Effektive Sitztiefe	450 mm
Höhe der Sitzoberfläche an der Vorderkante	500 mm
Sitzwinkel	5°
Rückenlehnenhöhe	420 mm
Rückenlehnenwinkel	0°
Abstand zwischen Fußauflagen und Sitz	370 - 440 mm
Winkel zwischen Sitz und Fußauflagen	7°
Abstand zwischen Armlehne und Sitz	220 mm
Länge der Armlehne zur Unterfahrbarkeit	310 mm
Greifreifendurchmesser	535 mm
Horizontale Lage der Achse (Deflektion)	10 mm
Kleinster Wendekreis	1190 mm

**DE**

Durchmesser der Hinterräder	24" (optional 12")
Reifendruck, Hinterräder (Antriebsräder),	max. 3,5 bar
Durchmesser der Lenkräder	200 mm
Reifenfülldruck Lenkräder (vorn)	max. 2,5 bar
Temperaturbereich für Lagerung und Nutzung	5 °C +41 °C
Luftfeuchtigkeitsbereich für Lagerung und Nutzung	30% 70%
Technische Änderungen vorbehalten. Messtoleranzen ± 15 mm / 1,5 kg / 1,5°	

Indice

Indice	1
Premessa	2
1 Il prodotto	3
1.1 Accessori	3
2 Prima dell'uso	4
2.1 Uso previsto	4
2.2 Significato dei simboli.....	4
2.3 Istruzioni generali di sicurezza	4
2.4 Trasporto.....	5
2.5 Chiusura - apertura della carrozzina	7
2.6 (S)montaggio delle ruote posteriori (se disponibile)	7
2.7 Magazzinaggio.....	7
3 Utilizzo	8
3.1 Montaggio o rimozione della pedana	8
3.2 Utilizzo dei freni.....	8
3.3 Montaggio o rimozione dei braccioli	9
3.4 Trasferimento della carrozzina all'interno e all'esterno.....	10
3.5 Posizione corretta della carrozzina	10
3.6 Spostamenti della carrozzina	10
4 Installazione e regolazione	12
4.1 Attrezzi	12
4.2 Modalità di consegna	12
4.3 Regolazione dei poggiatesta	12
4.4 Regolazione dei freni	13
4.5 Cambio degli pneumatici.....	13
5 Manutenzione	15
5.1 Punti di manutenzione.....	15
5.2 Istruzioni per la manutenzione	15
5.3 Soluzione dei problemi di funzionamento.....	16
5.4 Durata prevista.....	16
5.5 Utilizzi successivi	16
5.6 Fine vita	16
6 Specifiche tecniche	17

Premessa

IT

Congratulazioni! Ora possiede una carrozzina Vermeiren!

Questa carrozzina è realizzata da personale qualificato e competente. Essa è progettata e prodotta secondo gli elevati standard di qualità garantiti da Vermeiren.

Leggere attentamente questo manuale, in quanto aiuta a familiarizzarsi con il funzionamento, le prestazioni e le limitazioni della carrozzina. Per eventuali ulteriori domande successive alla lettura di questo manuale, rivolgersi al proprio rivenditore specializzato, che sarà lieto di fornire un supporto.

Nota importante

Per garantire la propria sicurezza e prolungare la durata del prodotto, trattarlo con cura e farlo controllare e/o sottoporlo a manutenzione con regolarità.

Questo manuale rispecchia gli sviluppi più recenti del prodotto. Vermeiren si riserva il diritto di introdurre modifiche di questo tipo di prodotto senza alcun obbligo di adattare o sostituire i prodotti analoghi consegnati in precedenza.

Le immagini vengono utilizzate per chiarire le istruzioni contenute nel manuale. I dettagli del prodotto raffigurato possono essere diversi da quelli del prodotto in uso.

Informazioni disponibili

Sul sito Web di Vermeiren, all'indirizzo <http://www.vermeiren.com/>, è sempre disponibile la versione più recente delle informazioni contenute in questo manuale. Visitare con regolarità tale sito per verificare l'esistenza di eventuali aggiornamenti.

Le persone ipovedenti possono scaricare la versione elettronica di questo manuale e farlo leggere da un software applicativo di sintesi vocale.



Manuale di istruzioni

Per l'utente e il rivenditore specializzato



Istruzioni di installazione

Per il rivenditore specializzato



Manuale di assistenza per le carrozzine

Per il rivenditore specializzato



Dichiarazione di conformità CE

Il prodotto

IT



1. Crociera
2. Impugnature
3. Schienale
4. Imbottitura dei braccioli
5. Braccioli
6. Ruote motrici (ruote posteriori)
7. Corrimano
8. Freni
9. Leva di ribaltamento
10. Ruote direttrici (ruote anteriori)
11. Pedane
12. Appoggiapiedi
13. Sedile
14. Posizione della targhetta di identificazione

1.1 Accessori

Per il modello Jazz S50 sono disponibili i seguenti accessori:

- Ruote da viaggio (B86)
- Braccioli (B05)

Per informazioni su ulteriori accessori, rivolgersi al rivenditore specializzato che saprà consigliare la soluzione migliore in base alle esigenze.

Prima dell'uso

IT

2.1 Uso previsto

Questo paragrafo fornisce una breve descrizione dell'uso previsto della carrozzina. Gli altri paragrafi aggiungono inoltre alle istruzioni ulteriori avvertenze di rilievo. Vermeiren desidera in tal modo portare all'attenzione dell'utente gli eventuali usi errati che possono presentarsi.

- **Indicazioni e controindicazioni:** L'occupante può controllare direttamente il movimento della carrozzina oppure farsi spingere da un accompagnatore. La carrozzina è destinata a persone con difficoltà motorie o incapacità di deambulazione. Le diverse versioni di allestimento degli accessori e la concezione modulare consentono l'utilizzo della carrozzina per usi geriatrici e da parte di persone con impossibilità/difficoltà di deambulazione in seguito a: paralisi, amputazione di arti inferiori, difetti o deformazioni degli arti inferiori, contratture o lesioni articolari, insufficienza cardiaca e cardiocircolatoria, disturbi dell'equilibrio, cachessia (deterioramento della massa muscolare).
- La carrozzina può essere utilizzata sia all'interno che in spazi esterni.
- La carrozzina è destinata al trasporto di una sola persona di peso non superiore a 130 kg. Essa non è viceversa progettata per il trasporto di merci od oggetti, né per qualunque uso diverso da quello descritto in precedenza.
- Utilizzare esclusivamente accessori e ricambi approvati da Vermeiren.
- Leggere tutte le informazioni tecniche di dettaglio e le limitazioni della carrozzina, riportate nel capitolo 0.
- La garanzia del prodotto presuppone un uso e una manutenzione normali del medesimo, come descritti in questo manuale. I danni al prodotto dovuti a uso improprio o manutenzione carente causano la decadenza della garanzia.

2.2 Significato dei simboli



Peso massimo dell'utente, in kg



Uso al coperto / all'aperto



Pendenza massima di sicurezza, in ° (gradi).



Indicazione del modello

2.3 Istruzioni generali di sicurezza

- Non utilizzare la carrozzina se si è sotto l'effetto di alcool, farmaci o altre sostanze in grado di influire sulle proprie capacità di manovra.
- Non dimenticare che alcune parti della carrozzina possono diventare molto calde o fredde a causa della temperatura ambiente, della radiazione solare o di dispositivi di riscaldamento. Prestare attenzione quando si tocca la console. In condizioni climatiche fredde, indossare indumenti protettivi. In caso di uso all'aperto, è possibile utilizzare guanti da equitazione per migliorare la presa sui corrimani.
- Non modificare in alcun modo la carrozzina.
- Verificare che nessun oggetto o parte del corpo finisca tra i raggi delle ruote motrici onde evitare lesioni e/o danni alla sedia a rotelle.

Tieni presente che il tuo carrozzina potrebbe interferire con qualche sistema di antifurto, a seconda delle impostazioni utilizzate ciò potrebbe fra scattare l'allarme del negozio.

Nel caso in cui si sia verificato un grave incidente con il vostro prodotto, informate Vermeiren o il vostro rivenditore specializzato e l'autorità competente del vostro paese.

2.4 Trasporto



2.4.1 Spostamento

Il modo migliore per trasportare la carrozzina è facendola scorrere usufruendo delle ruote.

Se ciò non è possibile (per es. quando le ruote posteriori sono state tolte per il trasporto in auto), afferrare saldamente il telaio dalla parte anteriore e dalle impugnature. Non utilizzare la parte inferiore, i braccioli o le ruote per afferrare la carrozzina.

2.4.2 Trasporto su veicoli, come bagaglio



Rischio di lesioni

- Controllare che la carrozzina sia fissata in modo adeguato, per evitare lesioni ai passeggeri in caso di collisioni o frenate brusche.
 - NON utilizzare la stessa cintura di sicurezza per il passeggero e per la carrozzina.
1. Ripiegare la carrozzina fino alle dimensioni più compatte, attenendosi alle istruzioni fornite nel §2.5.
 2. Riporre la carrozzina e le sue ruote nel bagagliaio o dietro il sedile del passeggero. Se il bagagliaio e l'abitacolo NON sono separati o chiusi, assicurare saldamente il telaio della carrozzina al veicolo.

2.4.3 Uso della carrozzina quale sedile su un'autovettura



Rischio di lesioni e danni

- La carrozzina ha passato il test dell'ISO 7176-19: 2008 e, per questo, è stata disegnata e testata per essere utilizzata quale sedile su un'autovettura, rivolti in direzione di marcia.
- La cintura pelvica della carrozzina non è da utilizzarsi come da cintura di sicurezza.

La carrozzina è testata utilizzando un sistema tirante a quattro punti e un sistema di contenimento per il paziente a tre punti. Quando però possibile, usare il sedile del veicolo e porre la carrozzina dietro il sedile o nel bagagliaio.

Istruzioni per fissare la carrozzina quale sedile in un'autovettura:

1. Controllare che il veicolo sia dotato di un sistema di fissaggio per carrozzina e di cinture di sicurezza, conforme alla legge ISO 10542.
2. Controllare che i componenti del sistema di fissaggio per carrozzine e le cinture di sicurezza non siano danneggiati, rotti, sfilacciati o rovinati.
3. Se dotata di un sedile regolabile e/o schienale reclinabile, assicurarsi che l'utilizzatore della carrozzina sia seduto in posizione il più eretta possibile. Se le condizioni del paziente non lo consentono, bisognerebbe valutare i rischi per evitare pericoli per il paziente durante il trasporto.
4. Rimuovere tutti gli accessori montati come ad esempio equipaggiamenti respiratori o vassoi, e riporli in un posto sicuro.
5. Posizionare la carrozzina nella stessa direzione di marcia, in centro ai binari montati sul pavimento del veicolo, fissando la carrozzina.
6. Montare le cinture di sicurezza anteriori seguendo le istruzioni del costruttore del sistema di passanti, fino al punto indicato (figura 1). Questo punto è segnato con un simbolo (figura 2).
7. Tirare la carrozzina finché le cinture anteriori non sono tese.
8. Applicare i freni della carrozzina.
9. Montare le cinture di sicurezza posteriori seguendo le istruzioni del costruttore del sistema di passanti, fino al punto indicato (figura 1). Questo punto è segnato con un simbolo (figura 2).

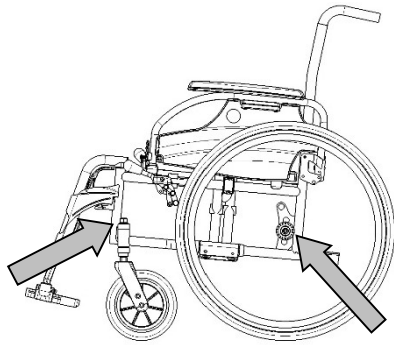


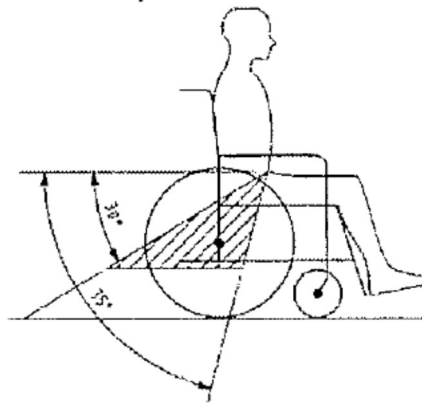
Figura 1



Figure 2

Istruzioni per la sicurezza del paziente:

1. Rimuovere entrambi i braccioli.
2. Se presente, allacciare la cintura pelvica della carrozzina.
3. Allacciare la cinture di sicurezza del paziente seguendo le istruzioni del costruttore del sistema di passanti.
4. Indossare la cintura pelvica da una parte all'altra del bacino, in modo che l'angolo della cintura sia entro la zona dai 30° ai 75° dal piano orizzontale, come mostrato in figura.



5. È preferibile raggiungere un angolo maggiore per la zona indicata.
6. Stringere la cintura come da istruzioni del costruttore del sistema di passanti, secondo il comfort del paziente.
7. Assicursi che la cintura di sicurezza sia attaccata in linea retta al punto di ancoraggio nel veicolo e che nessuna piega sia visibile nella cintura, ad esempio nell'asse della ruota posteriore.
8. Installare i braccioli, se desiderati. Assicursi che le cinture non siano attorcigliate o costrette lontano dal corpo a causa di componenti della carrozzina come braccioli o ruote.

LE CINTURE DI SICUREZZA DEVONO ESSERE BEN FISSATE AL CORPO (NON AI BRACCIOLI O RUOTE)

LA CINTURA PELVICA DEVE ESSERE BEN FISSATA AL CORPO NELLA PARTE FRONTALE



2.5 Chiusura - apertura della carrozzina

**ATTENZIONE**

Possibilità di pizzicamento - Non infilare le dita tra i componenti della carrozzina.

IT

Chiusura della carrozzina:

1. Ripiegare o rimuovere le pedane (vedere la sezione § 3.1).
2. Afferrare il sedile dalla parte anteriore e dallo schienale e tirarlo verso l'alto.
3. Premere sulle impugnature per piegare ulteriormente la carrozzina.

Apertura della carrozzina:

1. Posizionarsi dietro la carrozzina.
2. Utilizzare le impugnature per aprire la carrozzina il più possibile.
3. Posizionarsi davanti alla carrozzina.
4. Premere entrambi i profilati tubolari della seduta verso il basso fino a quando non risultano fissati nella posizione corretta.

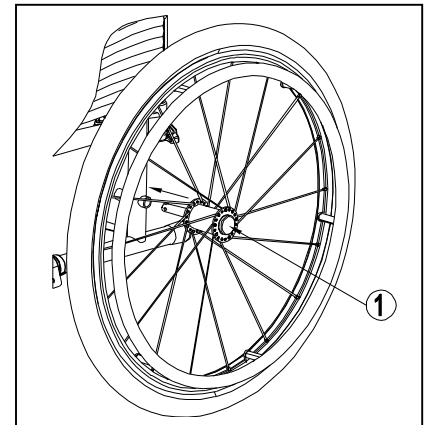
2.6 (S)montaggio delle ruote posteriori (se disponibile)

Rimozione delle ruote posteriori

1. Tenere premuto il pulsante (1) facendo fuoriuscire allo stesso tempo l'assale della ruota dal foro del telaio.
2. Ripetere l'operazione per l'altra ruota e appoggiare delicatamente la carrozzina sui tubi del telaio posteriore.

Installazione delle ruote posteriori

1. Prelevare una delle ruote posteriori e sollevare un lato della carrozzina.
2. Tenere premuto il pulsante (1) inserendo allo stesso tempo la ruota nella boccia dell'assale.
3. Rilasciare il pulsante per bloccare la ruota. Accertarsi che la ruota si inserisca con un clic nella posizione corretta.
4. Ripetere l'operazione per l'altra ruota.
5. Accertarsi che entrambe le ruote siano fissate saldamente.



2.7 Magazzinaggio



Avere cura di immagazzinare la carrozzina in un ambiente asciutto, per evitare la formazione di muffa o danni alla selleria; vedere inoltre il capitolo 0.

Utilizzo

 ATTENZIONE

Rischio di lesioni e/o danni

- Leggere anzitutto il capitolo precedente per familiarizzarsi con l'uso previsto. NON utilizzare la carrozzina senza avere letto e compreso a fondo tutte le istruzioni.
- In caso di dubbi o domande, non esitare a rivolgersi al proprio rivenditore specializzato di zona, al proprio fornitore di cure sanitarie o a un consulente tecnico per un aiuto al riguardo
- Accertarsi che durante l'uso o la regolazione mani, indumenti, cinture, fibbie o gioielli non si impiglino nelle ruote o in altri componenti in movimento.

3.1 Montaggio o rimozione della pedana

 ATTENZIONE

Rischio di lesioni

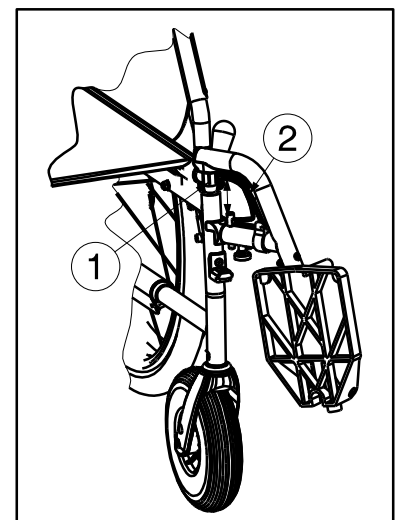
- Prima dell'uso, verificare che i pedana siano bloccati saldamente nella posizione corretta.
- Tenere qualsiasi oggetto lontano dalla pedane durante l'installazione o la rimozione delle stesse.

Montare i pedana nel modo seguente:

1. Reggere la pedana lateralmente dalla parte esterna del telaio della carrozzina e inserire la chiusura del profilato tubolare (1) nel telaio.
2. Ruotare la pedana verso l'interno fino a quando non scatta nella posizione corretta.
3. Ruotare la pedana verso il basso.

Per rimuovere la pedane:

1. Tirare l'impugnatura (2).
2. Ruotare la pedana verso l'esterno della carrozzina finché non si sgancia dalla guida.
3. Sfilare la pedana dalla chiusura del profilato tubolare (1).

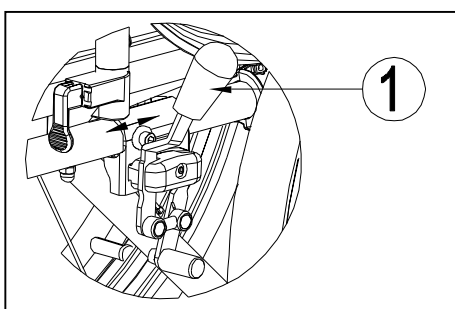


3.2 Utilizzo dei freni

 ATTENZIONE

Rischio di lesioni

- Non utilizzare i freni per rallentare la carrozzina durante la marcia, utilizzarli solo per prevenire movimenti indesiderati della carrozzina.
- Sull'adeguato funzionamento dei freni incidono l'usura e la mancanza di pulizia delle ruote, ad esempio presenza di acqua, olio o fango. Verificare le condizioni delle ruote prima di ogni utilizzo.
- I freni sono regolabili e possono usurarsi. Verificare il funzionamento dei freni prima di ogni utilizzo.
- Accertarsi che la carrozzina sia su una superficie piana prima di rilasciare i freni. Non rilasciare mai entrambi i freni contemporaneamente.



Per frenare:

1. Spingere le impugnature dei freni in avanti (1) fino a sentire un clic distinto.

Per rilasciare i freni:

1. Rilasciare un freno tirando l'impugnatura (1) all'indietro.
2. Reggere il corrimano della ruota di rilascio con la mano.
3. Rilasciare l'altro freno tirando le impugnature all'indietro.

3.3 Montaggio o rimozione dei braccioli

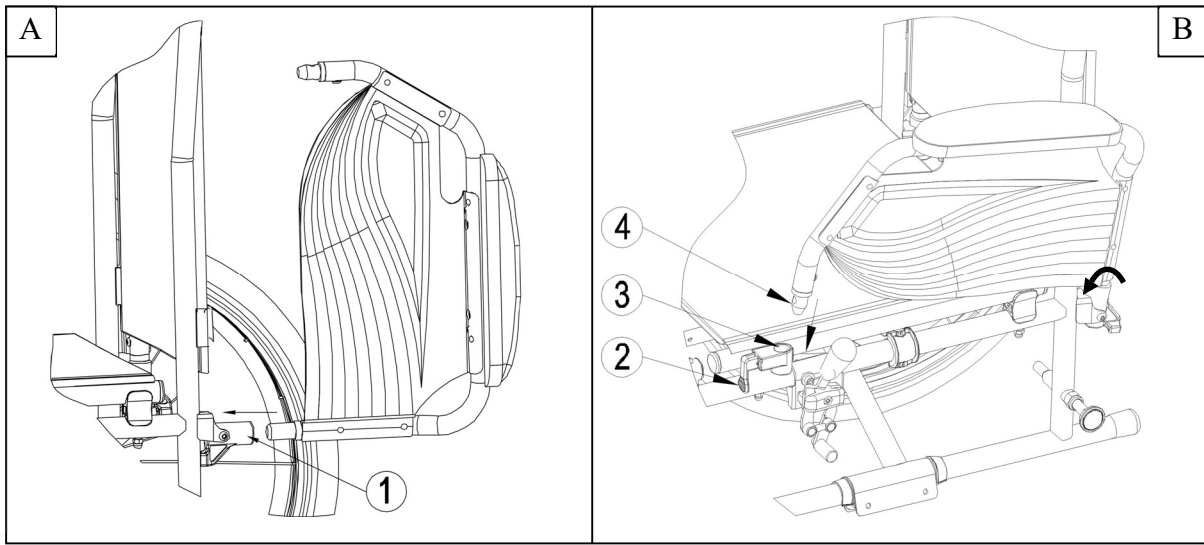
ATTENZIONE

Rischio di lesioni

- Prima dell'uso, verificare che i braccioli siano bloccati saldamente nella posizione corretta.
- Tenere dita, indumenti lontano dalla parte inferiore dei braccioli.

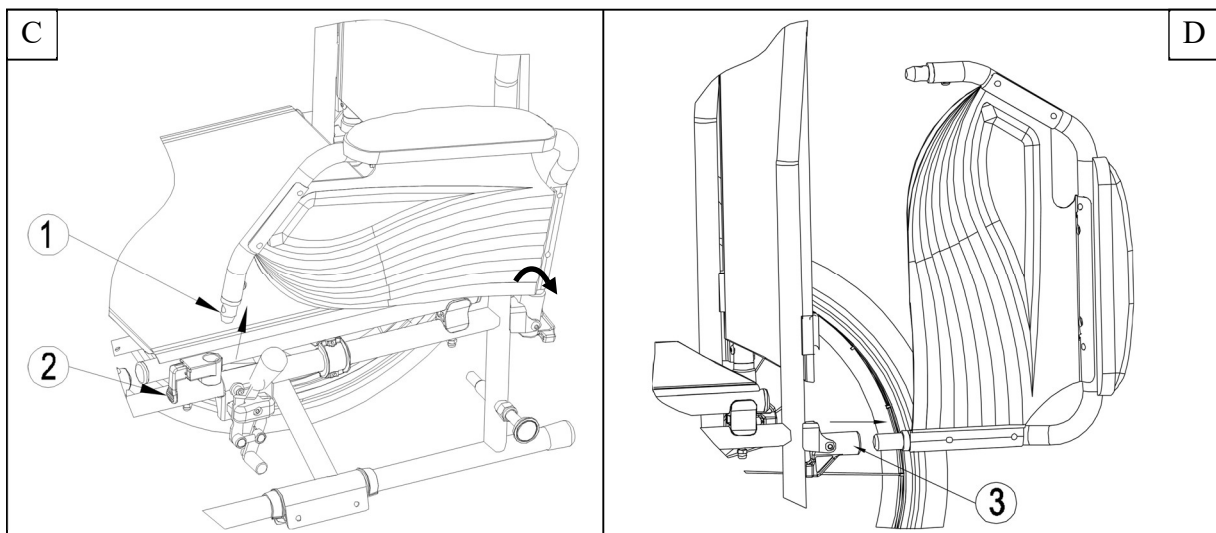
IT

1. Montare il tubo posteriore del bracciolo sul coperchio del tubo (1) (Fig A).
2. Accertarsi che il bracciolo sia montato correttamente.
3. Piegarlo in avanti il bracciolo.
4. Tirare la leva (2) sul coperchio del tubo (3) verso l'alto (Fig B).
5. Far scattare il tubo anteriore del bracciolo (4) sul coperchio del tubo (3) (Fig B).



Per aprire e rimuovere il bracciolo:

1. Tirare la leva (2) e tirare la parte anteriore del braccioli (1) verso l'alto (Fig C).
2. Piegarlo all'indietro il bracciolo.
3. Per rimuovere il braccioli, tirare la parte posteriore del braccioli dal coperchio del tubo (3) (Fig D).

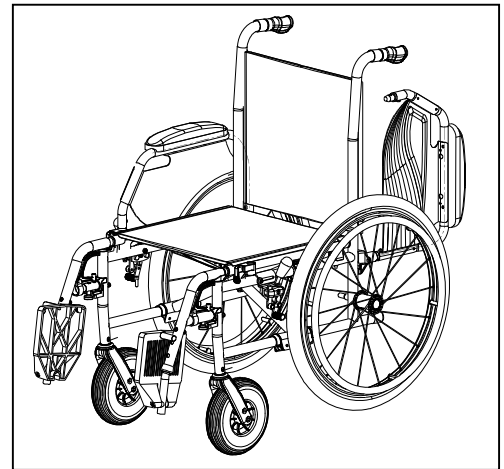


3.4 Trasferimento della carrozzina all'interno e all'esterno

 ATTENZIONE

Rischio di lesioni e/o danni

- Nel caso in cui non si riesca a eseguire il trasferimento in modo sicuro, chiedere assistenza.
 - Non stare in piedi sui poggiapiedi.
1. Posizionare la carrozzina il più vicino possibile alla sedia, alla poltrona o al letto verso il quale si desidera trasferire il paziente.
 2. Verificare che entrambi i freni della carrozzina siano attivati.
 3. Ripiegare le pedane verso l'alto per evitarne l'utilizzo come punto di appoggio.
 4. Se il trasferimento avviene dalla parte laterale della carrozzina, ripiegare il braccioli che si trova da quel lato verso l'alto (vedere § 3.3).
 5. Trasferimento da/verso la carrozzina.



3.5 Posizione corretta della carrozzina

Alcuni consigli per un utilizzo confortevole della carrozzina:

- Posizionare la parte posteriore il più vicino possibile allo schienale.
- Accertarsi che le cosce siano in posizione orizzontale, se necessario regolare la lunghezza dei poggiapiedi (vedere § 4.3).

3.6 Spostamenti della carrozzina

 ATTENZIONE

Rischio di lesioni e danni

- Prima di ogni utilizzo, verificare che:
 - i freni di parcheggio funzionino correttamente.
 - gli pneumatici siano in buone condizioni; vedere il § 0.
- Avere cura di evitare che le dita restino impigliate nei raggi delle ruote.
- Non azionare i corrimani con le mani bagnate.
- Quando si attraversano passaggi stretti, prestare attenzione a non schiacciarsi le mani sui corrimani.
- NON effettuare spostamenti su superfici inclinate, ostacoli, gradini o cordoli di dimensioni superiori a quelle specificate nel § 0.
- Quando ci si ferma su una superficie (poco) inclinata, utilizzare i freni.
- Quando si procede in salita o in discesa su superfici inclinate, accertarsi che tutte e quattro le ruote siano a contatto con il suolo.
- Affrontare le superfici alla minima velocità possibile.
- Quando si percorrono strade pubbliche, rimanere sempre sul marciapiede.
- Prestare attenzione quando si procede su strade con buche o fessure in cui le ruote possano incastrarsi.
- Evitare sassi o altri oggetti in grado di bloccare le ruote.
- Quando si affronta un ostacolo, accertarsi che le pedane non tocchino terra.
- Non utilizzare la carrozzina sulle scale mobili.
- Se disponibile, indossare la cintura di sicurezza.
- Tenere sempre conto del raggio di rotazione della pedana, per evitare di causare lesioni alle persone o danni materiali.
- Se non si possiede sufficiente esperienza di uso della carrozzina, chiedere aiuto a un assistente. Tenere le braccia lontane dalle ruote e i piedi sulla pedana.
- Le scale devono sempre essere affrontate con l'aiuto di due assistenti.
- Non tentare mai di utilizzare scale inadatte alle carrozzine.

3.6.1 Uso della carrozzina:

1. Rilasciare i freni.
2. Afferrare entrambi i corrimani nel punto più alto.
3. Inclinare il busto in avanti e spingere in avanti i corrimani, fino a quando le braccia sono distese.
4. Riportare le mani nel punto più alto dei corrimani e ripetere il movimento.

Installazione e regolazione

Le istruzioni contenute nel presente capitolo sono destinate al rivenditore.

La carrozzina Vermeiren Jazz S50 è stata progettata come carrozzina con un numero minimo di regolazioni. Non è necessario un altro set di parti di ricambio.

Per individuare il centro assistenza o il rivenditore specializzato più vicino, contattare il centro Vermeiren.

**AVVERTENZA****Rischio di lesioni e danni**

- Utilizzare solo le regolazioni descritte in questo manuale.
- La modifica delle regolazioni consentite può determinare una variazione nella stabilità della carrozzina (ribaltamento all'indietro o laterale).

4.1 Attrezzi

Per montare la carrozzina sono necessari i seguenti strumenti.

- Set di chiavi dal n° 7 al n° 22
- Set di chiavi a brugola dal n° 3 al n° 8
- Cacciavite a stella

4.2 Modalità di consegna

La carrozzina Vermeiren Jazz S50 può essere distribuita con:

- 1 telaio con braccioli, ruote anteriori e posteriori (altezza del sedile 500 mm)
- 1 coppia di poggiatesta
- Attrezzi
- Manuale
- Accessori (facoltativo)
- Pompa per pneumatici

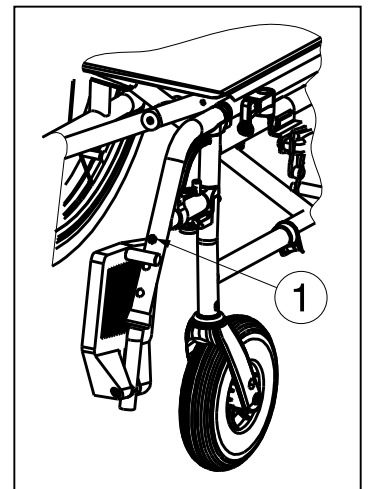
4.3 Regolazione dei poggiatesta

**ATTENZIONE**

Rischio di danneggiamento - Evitare che i poggiatesta siano a contatto con il suolo. Tenere una distanza minima di 60 mm dal suolo.

È possibile regolare la lunghezza delle pedane attendendosi alle seguenti istruzioni:

1. Rimuovere la vite (1).
2. Regolare il poggiatesta a un'altezza confortevole per il paziente.
3. Serrare la vite (1) in modo adeguato.

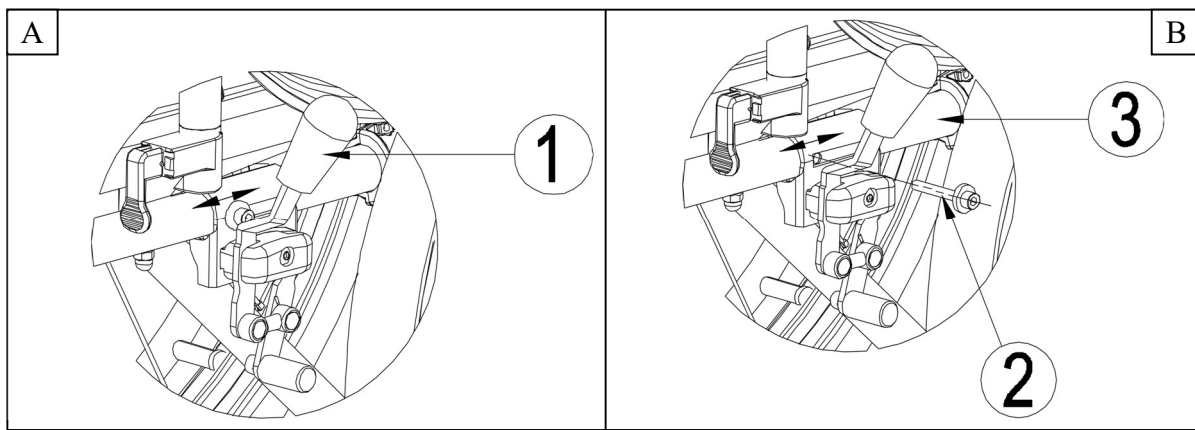


4.4 Regolazione dei freni


AVVERTENZA

Rischio di lesione. I freni devono essere regolati solo dal rivenditore specializzato.

1. Installare le ruote in base alle indicazioni della sezione § 2.6.
2. Sganciare i freni tirando la leva (1) all'indietro (Fig A).
3. Allentare il bullone (2) in modo che il meccanismo del freno possa scorrere oltre del telaio (3) (Fig B).
4. Tirare il meccanismo del freno lungo il telaio (3) fino a raggiungere la posizione desiderata (Fig B). La regolazione dei freni deve essere nel range dei trattini contrassegnati (4) sul meccanismo del freno.
5. Serrare nuovamente il bullone (2) (Fig B).
6. Verificare il funzionamento dei freni.
7. Se necessario, ripetere i passaggi precedenti fino a ottenere una regolazione appropriata.



4.5 Cambio degli pneumatici


AVVERTENZA

Rischio di lesioni e/o danni

- Se maneggiato in modo scorretto, il cerchione della ruota potrebbe danneggiarsi. Lasciare che un esperto esegui questa manovra.
- Durante il montaggio dello pneumatico, assicurarsi che nessun oggetto o parte del corpo sia tra il cerchio e lo pneumatico stesso.
- Durante il gonfiaggio, verificare sempre che la pressione sia corretta. Il valore appropriato è indicato sul fianco dello pneumatico.
- Utilizzare solo apparecchiature adeguate e conformi alle normative ed indicare la pressione in bar, oppure utilizzare la pompa dell'aria in dotazione. La garanzia decade in caso di danni provocati dall'utilizzo di apparecchiature di gonfiaggio fornite da terze parti.

i

- Assicurarsi sempre che le ruote siano sufficientemente gonfie al fine di evitare fastidi durante la guida.
- La garanzia decade in caso di uso di ruote di altre marche.
- Il montaggio corretto può essere garantito solo da personale esperto. La garanzia decade in caso di montaggio improprio e non effettuato dal rivenditore specializzato.

In caso di mancata sostituzione delle ruote o della camera d'aria, osservare le seguenti precauzioni:

1. Sgonfiare completamente la camera d'aria.
2. Inserire l'attrezzo smontagomme tra il cerchione e il copertone.
3. Premere lentamente e delicatamente lo smontagomme verso il basso. In questo modo, il copertone fuoriesce dal cerchione.
4. Fare scorrere l'attrezzo lungo il cerchione, il copertone fuoriesce completamente dal cerchione.
5. Rimuovere quindi con delicatezza il copertone e quindi la camera d'aria.

Verificare che sulla superficie del cerchione e sulla parete interna del copertone non siano presenti corpi estranei e se necessario, pulire accuratamente. Verificare lo stato della superficie del cerchione, soprattutto in corrispondenza del foro della valvola.

IT Utilizzare esclusivamente ricambi originali. La casa costruttrice declina ogni e qualsiasi responsabilità per danni derivanti dall'utilizzo di rampe non idonee. Contattare il rivenditore specializzato.



Posizionare la camera d'aria sopra la valvola prima di inserirla nel cerchione. Verificare che tutte le teste dei raggi siano coperte.



Spingere il copertone lungo il bordo del cerchione, partendo dalla valvola. Gonfiare leggermente la camera d'aria in modo che prenda forma circolare e inserirla nel copertone.



Quando la camera d'aria è stata inserita completamente e uniformemente nel copertone (se non è uniforme, sfiatare un po' d'aria), spingere delicatamente la parte superiore del copertone, iniziando dalla valvola, agendo delicatamente con entrambe le mani.

Controllare entrambi i lati per accertarsi che la camera d'aria non rimanga impigliata tra il cerchione e il bordo del copertone. Spingere delicatamente la valvola verso l'interno e tirala nuovamente verso l'esterno in modo da trovare la posizione ideale per il copertone attorno alla valvola.

Per accertarsi che la ruota sia gonfiata correttamente, inizialmente immettere solo una piccola quantità d'aria in modo che sia possibile spingere facilmente il copertone verso l'interno con le dita. Se le linee di controllo sono equidistanti dal bordo del cerchione sui due lati del copertone, significa che il copertone è centrato correttamente. In caso contrario, far uscire l'aria e ripetere l'operazione.

A questo punto, è possibile gonfiare lo pneumatico con la pressione massima prestando attenzione a non superare il limite di gonfiaggio. Al termine dell'operazione richiudere la valvola.

Manutenzione

5.1 Punti di manutenzione



ATTENZIONE

Rischio di lesioni e danni

Riparazioni e sostituzioni devono essere eseguite esclusivamente da personale con un'opportuna formazione e utilizzando unicamente ricambi originali Vermeiren.

- i** La frequenza dell'assistenza dipende dalla frequenza e dall'intensità dell'uso. Concordare con il proprio rivenditore un calendario comune per le attività di ispezione / manutenzione / riparazione.

Prima di ciascun utilizzo

Verificare i seguenti punti:

- Tutti i componenti: presenza, integrità e assenza di usura.
- Tutti i componenti: pulizia, vedere il § 5.2.2.
- Ruote, schienale, sedile, poggiatesta, braccioli e pedana: fissaggio corretto.
- Condizioni delle ruote / degli pneumatici: vedere il § 5.2.1;
- Condizioni dei componenti del telaio: assenza di deformazioni, instabilità, punti deboli o raccordi allentati
- Sedile, schienale, poggiatesta (se presente) e imbottiture di braccioli e poggiatesta: assenza di usura eccessiva (come ammaccature, danni o lacerazioni).
- Freni: integri e funzionanti

Rivolgersi al proprio rivenditore specializzato per le riparazioni o i ricambi eventualmente necessari.

Annualmente o con maggiore frequenza

Almeno una volta all'anno, o con maggiore frequenza, richiedere al proprio rivenditore specializzato un intervento di ispezione e manutenzione della carrozzina. La frequenza minima di manutenzione dipende dall'uso, e deve pertanto essere concordata con il proprio concessionario autorizzato.

5.2 Istruzioni per la manutenzione

5.2.1 Ruote e pneumatici

- i** Il funzionamento corretto dei freni dipende dallo stato degli pneumatici, e può variare a seconda dell'usura e dell'eventuale contaminazione (acqua, olio, fango e così via).

Tenere pulite le ruote da fili, capelli, sabbia e fibre.

Verificare il profilo degli pneumatici. Se la profondità del battistrada è inferiore a 1 mm, occorre sostituire gli pneumatici. A tale scopo, rivolgersi al proprio rivenditore specializzato.

Gonfiare ciascuno pneumatico alla pressione corretta (facendo riferimento all'indicazione riportata sul medesimo).

5.2.2 Pulizia

ATTENZIONE

Rischio di danni da umidità

- Non pulire la carrozzina con manichette o pulitrici ad alta pressione.

Strofinare tutti i componenti rigidi della carrozzina con un panno umido (non zuppo). Se necessario, utilizzare un detergente delicato, adatto per smalti e materiali sintetici.

È possibile pulire la selleria con acqua tiepida e un detergente delicato. Non utilizzare detersivi abrasivi per la pulizia.

5.2.3 Disinfezione

ATTENZIONE

Rischio di danni

- La disinfezione deve essere eseguita esclusivamente da personale con un'opportuna formazione. Consultare il proprio rivenditore specializzato.

5.3 Soluzione dei problemi di funzionamento

Anche se si utilizza la carrozzina nel modo corretto, è comunque possibile che si verifichi un problema tecnico. In tal caso, rivolgersi al rivenditore specializzato della propria zona.

 AVVERTENZA

Rischio di lesioni e di danni alla carrozzina

- NON tentare MAI di riparare personalmente la carrozzina.

I sintomi indicati di seguito possono segnalare un problema grave. Rivolgersi pertanto sempre al proprio rivenditore specializzato se si rileva una qualunque delle seguenti anomalie:

- Rumori strani;
- Usura irregolare del battistrada di uno pneumatico;
- Movimenti a scatti;
- Tendenza della carrozzina a deviare lateralmente;
- Gruppi ruota danneggiati o spezzati.

5.4 Durata prevista

La carrozzina ha una durata media prevista di 5 anni. Tale valore aumenta o diminuisce a seconda della frequenza di utilizzo, delle condizioni di guida e della manutenzione.

5.5 Utilizzi successivi

Prima di ogni utilizzo successivo, fare disinfettare, ispezionare e sottoporre a manutenzione la carrozzina secondo le istruzioni dei §5.1 e §5.2 .

5.6 Fine vita

A fine vita, occorre smaltire la carrozzina conformemente alla legislazione ambientale locale. Il modo migliore per farlo consiste nello smontare la carrozzina per agevolare il trasporto dei componenti riciclabili.

Specifiche tecniche

I dettagli tecnici riportati di seguito sono validi soltanto per la carrozzina oggetto del manuale, con le impostazioni standard e in condizioni ambiente ottimali. Durante l'uso, tenere conto di questi dati di dettaglio. I valori indicati non sono più validi se la carrozzina ha subito modifiche o danni, oppure presenta un livello elevato di usura.



Tabella 1: Specifiche tecniche

Produttore	Vermeiren
Tipo	Carrozzina manuale
Modello	Jazz S50

Descrizione	Specifiche
Peso massimo dell'occupante	130 kg
Lunghezza complessiva con bracciolo	1120 mm
Larghezza effettiva del sedile	390 mm 420 mm 440 mm 460 mm 480 mm 500 mm
Larghezza complessiva (in base alla larghezza del sedile)	565 mm 595 mm 615 mm 635 mm 655 mm 675 mm
Lunghezza ripiegata senza bracciolo	825 mm
Larghezza ripiegata	290 mm
Altezza ripiegata	935 mm
Peso totale	16,60 kg
Massa della parte più pesante	8,05 kg
Peso delle parti smontabili o rimovibili	Poggiapiedi: 1,80 kg; Braccioli: 1,80 kg Ruote posteriori: 4,95 kg
Stabilità statica in discesa	15°
Stabilità statica in salita	10°
Stabilità statica laterale	15°
Profondità effettiva del sedile	450 mm
Altezza della superficie del sedile all'estremità anteriore	500 mm
Inclinazione del sedile	5°
Altezza dello schienale	420 mm
Inclinazione dello schienale	0°
Distanza tra poggiapiedi e sedile	370 - 440 mm
Angolazione tra sedile e poggiapiedi	7°
Distanza tra braccioli e sedile	220 mm
Posizione anteriore della struttura del bracciolo	310 mm
Diametro dei corrimano	535 mm
Posizione orizzontale dell'asse (deflessione)	10 mm

**IT**

Diametro di sterzata minimo	1190 mm
Diametro delle ruote posteriori	24" (opzionale 12")
Pressione di gonfiaggio pneumatici, ruote motrici/posteriori	Max. 3,5 bar
Diametro delle ruote diretrici	200 mm
Pressione di gonfiaggio pneumatici, ruote anteriori (diretrici)	Max. 2,5 bar
Temperatura per utilizzo e conservazione	+ 5 °C - + 41 °C
Umidità per utilizzo e conservazione	30% - 70%

**La casa produttrice si riserva il diritto di apportare modifiche tecniche.
Tolleranza misurazioni ± 15 mm / 1,5 kg / 1,5° .**

Índice

Índice	1
Introducción	2
1 Su producto	3
1.1	3
1.2 Accesorios	3
2 Ante de su uso	4
2.1 Uso previsto	4
2.2 Explicación de los símbolos	4
2.3 Instrucciones generales de seguridad	4
2.4 Transporte	5
2.5 Plegado/Despliegue de la silla de ruedas	7
2.6 Montaje/Extracción de las ruedas traseras (si están disponibles)	7
2.7 Almacenamiento	7
3 Utilizar la silla de ruedas	8
3.1 Montaje y desmontaje de los reposapiés	8
3.2 Accionamiento de los frenos	8
3.3 Montaje y desmontaje de los reposabrazos	9
3.4 Traslado a la silla de ruedas y desde esta	10
3.5 Conducción de la silla de ruedas	10
4 Instalación y ajuste	12
4.1 Herramientas	12
4.2 Forma de suministro	12
4.3 Ajuste de los reposapiés	12
4.4 Ajuste de los frenos	13
4.5 Cambio de las ruedas neumáticas	13
5 Mantenimiento	15
5.1 Puntos de mantenimiento	15
5.2 Instrucciones de mantenimiento	15
5.3 Resolución de problemas	16
5.4 Vida útil prevista	16
5.5 Reutilizar	16
5.6 Fin de vida útil	16
6 Especificaciones técnicas	17

Introducción

¡Felicidades! Es usted el propietario de una silla de ruedas Vermeiren.

Esta silla de ruedas ha sido fabricada por personal experto y cualificado. Se ha diseñado y fabricado según los más altos estándares de calidad implementados por Vermeiren.

Lea este manual detenidamente. Le ayudará a familiarizarse con el manejo, las capacidades y limitaciones de su silla de ruedas. Si todavía tiene alguna duda después de leer este manual, contacte con su distribuidor especializado, estará encantado de ayudarle.

Nota importante

Para garantizar su seguridad y prolongar la vida útil de su producto, cuídalo bien y asegúrese de realizar revisiones y el mantenimiento correspondiente de manera regular.

Este manual refleja los desarrollos más recientes del producto. Vermeiren se reserva el derecho a implementar cambios en este tipo de producto sin que ello suponga obligación alguna de adaptar o cambiar productos similares previamente entregados.

Las imágenes se facilitan para clarificar las instrucciones contenidas en este manual. Los detalles del producto mostrado pueden variar con respecto a su producto.

Información disponible

En nuestro sitio web <http://www.vermeiren.com/> siempre encontrará la versión más reciente de la información en este manual. Consulte este sitio web de manera regular para estar al tanto de posibles actualizaciones.

Las personas con discapacidad visual pueden descargarse la versión electrónica del manual y utilizar un software de síntesis de voz para poder oír su contenido.



Manual de instrucciones Para el usuario y el distribuidor especializado



Instrucciones de instalación Para el distribuidor especializado



Manual de mantenimiento para sillas de ruedas
Para el distribuidor especializado



Declaración CE de conformidad

1 Su producto



1. Cruzeta
2. Asideros
3. Respaldo
4. Almohadillas del reposabrazos
5. Reposabrazos
6. Ruedas de tracción (ruedas traseras)
7. Aros de propulsión
8. Frenos
9. Tapón
10. Ruedas de dirección (ruedas delanteras)
11. Reposapiés
12. Paleta
13. Asiento
14. Placa de identificación de ubicaciones

ES

1.1 Accesorios

La Jazz S50 cuenta con los siguientes accesorios:

- Ruedas de transporte (B86)
- Reposabrazos (B05)

Si busca otros accesorios, póngase en contacto con su distribuidor especializado. Estará encantado de aconsejarle.

2 Ante de su uso

2.1 Uso previsto

Este párrafo describe brevemente el uso previsto de la silla de ruedas. También se incluyen avisos pertinentes a las instrucciones en otros párrafos. De esta manera se pretende avisar al usuario de un eventual mal uso de la silla.

- Indicaciones y contraindicaciones: El usuario puede propulsar él mismo la silla de ruedas o disponer de un acompañante que la empuje. La silla de ruedas está diseñada para personas con movilidad reducida o nula. Los diferentes tipos de accesorios y su construcción modular permiten que sea usada plenamente por ancianos así como por personas discapacitadas debido a: parálisis, pérdida de miembros (amputación de piernas), deformaciones o defectos en los miembros, articulaciones anquilosadas o dañadas, insuficiencias cardíacas o circulatorias, problemas de equilibrio, caquexia (atrofia muscular).
- La silla de ruedas puede ser usada en interiores y/o exteriores.
- La silla de ruedas está diseñada para transportar 1 persona con un peso máximo de 130 kg. No está diseñada para transportar mercancías u objetos, o para otros usos que no sean los descritos anteriormente.
- Utilizar sólo accesorios y piezas de repuesto aprobadas por Vermeiren.
- Consulte todos los datos técnicos y las limitaciones de la silla de ruedas en el capítulo 6.
- La garantía de este producto se basa en el uso y mantenimiento normales descritos en este manual. La garantía se invalida si el producto sufre cualquier daño causado por un uso indebido o falta de mantenimiento.

2.2 Explicación de los símbolos



Peso máximo del usuario en kg



Uso en interior/exterior



Pendiente máxima segura en ° (grados).



Tipo de modelo

2.3 Instrucciones generales de seguridad

- No utilizar la silla de ruedas si ha consumido alcohol, medicamentos u otras sustancias que afecten la capacidad de conducir.
- Téngase en cuenta que ciertas partes de la silla de ruedas pueden llegar a calentarse o enfriarse demasiado a causa de la temperatura ambiente, la luz del sol o la calefacción. Téngase cuidado al tocar la silla de ruedas. Llevar ropa protectora cuando haga frío. Cuando salga al exterior, puede utilizar guantes protectores para mejorar el agarre de los aros propulsores.
- No modificar esta silla de ruedas de ningún modo.
- Para evitar lesiones o daños en su silla de ruedas, asegúrese de que no haya objetos ni ninguna parte del cuerpo atrapados en los radios de las ruedas de tracción.

Tenga en cuenta que su silla de ruedas puede interferir con algunos tipos de sistemas antirrobo, según la configuración utilizada. Esto puede hacer que se active la alarma de la tienda.

En caso de que se produzca un incidente grave con su producto, notifique a Vermeiren o a su distribuidor especializado, así como a la autoridad competente de su país.

2.4 Transporte

2.4.1 Retirar del camino

La mejor forma de transportar la silla es empujarla y utilizar las ruedas.

Si no es posible (porque haya que levantar las ruedas traseras para cargarla en un coche, por ejemplo), cójala por el armazón delantero y por los asideros. No la agarre por los reposabrazos, reposapiés ni por las ruedas.

ES

2.4.2 Transporte mediante vehículo como equipaje

 PRECAUCIÓN Riesgo de lesiones

- Compruebe que la silla de ruedas está fijada correctamente para evitar cualquier daño a los pasajeros en caso de colisión o frenado brusco.
 - No utilice NUNCA el mismo cinturón de seguridad para fijar la silla de ruedas y el pasajero.
1. Plegar la silla de ruedas hasta reducirla a su tamaño más compacto siguiendo las instrucciones del apartado 2.5.
 2. Guardar la silla de ruedas y sus ruedas en el maletero o detrás del asiento del pasajero. Si el maletero y los asientos del coche NO están separados o cerrados, fijar bien el bastidor de la silla de ruedas al vehículo.

2.4.3 Uso de la silla de ruedas como asiento en un vehículo de motor

 PRECAUCIÓN Riesgo de lesiones y daños

- La silla de ruedas ha superado con éxito la prueba de choque de la norma ISO 7176-19: 2008 como tal, ha sido diseñado y probado para usarlo solo como silla de cara al frente en un vehículo de motor.
- El cinturón pélvico de la silla de ruedas solo no es adecuado para un cinturón de sujeción del ocupante.

La silla se prueba mediante el sistema de cinturón de cuatro puntos y un sistema de restricción para los ocupantes de 3 puntos. Siempre que sea posible, utilice el asiento del vehículo y guarde la silla en la zona de carga.

Medidas de seguridad para la silla en un vehículo:

1. Compruebe que el vehículo está equipado adecuadamente para amarrar una silla de ruedas y el sistema de retención para los ocupantes de acuerdo con la norma ISO 10542.
2. Compruebe que los raíles de amarre para la silla y el sistema de retención para los ocupantes, no están desgastados, contaminados, dañados o rotos.
3. Si está equipado con un asiento ajustable y/o inclinable, asegúrese de que el usuario está sentado lo más derecho posible. Si la condición del usuario impide esto, se deberá hacer una valoración del riesgo, para evaluar la seguridad del usuario durante el trayecto.
4. Retire todos los accesorios montados tales como bandejas y equipos respiratorios, y colóquelos en un lugar seguro.
5. Coloque la silla de caras a la dirección del viaje, céntrico entre los raíles de amarre montados en el suelo del vehículo.
6. Monte las correas de sujeción frontal de acuerdo a las instrucciones del fabricante del sistema de la correa en el lugar indicado (Figura 1). Este lugar está marcado en la silla de ruedas con un símbolo (Figura 2).
7. Retroceda la silla hasta que las correas frontales estén apretadas.
8. Aplicar el freno de la silla de ruedas.
9. Monte las correas de sujeción traseras de acuerdo con las instrucciones del fabricante del sistema de correas en el lugar indicado (Figura 1). Este lugar está marcado en la silla de ruedas con un símbolo (Figura 2).

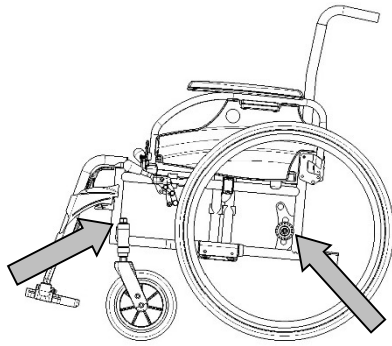


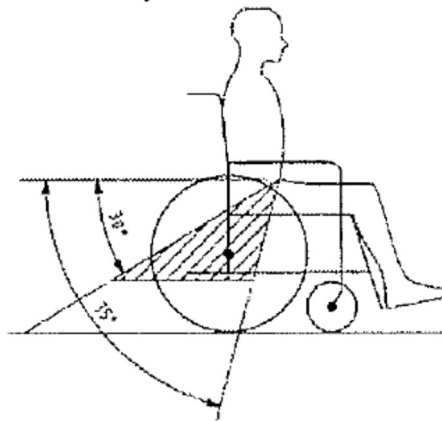
Figura 1



Figura 2

Medidas para asegurar el usuario de la silla de ruedas:

1. Retire los dos reposabrazos.
2. Si está presente ate el cinturón pélvico de la silla.
3. Ate los cinturones de sujeción del ocupante de acuerdo a las instrucciones del fabricante del sistema de correas.
4. Lleve el cinturón pélvico bajo a través de la parte delantera de la pelvis, de tal modo que el ángulo del cinturón pélvico está dentro de la zona preferencial de 30° a 75° respecto al horizontal, similar a lo mostrado abajo.



5. Un ángulo más pronunciado (mayor) dentro de la zona preferente es lo aconsejable.
6. Ajuste el cinturón asegurándolo bien de acuerdo a las inclinaciones del fabricante del sistema de correas, en consonancia a la comodidad del usuario.
7. Asegúrese que el cinturón de sujeción conecta en una línea recta al punto de anclaje en el vehículo y que no haya dobleces visibles, por ejemplo en el eje de la rueda trasera.
8. Instale los reposacabezas, si lo desea. Asegúrese que los cinturones no están retorcidos o apartados del cuerpo por los componentes de la silla como los reposabrazos o las ruedas.

La sujeciones no tendrían que mantenerse lejos del cuerpo por los componentes de la silla como los reposacabezas o la ruedas

Las sujeciones pélvicas tendrían que estar en pleno contacto a través de la parte delantera del cuerpo cerca de la union del musio y la pelvis



2.5 Plegado/Despliegue de la silla de ruedas



Peligro de pillarse los dedos: no coloque los dedos entre los componentes de la silla de ruedas.

Para plegar la silla de ruedas:

1. Pliegue o retire las paletas (véase el apartado 2.4).
2. Sujete el asiento por la parte delantera y trasera y tire de él hacia arriba.
3. Empuje las empuñaduras para plegar aún más la silla de ruedas.

Desplegar la silla de ruedas:

1. Sitúese detrás de la silla de ruedas.
2. Use las empuñaduras para abrir la silla de ruedas tanto como le sea posible.
3. Sitúese delante de la silla de ruedas.
4. Empuje los dos tubos del asiento hacia abajo hasta que queden fijados en su posición.

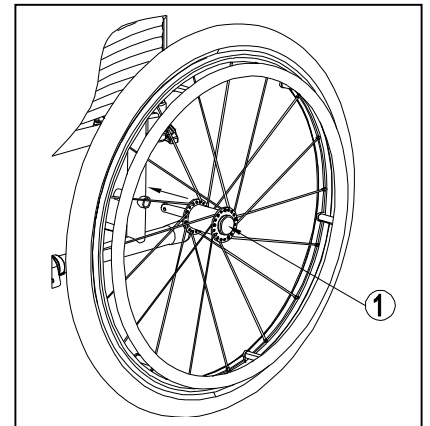
2.6 Montaje/Extracción de las ruedas traseras (si están disponibles)

Desmontar las ruedas traseras

1. Mantener pulsado el botón (1) a medida que se saca el eje de la rueda del orificio del bastidor.
2. Repetir el proceso en la otra rueda y apoyar la silla con cuidado sobre los tubos traseros del bastidor.

Para montar las ruedas traseras

1. Tomar una de las ruedas traseras y levantar la silla por uno de los lados.
2. Mantener pulsado el botón (1) a medida que se introduce la rueda en el eje hasta el tope.
3. Soltar el botón para bloquear la rueda. Asegurarse de que hace clic para saber que la rueda se ha bloqueado.
4. Repetir este proceso con la otra rueda.
5. Asegurarse de que ambas ruedas estén bien fijadas.



2.7 Almacenamiento



Asegurarse de que la silla de ruedas se almacena en un lugar seco para evitar la aparición de moho y que se dañe la tapicería; ver también el apartado 6.

3 Utilizar la silla de ruedas

⚠ PRECAUCIÓN

Riesgo de lesiones y daños

- Leer antes los capítulos anteriores e informarse sobre el uso previsto. NO utilizar la silla de ruedas si no se han leído detenidamente y entendido completamente todas las instrucciones.
- En caso de tener dudas o preguntas, contacte con su distribuidor especializado local, proveedor de cuidados o asesor técnico para recibir asesoramiento.
- Asegurarse de que las ruedas u otras piezas en movimiento no pinzan por accidente sus manos, ropa, cinturones, hebillas o joyas durante el uso o el ajuste.

3.1 Montaje y desmontaje de los reposapiés

⚠ PRECAUCIÓN

Riesgo de lesiones

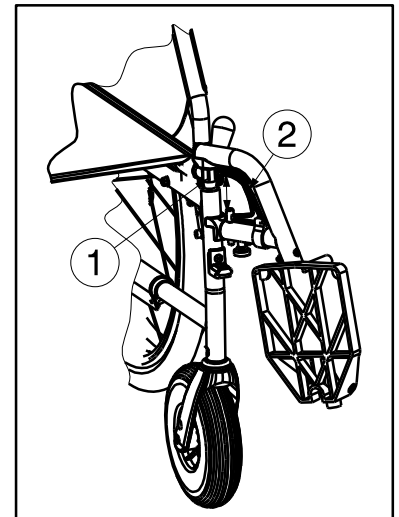
- Compruebe que los reposapiés están bloqueados en su lugar antes de usarlos.
- Mantenga los objetos lejos de la oscilación del reposapiés durante el montaje o el desmontaje de éstos.

El montaje de los reposapiés se realiza del modo siguiente:

1. Mantenga el reposapiés en posición vertical por la parte externa del armazón de la silla de ruedas e inserte el capuchón del tubo (1) en el armazón.
2. Gire el reposapiés hacia el interior hasta que encaje en su posición con un clic.
3. Gire la paleta hacia abajo.

Para retirar los reposapiés:

1. Tire del asa (2).
2. Gire el reposapiés hacia la parte externa de la silla de ruedas hasta que se afloje de la guía.
3. Saque el reposapiés del capuchón del tubo (1).

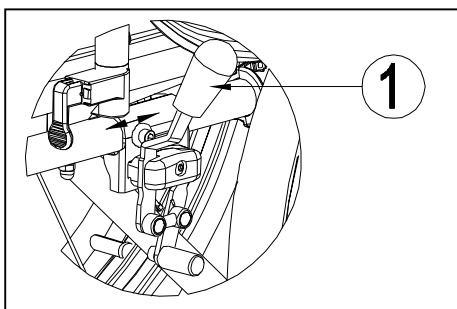


3.2 Accionamiento de los frenos

⚠ PRECAUCIÓN

Riesgo de lesiones

- Los frenos no se utilizan para reducir la velocidad de la silla de ruedas durante los movimientos. Utilice los frenos solo para evitar que la silla de ruedas realice movimientos no deseados.
- El buen funcionamiento de los frenos depende de su desgaste y de las sustancias presentes en ellas (agua, aceite, barro, etc.). Compruebe las condiciones de las ruedas antes de utilizarlas.
- Los frenos se pueden ajustar y pueden desgastarse. Compruebe el funcionamiento de los frenos antes de cada uso.
- Asegúrese de que la silla de ruedas se encuentre en una superficie horizontal plana antes de soltar los frenos. Nunca suelte ambos frenos a la vez.



Para accionar los frenos:

1. Empuje las palancas del freno (1) hacia delante hasta que oiga un clic.

Para soltar los frenos:

1. Tire de la palanca (1) hacia atrás para soltar un freno.
2. Sujete el aro de propulsión de la rueda que haya soltado.
3. Tire de la palanca del segundo freno hacia atrás.

3.3 Montaje y desmontaje de los reposabrazos

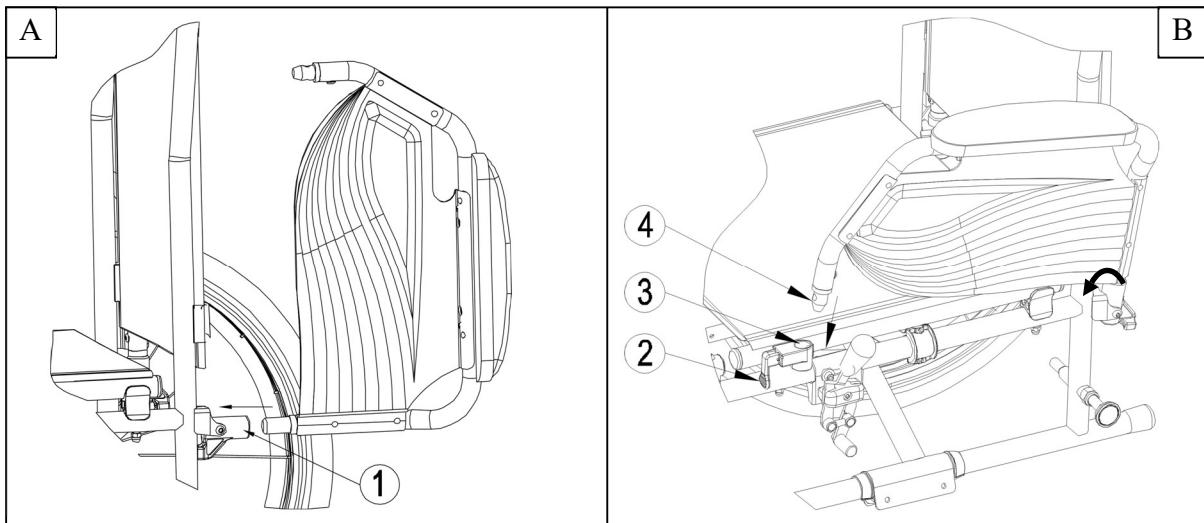
 PRECAUCIÓN

Riesgo de lesiones

- Compruebe que los reposabrazos están bloqueados en su lugar antes de usarlos.
- Mantenga los dedos y la ropa alejados de la parte inferior del reposabrazos.

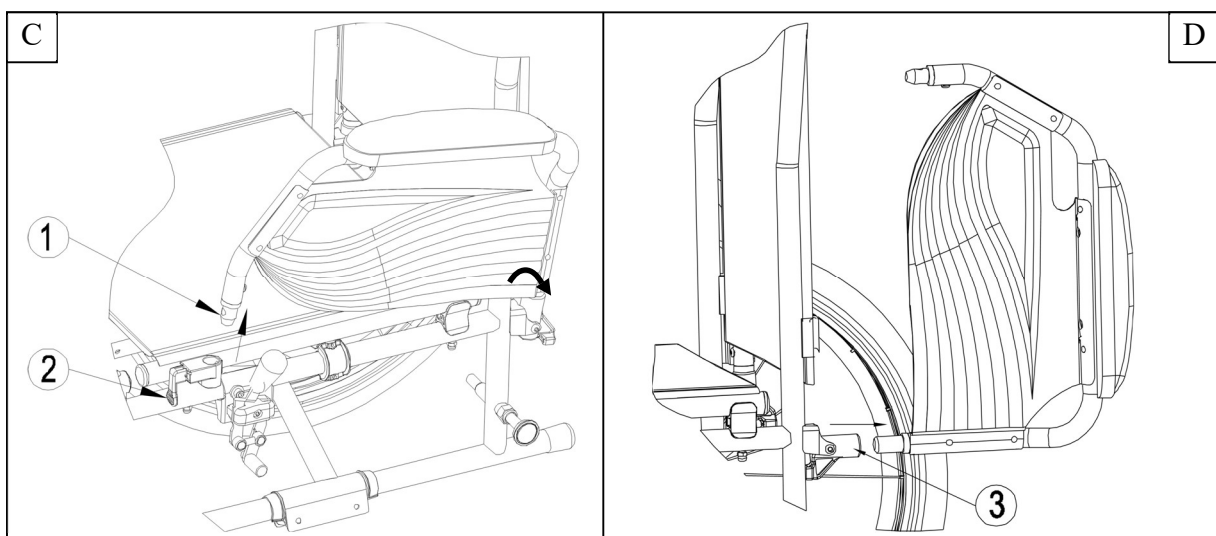
ES

1. Monte el tubo posterior del reposabrazos en el capuchón del tubo (1) (Fig. A).
2. Asegúrese de que el reposabrazos está montado correctamente.
3. Pliegue el reposabrazos hacia delante.
4. Tire hacia arriba de la palanca (2) del capuchón del tubo (3) (Fig. B).
5. Inserte, hasta oír un clic, el tubo frontal del reposabrazos (4) en el capuchón del tubo (3) (Fig. B).



Para abrir y retirar el reposabrazos:

1. Tire la palanca (2) y tire de la parte delantera del reposabrazos (1) hacia arriba (Fig. C).
2. Pliegue el reposabrazos hacia atrás.
3. Para retirar el reposabrazos, extraiga la parte posterior del reposabrazos del capuchón del tubo (3) (Fig. D).



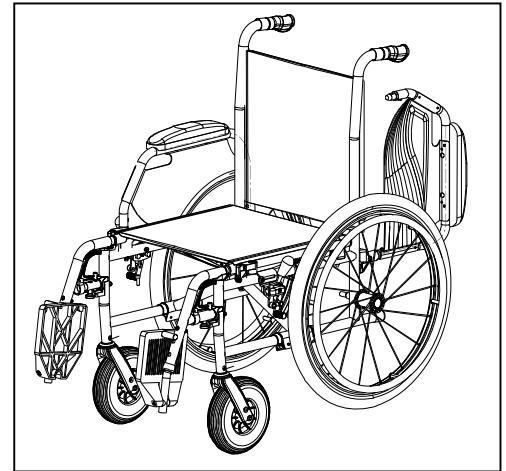
3.4 Traslado a la silla de ruedas y desde esta

 PRECAUCIÓN

Riesgo de lesiones y daños

- En caso de que no pueda realizar el traslado de forma segura, pida a alguien que le ayude.
- No se ponga de pie en los reposapiés.

1. Coloque la silla de ruedas lo más cerca posible de la silla, el sillón o la cama desde la que desea trasladarse o a la que desee ir.
2. Compruebe que los dos frenos de la silla de ruedas estén accionados.
3. Pliegue las paletas del reposapiés hacia arriba para evitar ponerse de pie en ellos.
4. Si el traslado se realiza por el lateral de la silla de ruedas, pliegue el reposabrazos de ese lado hacia arriba. (Véase el apartado 3.3).
5. Traslado a/desde la silla de ruedas.



3.4.1 Posición correcta en la silla de ruedas

Algunas recomendaciones para un uso cómodo de la silla de ruedas:

- Coloque la espalda lo más cerca posible del respaldo.
- Asegúrese de que la parte superior de las piernas se encuentre en posición horizontal. En caso necesario, ajuste la longitud de los reposapiés (véase el apartado 4.3).

3.5 Conducción de la silla de ruedas

 PRECAUCIÓN

Riesgo de lesiones y daños

- Antes de cada uso, asegúrese de que:
 - los frenos de estacionamiento funcionan adecuadamente.
 - los neumáticos están en buen estado, ver apartado 5.
- Tener cuidado de no pillarse los dedos con los radios de las ruedas.
- No manipular los aros propulsores con las manos mojadas.
- Tener cuidado de no pillarse las manos con los aros propulsores cuando esté atravesando espacios muy estrechos.
- NO conducir en pendientes o sobre obstáculos, escalones o bordillos que excedan las dimensiones que se detallan en el apartado 6.
- Cuando se detenga en una pendiente (no muy inclinada), utilizar los frenos.
- Asegúrese de que las cuatro ruedas están en contacto con el suelo cuando se esté subiendo o bajando una pendiente.
- A la hora de conducir en zonas de pendiente, hacerlo lo más despacio posible.
- Permanecer siempre en la zona pavimentada cuando se circule por vías públicas.
- Prestar atención a la carretera para detectar baches o grietas en los que puedan quedar atrapadas las ruedas.
- Evitar las piedras u otros objetos que puedan bloquear las ruedas.
- Asegúrese de que los reposapiés no chocan contra el suelo cuando esté atravesando un obstáculo.
- No utilizar la silla de ruedas en escaleras mecánicas.
- Si se dispone de él, abrocharse el cinturón de seguridad.
- Téngase siempre en cuenta el alcance de giro del reposapiés para evitar lesionar a otras personas o dañar objetos.
- Si no se tiene suficiente experiencia manejando la silla de ruedas, pedir ayuda a un auxiliar. Mantener los brazos alejados de las ruedas y los pies sobre el reposapiés.

- A la hora de atravesar escaleras, se debe contar siempre con la ayuda de dos auxiliares.
- No tratar nunca de utilizar escaleras que no estén diseñadas para sillas de ruedas.

3.5.1 Conducir la silla de ruedas:

1. Soltar los frenos.
2. Agarrar ambos aros propulsores desde el punto más alto.
3. Inclinar hacia adelante y empujar los aros propulsores hacia adelante hasta que sus brazos queden rectos.
4. Mover las manos de nuevo hacia la parte más alta de los aros y repetir el movimiento.

4 Instalación y ajuste

Este capítulo contiene instrucciones destinadas a los distribuidores especializados.

La Jazz S50 de Vermeiren es una silla de ruedas que ha sido diseñada para necesitar un ajuste mínimo. No es necesario disponer de un stock extra de piezas de repuesto.

Para encontrar un centro de servicio o un distribuidor especializado cerca de usted, póngase en contacto con el centro Vermeiren más próximo.

 PRECAUCIÓN

Riesgo de lesiones y daños

- Riesgo por ajustes peligrosos; utilice únicamente los ajustes indicados en este manual.
- Realizar ajustes en la silla puede hacer variar su estabilidad (inclinaciones hacia atrás o hacia los lados).

4.1 Herramientas

Para montar la silla de ruedas, necesita las siguientes herramientas.

- Juego de llaves inglesas del 7 al 22
- Juego de llaves Allen del 3 al 8
- Destornillador con cabeza Phillips

4.2 Forma de suministro

La silla Vermeiren Jazz S50 se entrega con:

- 1 chasis con reposabrazos, ruedas delanteras y traseras (altura del asiento de 500 mm)
- 1 par de reposapiernas
- Herramientas
- Manual
- Accesorios (opcional)
- Bomba de aire para las ruedas

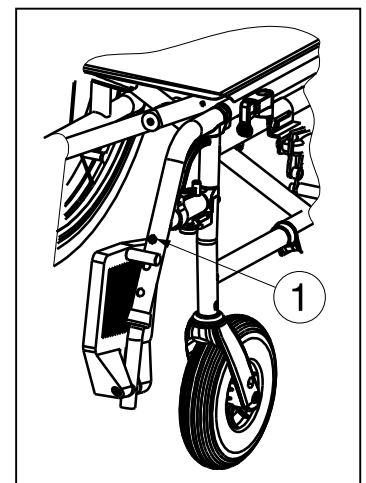
4.3 Ajuste de los reposapiés

 PRECAUCIÓN

Riesgo de desperfectos: evite que los reposapiés entren en contacto con el suelo. Mantenga una distancia mínima de 60 mm por encima del suelo.

Ajuste la longitud de los reposapiés de la siguiente manera:

1. Saque el tornillo (1).
2. Ajuste la longitud del reposapiés a la medida que le resulte cómoda.
3. Apriete el tornillo (1) correctamente.

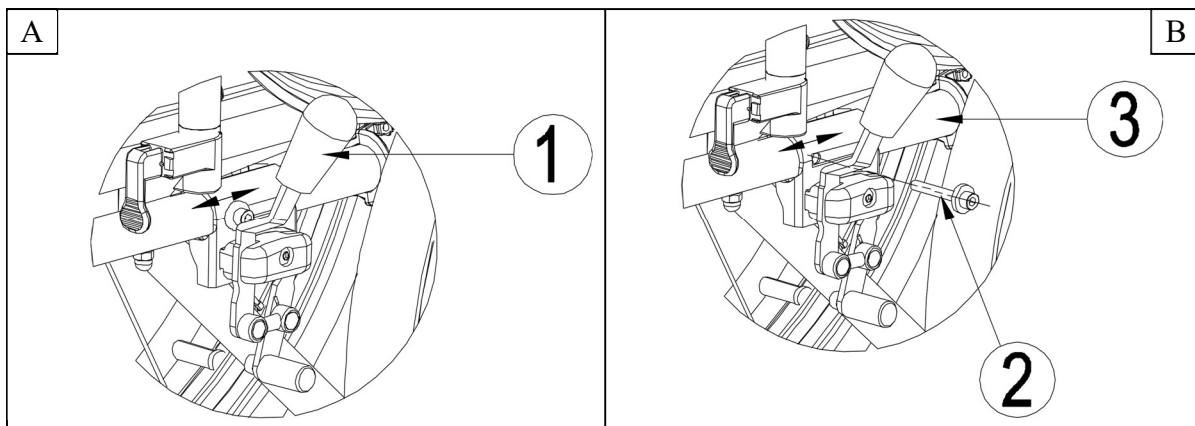


4.4 Ajuste de los frenos

PRECAUCIÓN

Riesgo de lesiones: sólo su distribuidor especializado puede ajustar los frenos.

1. Monte las ruedas según se indica en el apartado 2.6.
2. Para desconectar los frenos, tire de la palanca (1) hacia atrás (*Fig. A*).
3. Afloje los pernos (2) para que el mecanismo del freno pueda deslizarse por el chasis (3) (*Fig. B*).
4. Deslice el mecanismo del freno por el chasis (3) hasta la posición que desee (*Fig. B*). El ajuste de los frenos debe de estar dentro de la distancia marcada (4) en el mecanismo de los frenos.
5. Vuelva a apretar el perno (2) (*Fig. B*).
6. Verifique el funcionamiento de los frenos.
7. Si es necesario repita los pasos anteriores hasta que los frenos estén correctamente ajustados.



4.5 Cambio de las ruedas neumáticas

PRECAUCIÓN

Riesgo de lesiones y daños

- La llanta puede dañarse si no se maneja correctamente. Mejor que un experto realice estas actividades.
- Al montar un neumático, asegúrese de que no haya objetos o partes del cuerpo atrapados entre el neumático y la llanta.
- Cuando hinche las ruedas, compruebe siempre que la presión sea la correcta. La presión correcta se indica en la pared de los neumáticos.
- Utilizar sólo equipos de inflado que cumplan con las regulaciones e que indique la presión en bares, o utilice la bomba de aire suministrada. No aceptamos responsabilidad alguna por daños causados al usar equipos de inflado no suministrados por el fabricante.

i

- Asegúrese siempre de que las ruedas están suficientemente infladas, ya que podría afectar a la conducción.
- No ofrecemos ningún tipo de garantía para las ruedas no suministradas por el fabricante.
- Solo un experto puede garantizar un montaje correcto. Si nuestro distribuidor especializado no realiza todo el montaje, se invalida la garantía.

Si desea cambiar los neumáticos o las cámaras, deberá tener en cuenta lo siguiente:

1. Deshinche la cámara totalmente.
2. Inserte un desmontador de neumáticos entre el neumático y la llanta.
3. Empuje el desmontador hacia abajo lentamente y con cuidado. Así se pasará el neumático por el borde de la llanta.

4. Mueva el desmontador de neumáticos por la llanta y saldrá el neumático.
5. A continuación, retire cuidadosamente el neumático de la llanta y, luego, la cámara.

Compruebe que no haya cuerpos extraños en el fondo de la llanta ni la superficie del neumático y límpielos si es necesario. Compruebe el estado del fondo de la llanta, en especial alrededor de la válvula.

Use únicamente piezas de repuesto originales. No asumimos ningún tipo de responsabilidad por los daños y lesiones que se produzcan por la utilización de partes que no sean originales. Póngase en contacto con su distribuidor especializado.



Coloque el fondo de la llanta en posición por encima de la válvula de aire antes de insertarlo en la llanta. A continuación, el fondo de la llanta se puede colocar por encima fácilmente. Compruebe que todos los extremos de los radios están cubiertos (el fondo de la llanta no es necesario en el caso que la llanta sea de plástico).



Presione el neumático sobre la llanta, empezando por detrás de la válvula. Hinche la cámara ligeramente hasta que empiece a redondearse y colóquela dentro del neumático.



Cuando la cámara se encuentre dentro de la rueda sin arrugarse (si presenta arrugas, deje salir un poco de aire), se puede montar la parte superior de la rueda con facilidad presionando con ambas manos empezando de nuevo por la válvula.

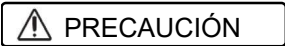
Compruebe por todos lados que la cámara no esté atrapada entre la llanta y el borde del neumático. Empuje ligeramente la válvula hacia adentro y tire de ella hacia afuera para garantizar que el neumático quede bien colocado alrededor de la válvula.

Para comprobar que la rueda esté bien colocada, inicialmente solo hínchela lo suficiente para que se pueda presionar hacia dentro con los pulgares. Si las líneas de comprobación son equidistantes del borde de la llanta en ambos lados del neumático, el neumático está bien centrado. Si no es ese el caso, deshinche el neumático y repita el proceso.

A continuación, el neumático puede hincharse hasta la presión de funcionamiento total (tenga en cuenta el máximo!!) y puede volver a poner el capuchón de la válvula.

5 Mantenimiento

5.1 Puntos de mantenimiento



Riesgo de lesiones y daños

ES

Cualquier reparación o cambios sólo pueden llevarse a cabo por personal debidamente cualificado y sólo pueden utilizarse piezas de recambio Vermeiren originales.

- i** La frecuencia de los mantenimientos depende de la frecuencia e intensidad de uso. Póngase en contacto con su distribuidor para acordar un horario común para realizar inspecciones, mantenimientos y reparaciones.

Antes de cada uso

Inspeccionar los siguientes aspectos:

- Todas las piezas: Presentes y sin daños o desgastes.
- Todas las piezas: Limpieza, ver apartado 5.2.2.
- Ruedas, respaldo, asiento, soportes para pantorrillas, reposabrazos, reposapiés: Bien asegurados.
- Estado de las ruedas/los neumáticos, ver apartado 5.2.1;
- Estado de las piezas del bastidor: Sin deformaciones, inestabilidad, debilidad o conexiones sueltas
- Asiento, respaldo, almohadillas para los brazos y para las pantorrillas, reposacabezas (si corresponde): Sin desgaste excesivo (como abolladuras, daños o grietas).
- Frenos: Sin deterioro y en buen estado de funcionamiento

Póngase en contacto con el distribuidor especializado para posibles reparaciones o sustitución de piezas.

Anualmente o más regularmente

La silla de ruedas debe superar una inspección y una sesión de mantenimiento realizados por el distribuidor especializado por lo menos una vez al año, o con mayor frecuencia. La frecuencia mínima de mantenimiento depende del uso y debe, por tanto, acordarse mutuamente con el distribuidor especializado.

5.2 Instrucciones de mantenimiento

5.2.1 Ruedas y neumáticos

- i** El correcto funcionamiento de los frenos depende del estado de los neumáticos y puede cambiar debido al desgaste o la suciedad (agua, aceite, barro...).

Mantener las ruedas libres de cables, pelos, arena y fibras.

Comprobar el perfil de los neumáticos. Si la profundidad del dibujo es inferior a 1 mm, deben sustituirse los neumáticos. Ponerse en contacto con su distribuidor especializado a este respecto. Hinchar cada neumático hasta alcanzar la presión correcta (ver la indicación de presión en los neumáticos).

5.2.2 Limpieza



Riesgo de daños por humedad

- No utilizar nunca una manguera o un limpiador a alta presión para limpiar la silla de ruedas.

Limpiar todas las piezas rígidas de la silla de ruedas con un paño húmedo (no empapado). Si fuera necesario, utilizar un jabón suave que sea apto para limpiar superficies barnizadas y sintéticas.

La tapicería puede limpiarse con agua templada y jabón suave. No utilizar productos de limpieza abrasivos.

5.2.3 Desinfección

PRECAUCIÓN

Riesgo de daños

- La desinfección sólo puede llevarla a cabo personal debidamente cualificado. Consultar con su distribuidor especializado al respecto.

5.3 Resolución de problemas

Aunque se utilice la silla de ruedas de la manera indicada, a veces pueden surgir problemas técnicos. En ese caso, póngase en contacto con su distribuidor especializado.

AVISO

Riesgo de lesiones y daños a la silla de ruedas

- No intentar NUNCA reparar la silla de ruedas por cuenta propia.

Los siguientes signos pueden ser indicadores de un problema grave. Se recomienda, por tanto, ponerse en contacto con su distribuidor especializado si nota los siguientes problemas:

- Ruidos extraños;
- Desgaste desigual de la banda de uno de los neumáticos;
- Movimientos bruscos;
- La silla de ruedas se desvía a un lado;
- Ensamblajes de las ruedas dañados o rotos.

5.4 Vida útil prevista

La vida útil media de la silla de ruedas es de 5 años. La vida útil aumentará o disminuirá dependiendo de la frecuencia de uso, las circunstancias de conducción y el mantenimiento.

5.5 Reutilizar

Antes de reutilizar la silla de ruedas, desinfectarla, inspeccionarla y hacer que pase por un mantenimiento según las instrucciones en el §5.1 y el §5.2.

5.6 Fin de vida útil

Al final de la vida útil, deberá desechar la silla de ruedas siguiendo las leyes medioambientales de su localidad. Para transportar materiales reciclables de la silla de ruedas de manera más cómoda, se recomienda que se desmonte primero.

6 Especificaciones técnicas

Los datos técnicos expuestos a continuación son sólo válidos para esta silla de ruedas, con configuración estándar y en condiciones ambientales óptimas. Tener en cuenta estos datos durante la utilización de la silla para ducha. Los valores aquí expuestos dejarán de ser aplicables si la silla de ruedas ha sido modificada, se ha dañado, o sufre de un desgaste intenso.

Tabla 1: Especificaciones Técnicas

Fabricante	Vermeiren
Tipo	Silla de ruedas manual
Modelo	Jazz S50

Descripción	Especificaciones
Peso máximo del ocupante	130 kg
Longitud total con reposapiés	1120 mm
Anchura útil del asiento	390 mm 420 mm 440 mm 460 mm 480 mm 500 mm
Anchura total (depende de la anchura del asiento)	565 mm 595 mm 615 mm 635 mm 655 mm 675 mm
Longitud plegada sin reposapiés	825 mm
Anchura plegada	290 mm
Altura plegada	935 mm
Peso total	16,60 kg
Peso de la parte más pesada	8,05 kg
Peso de las partes que pueden desmontarse o quitarse.	Reposapiés: 1,80 kg; Reposabrazos: 1,80 kg; Ruedas traseras: 4,95 kg
Estabilidad estática en pendientes descendentes	15°
Estabilidad estática en pendientes ascendentes	10°
Estabilidad estática lateral	15°
Profundidad útil del asiento	450 mm
Altura de la superficie del asiento en la parte delantera	500 mm
Ángulo del asiento	5°
Altura del respaldo	420 mm
Ángulo del respaldo	0°
Distancia entre el reposapiés y el asiento	370 - 440 mm
Ángulo entre el asiento y el reposapiés	7°
Distancia entre el reposabrazos y el asiento	220 mm
Ubicación delantera del armazón del reposabrazo	310 mm
Diámetro del aro de propulsión	535 mm



Ubicación horizontal del eje (deflexión)	10 mm
Diámetro de giro mínimo	1190 mm
Diámetro de ruedas traseras	24" (opcional 12")
Presión de los neumáticos, ruedas traseras (de tracción)	Máx. 3,5 bares
Diámetro de ruedas dirección	200 mm
Presión de los neumáticos, ruedas delanteras (de dirección)	Máx. 2,5 bares
Temperatura de almacenamiento y de uso	+ 5 °C - + 41 °C
Humedad de almacenamiento y de uso	30% - 70%

**Nos reservamos el derecho a aplicar modificaciones técnicas.
Tolerancia de la medida ± 15 mm/1,5 kg/ 1,5°.**

ES

Spis treści

Spis treści	1
Wstęp	2
1 Państwa produkt	3
1.1 Akcesoria	3
2 Opis produktu	4
2.1 Przewidziane zastosowanie	4
2.2 Objasnienie symboli	4
2.3 Ogólne instrukcje bezpieczeñstwa	4
2.4 Transport	5
2.5 Składanie / rozkładanie wózka inwalidzkiego	7
2.6 (De)Montaż tylnych kół (jeśli jest dostępny)	7
2.7 Przechowywanie	7
3 Sposób użycia	8
3.1 Montaż i demontaż podnożków	8
3.2 Obsługa hamulców	8
3.3 Montaż i demontaż podłokietników	9
3.4 Wsiadanie i zsiadanie z wózka inwalidzkiego	9
3.5 Jazda na wózku inwalidzkim	10
4 Montaż i regulacja	11
4.1 Narzędzia	11
4.2 Sposób dostawy	11
4.3 Regulacja podnożków	11
4.4 Regulacja hamulców	12
4.5 Wymiana opon	12
5 Konserwacja	14
5.1 Punkty konserwacji	14
5.2 Instrukcje konserwacji	14
5.3 Rozwiązywania problemów	15
5.4 Spodziewana trwałość	15
5.5 Ponowne użycie	15
5.6 Zakoñczenie użycowania	15
6 Parametry techniczne	16

Wstęp

Gratulacje! Stali się Państwo posiadaczem wózka inwalidzkiego Vermeiren!

Ten wózek inwalidzki został wykonany przez wykwalifikowany i zaangażowany personel. Został on zaprojektowany i wyprodukowany według wysokiej jakości standardów stosowanych przez firmę Vermeiren.

Proszę starannie zapoznać się z niniejszą instrukcją; pomoże ona Państwu zapoznać się z eksploatacją, możliwościami i ograniczeniami swojego wózka. Jeżeli wciąż mają Państwo pytania po przeczytaniu niniejszej instrukcji, proszę niezwłocznie skontaktować się ze swoim specjalistycznym dystrybutorem. Chętnie on Państwu pomoże.

Ważna informacja

Aby zagwarantować bezpieczeństwo i wydłużyć okres eksploatacji swojego produktu proszę o niego dbać oraz regularnie kontrolować i serwisować.

Niniejsza instrukcja odzwierciedla najnowszy stan rozwoju produktu. Firma Vermeiren jest uprawniona do wdrażania zmian tego typu produktu bez zobowiązań do dostosowywania lub wymiany podobnych produktów dostarczonych wcześniej.

Ilustracje służą objaśnieniu wskazówek w niniejszej instrukcji. Szczegóły odnośnie przedstawionego produktu mogą różnić się od Państwa produktu.

Dostępne informacje

Na naszej stronie internetowej <http://www.vermeiren.com/> można zawsze znaleźć najnowszą wersję informacji. Proszę regularnie sprawdzać tę stronę internetową pod kątem ewentualnych aktualizacji.

Osoby niewidome lub niedowidzące mogą pobrać elektroniczną wersję niniejszej instrukcji i odsłuchać ją przez aplikację programową syntezatora mowy.



Instrukcja obsługi

Dla użytkownika i specjalistycznego dystrybutora



Instrukcja instalacji

Dla specjalistycznego dystrybutora



Instrukcja serwisowa dla wózków inwalidzkich

Dla specjalistycznego dystrybutora



Deklaracja zgodności WE

1 Państwa produkt



1. Krzyżak
2. Uchwyty
3. Oparcie
4. Podpórki
5. Podłokietniki
6. Koła napędowe (tylnie)
7. Obręcze
8. Hamulce
9. Zaślepka
10. Koła skrętne (przednie)
11. Podnóżki
12. Płyta podnóżka
13. Siedzisko
14. Płytki określająca położenie

PL

1.1 Akcesoria

Dla modeli Jazz S50 dostępne są następujące akcesoria:

- Koła jezdne (B86)
- Podłokietniki (B05)

W przypadku pytań na temat innych akcesoriów prosimy o kontakt ze specjalistą ds. sprzedaży. Z chęcią udzieli wszelkich wyjaśnień.

2 Opis produktu

2.1 Przewidziane zastosowanie

W niniejszej sekcji przedstawiono krótki opis przewidzianego zastosowania wózka inwalidzkiego. W pozostałych sekcjach instrukcje zostały opatrzone istotnymi ostrzeżeniami. W ten sposób chcemy zwrócić uwagę użytkowników na możliwość nieprawidłowej eksploatacji produktu.

- Wskazania i przeciwwskazania: Użytkownik może napędzać wózek samodzielnie lub może być popychany przez opiekuna. Wózek inwalidzki jest przeznaczony dla osób o ograniczonej zdolności lub braku zdolności chodzenia. Wiele rodzajów mocowań i akcesoriów, a także modułowa konstrukcja, umożliwiają pełne użytkowanie wózka przez osoby starsze oraz osoby dotknięte niepełnosprawnością z powodu: paraliżu; utraty kończyn (amputacji nóg); uszkodzenia lub deformacji kończyn; sztywnych lub uszkodzonych stawów; niewydolności serca i słabego krążenia krwi; zaburzeń równowagi; kacheksji (ubytków masy mięśniowej).
- Wózek przeznaczony jest do użycia wewnątrz jak i na zewnątrz budynków.
- Wózek inwalidzki jest zaprojektowany do transportu jednej osoby ważącej maksymalnie 130 kg. Nie jest przeznaczony do transportu towarów, przedmiotów ani innego wykorzystania niż wcześniej opisane.
- Używać wyłącznie akcesoriów i części zapasowych zatwierdzonych przez Vermeiren.
- Należy się zapoznać ze wszystkimi danymi technicznymi i ograniczeniami wózka, które wskazano w rozdziale 6.
- Gwarancja na produkt jest udzielona przy założeniu normalnego użytkowania i konserwacji, opisanych w niniejszej instrukcji. Uszkodzenie produktu spowodowane nieprawidłową eksploatacją lub brakiem konserwacji spowoduje unieważnienie gwarancji.

2.2 Objaśnienie symboli



Maksymalna masa użytkownika w kg



Do użytku na zewnątrz/w pomieszczeniach



Maksymalne bezpieczne nachylenie terenu w ° (stopniach).



Oznaczenie typu

2.3 Ogólne instrukcje bezpieczeństwa

- Nie korzystać z wózka inwalidzkiego będąc pod wpływem alkoholu, leków lub innych substancji mogących wpływać na zgodności do jazdy.
- Należy pamiętać, że niektóre części wózka mogą się mocno rozgrzewać lub ochładzać pod wpływem temperatury zewnętrznej, promieniowania słonecznego lub urządzeń grzewczych. Zachować ostrożność podczas dotykania. Nosić odzież ochronną podczas chłodnej pogody. Będąc na zewnątrz można założyć rękawice do jazdy, poprawiając chwytność obręczy napędowej.
- Nie dokonywać żadnych modyfikacji wózka inwalidzkiego.
- By zapobiec urazom i/lub uszkodzeniom wózka należy upewnić się, że żadne przedmioty i/lub części ciała nie utknęły w szprychach kół jezdnych.

Korzystając z wózka inwalidzkiego musisz być świadomym, że w zależności od użytych ustawień może on kolidować z niektórymi systemami antykradzieżowymi. Może to spowodować uruchomienie alarmu w sklepie.

W przypadku wystąpienia poważnego incydentu z udziałem produktu, należy powiadomić firmę Vermeiren lub specjalistycznego sprzedawcę, jak również właściwe władze w swoim kraju.

2.4 Transport

2.4.1 Przesuwanie na bok

Najlepszym sposobem przenoszenia wózka inwalidzkiego jest prowadzenie go z wykorzystaniem jego kół.

Jeśli nie jest to możliwe (np. w przypadku demontażu tylnych kół w celach transportu wózka w samochodzie), należy mocno chwycić wózek za ramę z przodu oraz za uchwyty. Nie należy podnosić wózka, chwytając za podnózek, oparcia boczne lub koła.

2.4.2 Transport w pojeździe jako bagaż

**UWAGA**

Ryzyko urazu

- Upewnij się, że wózek inwalidzki jest prawidłowo umocowany. Pozwoli to zapobiec urazom pasażerów podczas kolizji lub gwałtownego hamowania.
 - NIGDY nie używaj jednego pasa bezpieczeństwa do zabezpieczenia pasażera i wózka inwalidzkiego.
1. Złożyć wózek inwalidzki do najbardziej kompaktowej wielkości zgodnie z instrukcją w § 2.5.
 2. Umieścić wózek inwalidzki i jego koła w przedziale bagażowym lub za siedzeniem pasażera. Jeżeli bagaż i przedział pasażera NIE są oddzielone lub zamknięte, przymocować bezpiecznie ramę wózka inwalidzkiego do pojazdu.

2.4.3 Transport w pojeździe jako siedzisko dla użytkownika

**UWAGA**

Ryzyko obrażeń lub uszkodzeń

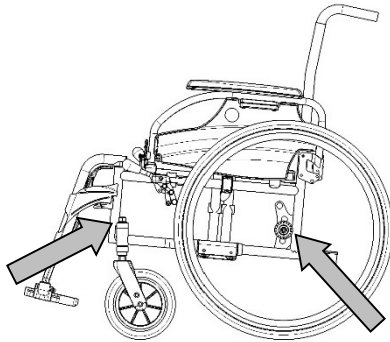
- Wózek przeszedł test zderzeniowy wg normy ISO 7176-19: 2008 i jako taki został zaprojektowany i przetestowany do użycia wyłącznie przodem do kierunku jazdy w pojazdach silnikowych.
- Sam pas biodrowy nie nadaje się jako pas zabezpieczający pasażerów.

Wózek inwalidzki jest przetestowany przy użyciu czterech punktów mocujących i z 3-punktowym system mocowania pasażera. Gdy jest to możliwe, należy użyć siedzeń pojazdu a wózek przewozić w przestrzeni ładunkowej pojazdu.

Czynności, aby zabezpieczyć wózek w pojeździe:

1. Sprawdź, czy pojazd jest wyposażony w odpowiedni system przytrzymujący wózek i pasażera, zgodnie z normą ISO 10542.
2. Sprawdź, czy elementy wózka i urządzenie przytrzymujące, nie są postrzępione, skażone, uszkodzone.
3. Jeśli wózek wyposażony jest w regulowany fotel i/lub oparcie, upewnij się, że ww. elementy są ustawione w pozycji pionowej a pasażer w wózku inwalidzkim siedzi w pozycji pionowej. Jeśli stan pasażera nie pozwala na takie ułożenie, należy ocenić ryzyko, aby zapewnić bezpieczeństwo pasażera podczas transportu.
4. Usuń wszystkie zamontowane akcesoria takie jak stoliki, respirator itp. i przymocuj je w bezpiecznym miejscu.
5. Wózek ustawić do przodu w kierunku jazdy, centralnie między szynami mocującymi zamontowanymi w podłodze pojazdu.
6. W pierwszej kolejności zamontuj pasy mocujące z przodu wózka zgodnie z instrukcją producenta systemu mocującego we wskazane miejsce (Rysunek 1). Miejsce mocowania jest zaznaczone na wózku inwalidzkim z symbolem (Rysunek 2).
7. Wycofaj wózek do momentu aż pasy z przodu się napną.
8. Załącz hamulec w wózku inwalidzkim.

9. Następnie zamontuj pasy mocujące na tylnej ramie wózka we wskazanym miejscu zgodnie z instrukcją producenta systemu pasów (Rysunek 1). Miejsce jest zaznaczone na wózku inwalidzkim z symbolem (Rysunek 2).



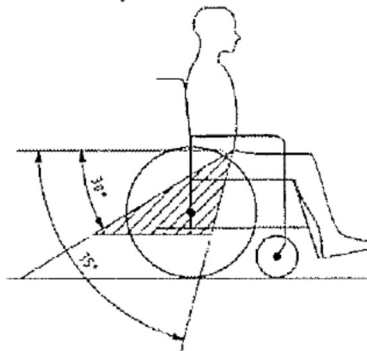
Rysunku 1



Rysunku 2

Kroki w celu zapewnienia bezpieczeństwa użytkownikowi wózka inwalidzkiego:

1. Wyjmij oba podłokietniki.
2. Jeśli występuje, dołącz wózka pas biodrowy.
3. Dołącz pasy zabezpieczające pasażera zgodnie z instrukcją producenta pasów.
4. Pas biodrowy, powinien być tak zamontowany, aby kąt pasa znajdował się w strefie 30 ° do 75 ° do poziomu, tak jak pokazano poniżej.



5. Preferowany jest większy kąt zapięcia.
6. Dostosuj naciąg pasa ściśle według instrukcji producenta pasów tak, aby zapewnić komfort użytkownika.
7. Upewnij się, że taśmy przytrzymujące łączą się w linii prostej do punktu zakotwiczenia w samochodzie i nie są nigdzie blokowane na przykład na osi tylnego koła.
8. Zainstaluj podłokietniki, upewnij się, że pasy nie są skręcone i przechodzą z dala od ruchomych elementów wózka inwalidzkiego, takich jak podłokietniki czy koła.

Pasy nie mogą przechodzić przez części wózka na jak podłokietnik czy koła



Pasy nie mogą przechodzić przez części wózka na jak podłokietnik czy koła.



2.5 Składanie / rozkładanie wózka inwalidzkiego

 UWAGA

Ryzyko przytraśnięcia – Trzymaj palce w bezpiecznej odległości od ruchomych części wózka inwalidzkiego.

Rozkładanie wózka inwalidzkiego:

1. Stań za wózkiem inwalidzkim.
2. Trzymając za uchwyty, maksymalnie rozłóż wózek.
3. Stań przed wózkiem inwalidzkim.
4. Dociśnij obie rurki siedziska w dół, aż zostaną zablokowane na pozycjach.

Składanie wózka inwalidzkiego:

1. Złóż lub wymontuj płyty podnóżków (patrz § 3.1).
2. Chwyć siedzenie za przód i oparcie, a następnie pociągnij w górę.
3. Naciśnij uchwyty, aby kontynuować składanie.

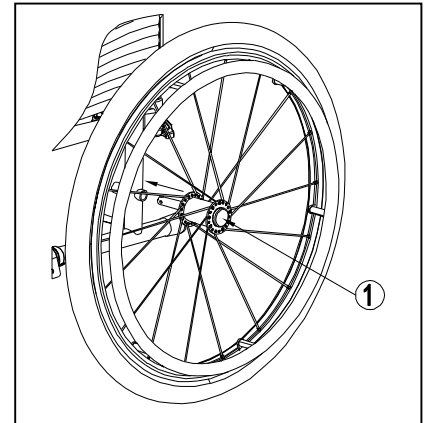
2.6 (De)Montaż tylnych kół (jeśli jest dostępny)

2.6.1.1 Sposób demontażu tylnych kół

1. Nacisnąć i przytrzymać przycisk (1) wysuwając oś koła z otworu ramy.
2. Powtórzyć czynność dla drugiego koła i umieścić wózek inwalidzki delikatnie na tylnych rurach ramy.

Sposób instalacji tylnych kół

1. Wziąć jedno z tylnych kół i podnieść wózek inwalidzki z jednej strony.
2. Nacisnąć i przytrzymać przycisk (1) wsuwając koło na oś.
3. Zwolnić przycisk, aby zablokować koło. Upewnić się, że zatrzasnęło się z kliknięciem.
4. Powtórzyć tę czynność dla drugiego koła.
5. Upewnić się, że oba są mocno dokręcone.



2.7 Przechowywanie

- i** Wózek inwalidzki powinien być przechowywany w suchym środowisku, aby zapobiec tworzeniu się na nim pleśni i uszkodzeniu tapicerki, patrz też rozdział 6.

3 Sposób użycia

UWAGA

Ryzyko obrażeń i / lub uszkodzeń

- Zacząć od przeczytania poprzednich rozdziałów i zaznajomienia się z przewidzianym zastosowaniem. NIE używać wózka, dopóki wszystkie instrukcje nie zostaną przeczytane i zrozumiane.
- W razie wątpliwości i pytań prosimy o kontakt z lokalnym wyspecjalizowanym sprzedawcą, opiekunem lub doradcą technicznym, który udzieli pomocy.
- Upewnić się, że ręce, odzież, pasy, sprzączki lub biżuteria nie zablokują się w kołach lub innych ruchomych częściach podczas użytkowania lub regulacji.

3.1 Montaż i demontaż podnóżków

UWAGA

Ryzyko zranienia

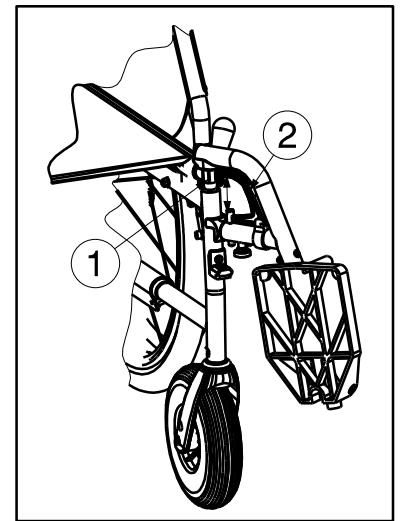
- Przed użyciem sprawdź prawidłowe zapięcie podnóżków.
- Trzymaj wszelkie przedmioty w bezpiecznej odległości od osi obrotu podnóżków podczas zapinania i odpinania.

Aby zamontować podnóżki:

1. Przytrzymaj podnóżek w poprzek po zewnętrznej stronie ramy wózka inwalidzkiego i zamontuj rurkę (1) w ramie.
2. Obróć podnóżek do wewnątrz, aż wskoczy na miejsce.
3. Obróć płytę podnóżka w dół.

Aby zdemontować podnóżki:

1. Pociągnij za uchwyt (2).
2. Obróć podnóżek na zewnątrz wózka inwalidzkiego, aż do jego zwolnienia z szyny.
3. Wyciągnij rurkę podnóżka z ramy (1).

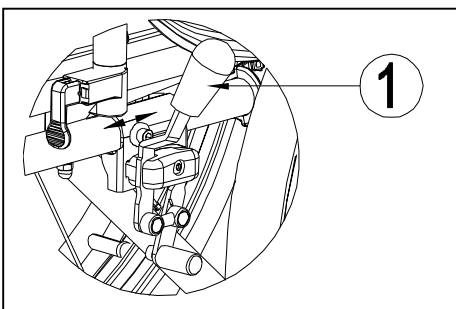


3.2 Obsługa hamulców

UWAGA

Ryzyko zranienia

- Hamulce nie służą do spowalniania wózka inwalidzkiego w trakcie ruchu. Należy ich używać wyłącznie, aby nie dopuścić do niepożądanych ruchów wózka.
- Na prawidłową pracę hamulców wpływ ma zużycie oraz zanieczyszczenie ogumienia (woda, olej, błoto, ...). Należy sprawdzać stan ogumienia przed każdym użyciem.
- Hamulce są regulowane i mogą ulec zużyciu. Należy sprawdzać stan hamulców przed każdym użyciem.
- Przed zwolnieniem hamulców upewnij się, że wózek inwalidzki znajduje się na płaskiej, poziomej powierzchni. Nigdy nie zwalniasz obu hamulców jednocześnie.



Aby zaciągnąć hamulec:

1. Popchnij dźwignie hamulców w przód, aż da się słyszeć wyraźne kliknięcie.

Aby zwolnić hamulce:

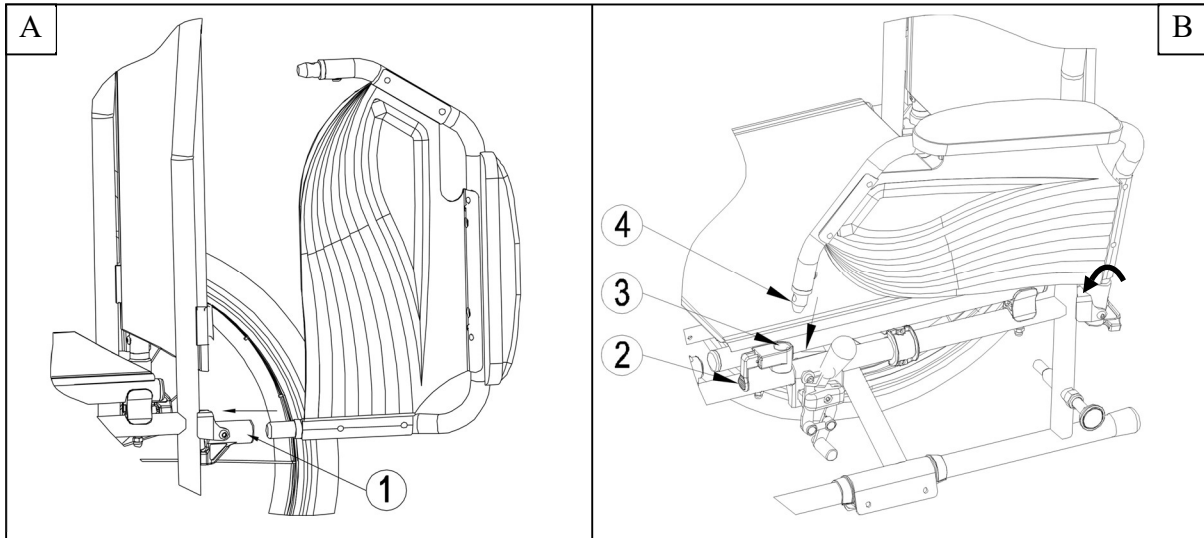
1. Zwolnij jeden hamulec, pociągając dźwignię w tył.
2. Przytrzymaj dłoń obręcz zwolnionego koła.
3. Zwolnij drugi hamulec, pociągając dźwignię w tył.

3.3 Montaż i demontaż podłokietników

UWAGA Ryzyko zranienia

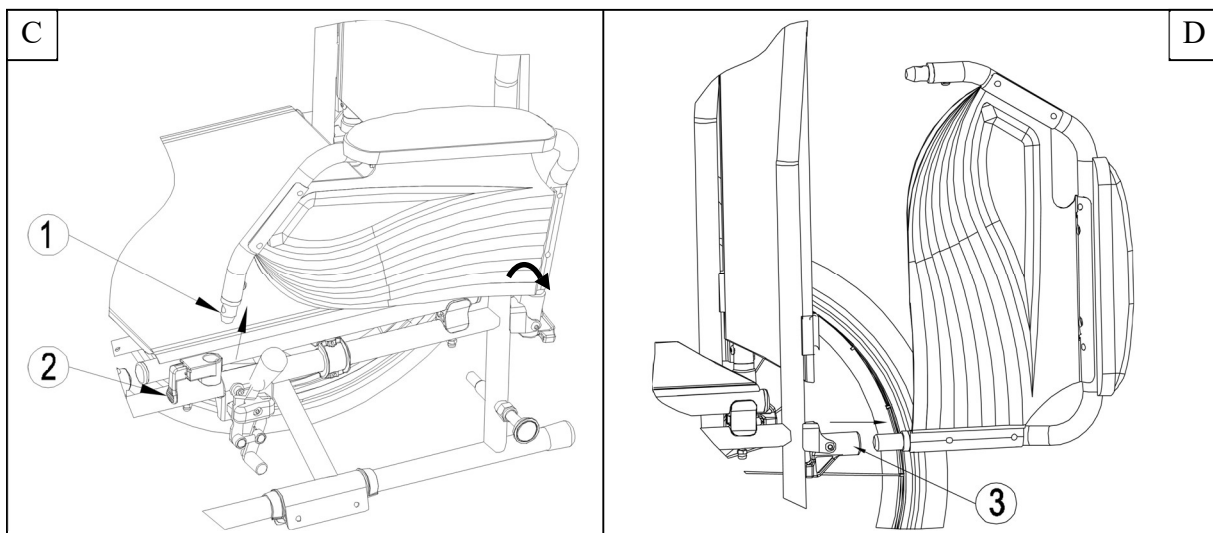
- Przed użyciem wózka upewnij się, że podłokietniki są prawidłowo zamontowane.
- Trzymaj palce i odzież z dala od dolnej części podłokietnika.

1. Zamontuj tylną rurkę podłokietnika w ramie (1) (rys. A).
2. Upewnij się, że podłokietnik jest prawidłowo zamocowany.
3. Pochyl podłokietnik w przód.
4. Wyciągnij dźwignię (2) z ramy (3) do góry (rys. B).
5. Zamocuj przednią rurkę podłokietnika (4) w ramie (3) (rys. B).



Aby rozłożyć i zdemontować podłokietnik:

1. Naciśnij dźwignię (2) i pociągnij przód podłokietnika (1) w górę (rys. C).
2. Odchyl podłokietnik w tył.
3. Aby wymontować podłokietnik, wyciągnij tylną część podłokietnika z ramy (3) (rys. D).

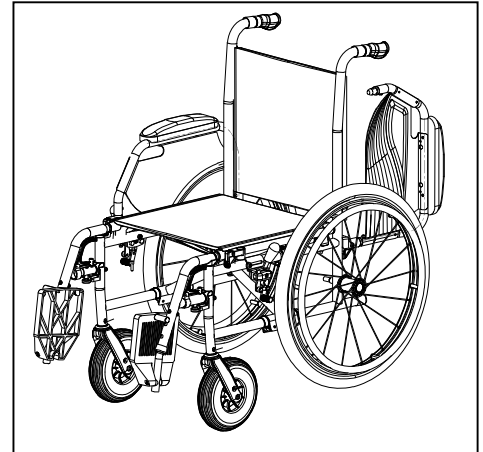


3.4 Wsiadanie i zsiadanie z wózka inwalidzkiego

UWAGA Ryzyko odniesienia obrażeń i/lub uszkodzenia

- Jeśli nie można samemu bezpiecznie wsiąść lub zsiąść z wózka inwalidzkiego, należy poprosić kogoś o pomoc.
- Nie wolno stawać na płytach podnóżka.

1. Ustaw wózek jak najbliżej krzesła, kanapy lub łóżka na/z którego przenosi się użytkownik.
2. Upewnij się, że oba hamulce wózka inwalidzkiego są zaciągnięte.
3. Odchyl płyty podnóżka w górę, uniemożliwiając stanięcie na nich.
4. Jeśli przemieszczanie zachodzi w poprzek wózka, odchyl podłokietnik po tej stronie wózka w górę (patrz § 2.6).
5. Wsiądź na/zsiądź z wózka inwalidzkiego.



3.4.1 Prawidłowa pozycja na wózku inwalidzkim

Zalecenia dotyczące wygodnego korzystania z wózka inwalidzkiego:

- Ułóż plecy tak blisko oparcia, jak to możliwe.
- Upewnij się, że uda ułożone są w poziomie. W razie potrzeby dostosuj długość podnóżków (patrz § 4.3).

3.5 Jazda na wózku inwalidzkim

 UWAGA

Ryzyko obrażeń i uszkodzeń

- Przed każdym użyciem należy się upewnić, że:
 - hamulce postojowe działają prawidłowo,
 - opony są w dobrym stanie, patrz §5.
- Uważać, aby nie włożyć palców do szprych koła.
- Nie obsługiwać obręczy napędowej mokrymi rękami.
- Uważać zablokowanie rąk na obręczy napędowej przejeżdżając przez wąskie przejścia.
- NIE przejeżdżać po stromych nachyleniach, przeszkodach, stopniach lub krawężnikach większych, niż określono w §6.
- Zatrzymując się na (małym) nachyleniu należy użyć hamulców.
- Upewnić się, że wszystkie cztery koła dotykają podłoża podczas jazdy w górę i w dół po nachyleniu.
- Nachylenia pokonywać jak najwolniej.
- Jeżdżąc po drogach publicznych należy zawsze korzystać z chodnika.
- Zwracać uwagę, czy na drodze nie ma dziur ani szczelin, w których koła mogą zostać uwięzione.
- Unikać kamieni i innych obiektów, które mogą zablokować koła.
- Upewnić się, że płyty podnóżka nie dotykają podłoża podczas pokonywania przeszkody.
- Nie korzystać z wózka inwalidzkiego w windzie.
- Jeżeli to możliwe, zapinać pas bezpieczeństwa.
- Należy zawsze zwracać uwagę na zakres obrotu płyty podnóżka, aby nie spowodować obrażeń ciała osób w pobliżu czy uszkodzenia przedmiotów.
- W przypadku braku doświadczenia w poruszaniu się wózkiem inwalidzkim należy poprosić o pomoc drugiej osoby. Odsunąć ręce od kół, a stopy położyć na płycie podnóżka.
- Stopnie należy pokonywać zawsze przy pomocy dwóch pomocników.
- Nie próbować korzystać ze schodów, które nie są przystosowane do wózków inwalidzkich.

3.5.1 Jazda wózkiem inwalidzkim:

1. Zwolnić hamulce.
2. Chwycić obie obręcze napędowe w najwyższym punkcie.
3. Pochylić się do przodu i popchnąć obręcze napędowe do przodu do momentu wyprostowania rąk.
4. Przemieścić ręce ponownie na górną część obręczy napędowych i powtórzyć ruch.

4 Montaż i regulacja

Instrukcje zawarte w niniejszym rozdziale są przeznaczone dla wyspecjalizowanego sprzedawcy.

Model Vermeiren Jazz S50 został zaprojektowany jako wózek inwalidzki z minimalną liczbą regulacji. Nie jest wymagany zapas dodatkowych części zamiennych.

Informacje na temat najbliższych punktów usługowych lub przedstawicieli otrzymać można w najbliższym biurze Vermeiren.

PL

 **UWAGA** Ryzyko obrażeń i uszkodzeń

- Należy używać wyłącznie zakresów opisanych w niniejszej instrukcji.
- Modyfikacja w ramach dopuszczalnego stopnia regulacji może prowadzić do zmiany stabilności wózka inwalidzkiego (może powodować przechylenie w tył lub na bok).

4.1 Narzędzia

Do regulacji ustawień wózka inwalidzkiego wymagane są następujące narzędzia.


- Zestaw kluczy nr 7 - 22
- Zestaw kluczy imbusowych nr 3 - 8
- Wkrętak krzyżakowy

4.2 Sposób dostawy

Dostarczany wózek Vermeiren Jazz S50 będzie zawierał:

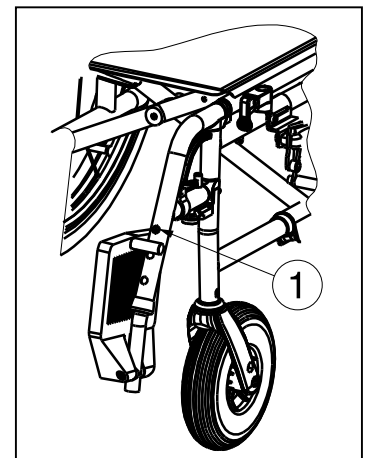
- 1 ramę z podłokietnikami, tylnymi i przednimi kołami (wysokość siedzenia 500 mm);
- 1 parę podnóżków;
- klucz imbusowy;
- instrukcję obsługi;
- akcesoria. (opcjonalne)
- pompkę

4.3 Regulacja podnóżków

 **UWAGA** Ryzyko uszkodzenia – należy unikać kontaktu podnóżków z podłożem. Zachowaj minimalny odstęp 60 mm od podłoża.

Ustaw długość podnóżków zgodnie z poniższą instrukcją:

1. Odkręć nakrętkę (1).
2. Ustaw podnóżki na wygodną długość.
3. Odpowiednio dokręć śrubę (1).

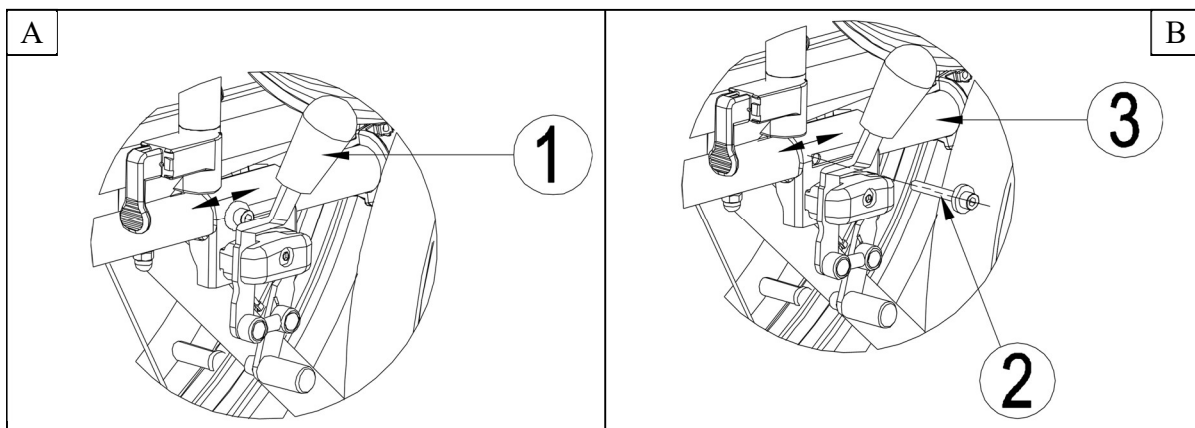


4.4 Regulacja hamulców

UWAGA

Ryzyko urazu – regulacji hamulców może dokonywać wyłącznie wyspecjalizowany sprzedawca.

1. Zamontuj koła zgodnie z § 2.6.
2. Odłącz hamulce, pociągając dźwignię (1) w tył (rys. A).
3. Poluzuj śruby (2), aby umożliwić ruch mechanizmu hamulcowego po szynie (3) (rys. B).
4. Przesuń mechanizm hamulcowy na szynie (3) do żądanej pozycji (rys. B). Regulacja hamulca powinna odbywać się w zakresie znacznika (4) umieszczonego na mechanizmie hamulca.
5. Dokręć śruby (2) (rys. B).
6. Sprawdź pracę hamulców.
7. W razie potrzeby powtórz powyższe czynności aż do poprawnego wyregulowania hamulców.



4.5 Wymiana opon

UWAGA

Ryzyko odniesienia obrażeń i/lub uszkodzenia

- W przypadku niewłaściwej obsługi można uszkodzić obręcz. Lepiej będzie powierzyć te czynności ekspertowi.
- W czasie montażu opony należy upewnić się, że żadne przedmioty lub części ciała nie są wciśnięte pomiędzy oponę a poręcz,
- W czasie pompowania opon należy zawsze sprawdzać czy poziom ciśnienia jest prawidłowy. Właściwe ciśnienie jest podane na ściankach opony.
- Należy korzystać jedynie ze sprzętu, który odpowiada przepisom i pokazuje ciśnienie w jednostkach bar, bądź użyć dołączonej pompki do pompowania. Nie przyjmujemy żadnych roszczeń w stosunku do uszkodzeń spowodowanych użyciem sprzętu do pompowania nie pochodzącego od producenta.

i

- Zawsze upewnij się, że koła są wystarczająco napompowane, gdyż ma to bezpośredni wpływ na prowadzenie wózka.
- Nie ponosimy żadnej odpowiedzialności za koła nie dostarczone przez producenta.
- W dętce nie może znajdować się powietrze przed jej zdjęciem.

Jeśli chcecie wymienić opony lub dętki zwróćcie uwagę na następujące czynności:

1. Spuść całkowicie powietrze z dętki.
2. Włóż płaski klucz pomiędzy oponę a obręcz koła.
3. Powoli i delikatnie przechyl klucz do dołu, pozwoli to ściągnąć brzeg opony poza krawędź obręczy.
4. Następnie przesuń klucz po obwodzie obręczy, aż cały brzeg opony zeskończy z obręczy.
5. Teraz ostrożnie ściągnij oponę z obręczy koła i wyciągnij dętkę.

Sprawdzić podłoże obręczy oraz stronę wewnętrzną opony czy nie znajdują się tam jakieś ciała obce a następnie je usunąć. Sprawdzić stan podłoża obręczy, szczególnie w okolicy zaworu powietrza.

Należy używać wyłącznie oryginalnych części zamiennych. Nie przyjmujemy żadnych roszczeń dotyczących uszkodzeń części nieoryginalnych. Prosimy o skontaktowanie się z waszym specjalistycznym dealerem.



Należy umieścić taśmę poręczy w pozycji nad zaworem powietrza przed wprowadzeniem go w obręcz. Wówczas taśma będzie się łatwo naciągać. Upewnić się, że główki szprych są zakryte (taśma poręczy nie jest niezbędną przy plastikowych obręczach).

PL



Należy wepchnąć oponę na krawędź obręczy, zaczynając poza zaworem powietrza. Nieznacznie napełnić dętkę powietrzem do uzyskania okrągłego kształtu a następnie umieścić ją wewnątrz opony.



Jeśli dętka jest dobrze dopasowana do opony bez zagięć (w przypadku zagięć: wypuścić trochę powietrza) górna strona opony może być delikatnie naciągnięta obiema rękami na krawędź obręczy poczynając od zaworu powietrza.

Należy sprawdzić z obu stron czy dętka nie jest wciśnięta pomiędzy poręczą a brzegiem opony. Nieznacznie wcisnąć zawór powietrza, następnie ponownie wyciągnąć by upewnić się, że opona jest właściwie usytuowana w miejscu zaworu powietrza.

Dla upewnienia się czy koło jest właściwie napompowane należy wprowadzić jedynie tyle powietrza by można było z łatwością wpychać oponę do środka używając kciuków. Jeśli linie kontrolne są jednakowo odległe od krawędzi poręczy po obu stronach opony wówczas jest ona usytuowana właściwie. Jeśli nie – należy wypuścić powietrze i usytuować oponę jeszcze raz.

Teraz opona może być napompowana do poziomu jej ciśnienia eksploatacyjnego (należy zwrócić uwagę na poziom maksymalny) a kapturek zaworu włożyć na swoje miejsce.

5 Konserwacja

5.1 Punkty konserwacji

 UWAGA

Ryzyko obrażeń i uszkodzeń

Naprawy i wymiana części mogą być przeprowadzane tylko przez przeszkolone osoby i wolno korzystać z oryginalnych części zamiennych Vermeiren.

i Częstotliwość serwisowania zależy od częstotliwości i intensywności użytkowania. Skontaktować się z dystrybutorem celem uzgodnienia harmonogramu inspekcji / konserwacji / naprawy.

5.1.1 Przed każdym użyciem

Przejrzeć następujące punkty:

- Wszystkie części: Obecne, nie uszkodzone i nie zużyte.
- Wszystkie części: Wyczyścić, patrz § 5.2.2.
- Koła, oparcie, siedzisko, podparcie łydki, podłokietnik, płyta podnóżka: Dobrze zabezpieczone.
- Stan kół/opon, patrz § 5.2.1;
- Stan części ramy: Brak deformacji, niestabilność, słabe lub luźne połączenia
- Siedzenie, oparcie, podpórki ramion, podpórki łydek i oparcia (jeżeli dotyczy): Brak nadmiernego zużycia (punkty wgniecia, uszkodzenia lub rozerwania).
- Hamulce: Nieuszkodzone i sprawne

Skontaktować się ze specjalistycznym dystrybutorem pod kątem ewentualnych napraw lub wymiany.

5.1.2 Raz w roku lub częściej

Co najmniej raz w roku lub częściej zlecać kontrolę i serwisowanie wózka inwalidzkiego wykwalifikowanemu dystrybutorowi. Minimalna częstotliwość konserwacji jest uzależniona od użytkowania i należy ją uzgodnić z wykwalifikowanym dystrybutorem.

5.2 Instrukcje konserwacji

5.2.1 Koła i opony

i Odpowiednie działanie hamulców jest uzależnione od stanu opon i może się zmieniać ze względu na zużycie i zanieczyszczenie (woda, olej, błoto, ...)

Usuwać z kół druty, włosy, piasek i włókna.

Sprawdzić profil opon. Jeżeli głębokość bieżnika jest mniejsza, niż 1 mm, opony należy wymienić. W tej sprawie należy skontaktować się ze specjalistycznym dystrybutorem.

Napompować każdą pneumatyczną oponę odpowiednim ciśnieniem (patrz informacja odnośnie ciśnienia na oponach).

5.2.2 Czyszczenie

 UWAGA

Ryzyko uszkodzenia przez wilgoć.

- Do czyszczenia wózka inwalidzkiego nie wolno nigdy stosować węża ani myjki ciśnieniowej.

Wytrzeć wszystkie sztywne części wózka wilgotną szmatką (nie wykręconą). W razie konieczności użyć łagodnego mydła, odpowiedniego do lakierów i materiałów syntetycznych. Tapicerkę można czyścić letnią wodą i łagodnym mydłem. Do czyszczenia nie używać szorstkich środków czyszczących.

5.2.3 Dezynfekcja

UWAGA

Ryzyko uszkodzenia

- Dezynfekcja może być przeprowadzana tylko przez przeszkolone osoby. Skonsultować się ze specjalistycznym dystrybutorem.

5.3 Rozwiązywania problemów

Nawet w przypadku prawidłowego korzystania z wózka może wystąpić problem techniczny. W takim przypadku należy skontaktować się z lokalnym specjalistycznym dystrybutorem.

**OSTRZEŻENIE**

Ryzyko obrażeń i uszkodzenia wózka inwalidzkiego

- NIGDY nie próbować naprawiać wózka samodzielnie.

Poniższe symptomy mogą oznaczać poważny problem. Dlatego też w przypadku zauważenia poniższych niezgodności należy zawsze skontaktować się ze specjalistycznym dystrybutorem.

- Dziwne dźwięki;
- Nierównomierne zużycie bieżnika opon;
- Szarpane ruchy;
- Wózek inwalidzki ściąga na jedną stronę;
- Uszkodzone lub pęknięte zespoły koła.

5.4 Spodziewana trwałość

Przeciętna trwałość wózka inwalidzkiego wynosi 5 lat. W zależności od częstotliwości użytkowania, warunków jazdy i konserwacji, trwałość wózka może się wydłużyć lub skrócić.

5.5 Ponowne użycie

Przed każdym ponownym użyciem wózek należy zdezynfekować, skontrolować i poddać konserwacji zgodnie z instrukcjami w §5.1 i §5.2.

5.6 Zakończenie użytkowania

Po zakończeniu okresu użytkowania należy poddać wózek utylizacji, zgodnie z lokalnymi przepisami ochrony środowiska. Najlepszym sposobem jest demontaż wózka inwalidzkiego, aby ułatwić transport części poddawanych utylizacji.

6 Parametry techniczne

Poniższe szczegóły techniczne dotyczą tylko wózka inwalidzkiego przy standardowych ustawieniach i optymalnych warunkach otoczenia. Podczas użytkowania należy wziąć pod uwagę te szczegóły. Wartości nie mają już zastosowania, gdy wózek inwalidzki został zmodyfikowany, uszkodzony lub jest poważnie zużyty.

Tabela 1: Dane techniczne

Producent	Vermeiren
Typ	Ręczny wózek inwalidzki
Model	Jazz S50

Opis	Jazz S50
Maksymalna waga użytkownika	130 kg
Długość całkowita z podnóżkiem	1120 mm
Szerokość użytkowa siedziska	390 mm 420 mm 440 mm 460 mm 480 mm 500 mm
Szerokość całkowita (zależy od szerokości siedziska)	565 mm 595 mm 615 mm 635 mm 655 mm 675 mm
Długość po złożeniu	825 mm
Szerokość po złożeniu	290 mm
Wysokość po złożeniu	935 mm
Waga całkowita	16,60 kg
Waga najcięższej części	8,05 kg
Waga części, które mogą być demontowane lub usunięte	Podnóżki: 1,80 kg; Oparcia na dłonie: 1,80 kg; Koła napędowe (tylnie): 4,95 kg
Stabilność statyczna z górki	15°
Stabilność statyczna pod górkę	10°
Stabilność statyczna w poprzek	15°
Głębokość użytkowa siedziska	450 mm
Wysokość przedniej krawędzi siedziska	500 mm
Pochylenie siedziska	5°
Wysokość oparcia	420 mm
Kąt nachylenia oparcia	0°
Odległość siedziska od podnóżka	370 - 440 mm
Kąt pomiędzy siedziskiem a podnóżkiem	7°
Odległość siedziska od podłokietnika	220 mm
Przednia pozycja podłokietnika	310 mm
Średnica obręczy	535 mm
Pozycja osi w poziomie (odchył)	10 mm
Minimalny promień skrętu	1190 mm
Średnica kół tylnych	24" (opcjonalne 12")



Ciśnienie w oponach, koła tylne (napędowe)	Maksymalnie 3,5 bara
Średnica kół skrętnych	200 mm
Ciśnienie w oponach, koła skrętne	Maksymalnie 2,5 bara
Temperatura przechowywania i użytkowania	+ 5 °C - + 41 °C
Wilgotność powietrza do przechowywania i użytkowania	30% - 70%
Producent zastrzega sobie prawo do wprowadzania zmian parametrów technicznych. Tolerancja pomiarów ± 15 mm / 1,5 kg / 1,5°	

PL

Obsah

Obsah	1
Úvod	2
1 Tento výrobek	3
1.1 Příslušenství	3
2 Před použitím	4
2.1 Určené použití	4
2.2 Vysvětlivky symbolů	4
2.3 Obecné bezpečnostní pokyny	4
2.4 Přeprava	5
2.5 Složení/rozložení invalidního vozíku	7
2.6 Nasazení/demontáž zadních kol (jsou-li k dispozici)	7
2.7 Skladování	7
3 Použití invalidního vozíku	8
3.1 Montáž a demontáž nožních opěrek	8
3.2 Obsluha brzd	8
3.3 Montáž a demontáž loketních opěrek	9
3.4 Přesun do invalidního vozíku a z něj	10
3.5 Jízda v invalidním vozíku	10
4 Instalace a seřízení	11
4.1 Nástroje	11
4.2 Způsob dodání	11
4.3 Seřízení nožních opěrek	11
4.4 Seřízení brzd	12
4.5 Výměna pneumatiky	12
5 Údržba	14
5.1 Body údržby	14
5.2 Pokyny k údržbě	14
5.3 Řešení problémů	15
5.4 Očekávaná životnost	15
5.5 Znovupoužití výrobku	15
5.6 Konec používání	15
6 Technické údaje	16

Úvod

Blahopřejeme! Nyní jste vlastníkem invalidního vozíku Vermeiren!

Tento invalidní vozík byl vyroben pečlivými pracovníky s kvalifikací. Navíc byl navržen a vyroben podle vysokých standardů kvality, nad nimiž dohlíží společnost Vermeiren.

Řádně si tento návod přečtěte; pomůže vám seznámit se s provozem, schopnostmi a omezeními tohoto invalidního vozíku. Máte-li po přečtení tohoto návodu nějaké dotazy, obraťte se bez obav na svého odborného prodejce. Rád vám pomůže.

CS

Důležitá poznámka

Aby byla zajištěna vaše bezpečnost a prodloužena životnost tohoto výrobku, věnujte mu řádnou péči a nechávejte jej pravidelně kontrolovat a opravovat.

V tomto návodu se odráží nejnovější vývoj výrobku. Společnost Vermeiren má právo provádět změny tohoto typu výrobku, aniž by měla povinnost upravit či nahradit podobné výrobky, které již byly dodány.

Obrázky slouží k objasnění pokynů v tomto návodu. Detaily výrobku na obrázcích se mohou od daného výrobku lišit.

Dostupné informace

Nejnovější verzi informací tohoto návodu vždy naleznete na našich webových stránkách <http://www.vermeiren.com/>. Tyto webové stránky pravidelně navštěvujte pro případné aktualizace.

Osoby se zrakovým postižením si mohou stáhnout elektronickou verzi tohoto návodu, kterou jim může přečíst softwarová aplikace text-to-speech.



Návod k obsluze

Pro uživatele a odborného prodejce



Návod k instalaci

Pro odborného prodejce



Servisní příručka pro invalidní vozíky

Pro odborného prodejce



Prohlášení o shodě (ES)

1 Tento výrobek



- 1 = Kříž
- 2 = Rukojeti
- 3 = Opěradlo
- 4 = Čalounění
- 5 = Loketní opěrky
- 6 = Hnací kola (zadní kola)
- 7 = Ruční ráfky
- 8 = Brzdy
- 9 = Koncové víčko
- 10 = Řídící kola (přední kola)
- 11 = Nožní opěrky
- 12 = Stupátko
- 13 = Sedadlo
- 14 = Umístění identifikačního štítku

CS

1.1 Příslušenství

Pro Jazz S50 je k dispozici následující příslušenství:

- Cestovní kola (B86)
- Loketní opěrky (B05)

Pro ostatní příslušenství se obraťte na svého odborného prodejce. Velmi rád vám poradí.

2 Před použitím

2.1 Určené použití

V tomto odstavci je uveden stručný popis zamýšleného použití tohoto invalidního vozíku. Dále jsou k pokynům v dalších odstavcích přidána příslušná upozornění. Tímto způsobem chceme upozornit na případné chybné použití, k němuž může dojít.

- Indikace a kontraindikace: Uživatel může invalidní vozík pohánět vlastníma rukama, nebo se nechat tlačit asistentem. Invalidní vozík je navržen a vyroben jako transportní pomůcka pro osoby s obtížemi chůze nebo bez schopnosti chůze. Různé typy montáže a příslušenství a modulární konstrukce umožňují plné využití také pro zestárlé osoby a osobami s následujícími postiženími: ochrnutí, ztráta končetin (amputace nohou), vady nebo deformace končetin, ztuhlé či poškozené klouby, srdeční nedostatečnosti a špatný krevní oběh, narušování rovnováhy, kachexie (snížení svalové hmoty).
- Invalidní vozík je určen pro osoby s potížemi při chůzi nebo s nemožností chůze.
- Invalidní vozík je konstruován pro přepravu 1 osoby o max. hmotnosti 130 kg. Není určen pro přepravu zboží či předmětů ani pro jakýkoli jiný účel, než je popsán výše.
- Používejte pouze příslušenství a náhradní díly schválené společností Vermeiren.
- Přečtěte si všechny technické detaily a omezení tohoto invalidního vozíku v kapitole 5.
- Záruka tohoto výrobku je založena na běžném použití a údržbě, jak je to popsáno v tomto návodu. V případě poškození výrobku způsobeného nesprávným použitím či absencí údržby tato záruka zanikne

2.2 Vysvětlivky symbolů



Max. hmotnost uživatele v kg



Domácí/venkovní použití



Max. bezpečný sklon ve ° (stupních).



Typové označení

2.3 Obecné bezpečnostní pokyny

- Tento invalidní vozík nepoužívejte, jste-li pod vlivem alkoholu, léků či jiných látek, které by mohly ovlivnit vaše schopnosti jízdy v něm.
- Mějte na paměti, že určité části invalidního vozíku mohou být velmi teplé nebo studené vlivem okolní teploty, slunečního záření či topných těles. Při dotýkání buďte opatrní. Při chladném počasí používejte ochranný oděv. Při jízdě venku je možné používat speciální rukavice, které zlepšují úchop ručních ráfků.
- Tento invalidní vozík žádným způsobem neupravujte.
- Pro prevenci zranění anebo poškození invalidního vozíku zajistěte, aby nedošlo k zachycení jakýchkoli předmětů anebo částí těla mezi paprsky hnacích kol.

Berte na vědomí, že vaše invalidní vozík může v závislosti na použitém nastavení ovlivňovat některé typy systémů proti krádeži. To může zapříčinit spuštění alarmu v obchodu.

V případě, že došlo k závažnému incidentu s vaším výrobkem, informujte společnost Vermeiren nebo svého specializovaného prodejce a příslušný úřad ve vaší zemi.


2.4 Přeprava

2.4.1 Přenášení invalidního vozíku

Nejlepší způsob pro přenášení invalidního vozíku je využít jeho odbrzděných kol k pohybu.

Není-li to možné (např. když jsou vyjmuta zadní kola kvůli přepravě ve vozidle), pevně uchopte rukojeti a rám přední části vozíku. K uchopení invalidního vozíku nepoužívejte nožní či loketní opěrky ani kola.

2.4.2 Přeprava vozidlem jako zavazadlo

 **VAROVÁNÍ** Riziko zranění

- Zajistěte řádné upevnění invalidního vozíku, aby nemohlo dojít ke zranění cestujících při nehodě či náhlém brzdění.
- NIKDY nepoužívejte ten samý bezpečnostní pás k upevnění invalidního vozíku i cestujícího.

1. Složte invalidní vozík do nejkompaktnější velikosti podle pokynů v odst. 2.5.
2. Uložte invalidní vozík a jeho kola do zavazadlového prostoru nebo za sedadlo spolujezdce. Pokud NENÍ zavazadlový prostor zcela uzavřen či oddělen od cestujících, řádně připoutejte rám invalidního vozíku k vozidlu

2.4.3 Použití invalidního vozíku jako sedadla v motorovém vozidle

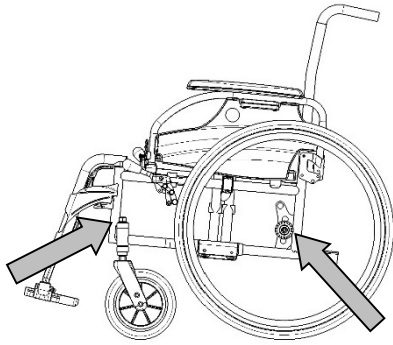
 **VAROVÁNÍ** Riziko zranění anebo poškození

- Invalidní vozík prošel crashtesty podle ISO 7176-19: 2008 a jako takový byl navržen a testován pro použití jako sedadlo v motorových vozidlech umístěné pouze ve směru jízdy.
- Samotný pánevní pás invalidního vozíku není vhodný jako zádržný systém pro cestující.

Invalidní vozík je testován pomocí čtyřbodového upínacího systému a tříbodového zádržného systému. Kdykoliv je to možné, použijte sedadlo vozidla a invalidní vozík uložte do úložného prostoru.

Postup zajištění invalidního vozíku v motorovém vozidle:

1. Ověřte, že je vozidlo vybaveno vhodným upínacím systémem pro invalidní vozík a zádržným systémem pro cestující v souladu s ISO 10542.
2. Ověřte, že jsou komponenty invalidního vozíku připoutány a zádržný systém pro cestující není opotřeben, znečištěn, poškozen ani rozbit.
3. Disponuje-li invalidní vozík funkcí naklonění sedadla anebo opěradla, ověřte, že uživatel invalidního vozíku sedí v max. vzpřímené poloze. Pokud to stav uživatele neumožňuje, mělo by být provedeno posouzení rizik za účelem hodnocení bezpečnosti uživatele během přepravy.
4. Odeberte veškeré příslušenství, jako jsou podnosy a respirační vybavení, a zajistěte je na bezpečném místě.
5. Invalidní vozík umístěte ve směru jízdy a centrálně mezi zádržné kolejnice připevněné k podlaze vozidla.
6. Zapněte přední bezpečnostní popruhy na vyznačeném místě podle pokynů výrobce pásového systému (obr. 1). Toto místo je na invalidním vozíku označeno symbolem (obr. 2).
7. Popojed'te invalidním vozíkem dozadu, dokud se přední popruhy nenapnou.
8. Zaktivujte brzdu invalidního vozíku.
9. Zapněte zadní bezpečnostní popruhy na vyznačeném místě podle pokynů výrobce pásového systému (obr. 1). Toto místo je na invalidním vozíku označeno symbolem (obr. 2).



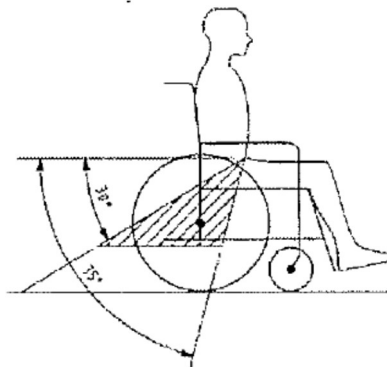
Obr. 1



Obr. 2

Postup zabezpečení uživatele invalidního vozíku:

1. Odeberte obě loketní opěrky.
2. Máte-li k dispozici pánevní pás k invalidnímu vozíku, připevněte jej.
3. Upevněte pásy zádržného systému pro cestujícího podle pokynů výrobce pásového systému.
4. Pánevní vás mějte nasazen nízko přes přední část pánve tak, aby tady byl úhel pánevního pásu v preferované zóně 30° až 75° od horizontální roviny, viz obr. níže.



5. V preferované zóně je žádoucí strmější (vyšší) úhel.
6. Nastavte pás pevně podle pokynů výrobce pásového systému a v souladu s pohodlím uživatele.
7. Ověřte, že je zádržný pás připojen přímo ke kotevnímu bodu vozidla a že na něm nejsou vidět žádné záhyby, např. u osy zadního kola.
8. V případě potřeby nainstalujte loketní opěrky. Ověřte, že pásy nejsou překroucené nebo mimo hmotu částí invalidního vozíku, jako jsou loketní opěrky či kola.

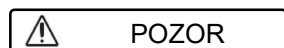
ZÁDRŽNÉ PÁSY BY NEMĚLY BÝT DRŽENY OD TĚLA KOMPONENTAMI INVALIDNÍHO VOZÍKU, JAKO JSOU LOKETNÍ OPĚRKY NEBO KOLA



PÁNEVNÍ PÁSY BY MĚLY BÝT ZCELA V KONTAKTU S PŘEDNÍ ČÁSTÍ TĚLA POBLÍŽ SPOJENÍ STEHNA A PÁNVE



2.5 Složení/rozložení invalidního vozíku



Nebezpečí skřípnutí – Nedávejte prsty mezi součásti tohoto invalidního vozíku.

Složení:

1. Sklopte či odeberte nožní desky (viz odst. 3.1).
2. Uchopte sedadlo za přední i zadní stranu a vytáhněte jej nahoru.
3. Zatlačte na rukojeti, abyste invalidní vozík složili více.

Rozložení:

1. Postavte se za invalidní vozík.
2. Pomocí rukojetí invalidní vozík co nejvíce rozevřete.
3. Postavte se před invalidní vozík.
4. Zatlačte dolů obě sedadlové trubky, dokud se nezaaretují na místě.

CS

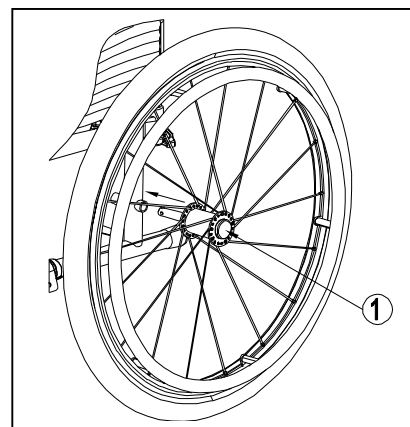
2.6 Nasazení/demontáž zadních kol (jsou-li k dispozici)

Demontáž zadních kol

1. Stiskněte a přidrže tlačítko (1) a zároveň vysuňte osu kola ven z otvoru rámu.
2. Opakujte postup pro druhé kolo a jemně umístěte invalidní vozík na zadní trubky rámu.

Montáž zadních kol

1. Uchopte jedno ze zadních kol a zvedněte invalidní vozík na jedné straně.
2. Stiskněte a přidrže tlačítko (1) a zároveň zasuňte kolo do pouzdra osy.
3. Uvolněním tlačítka kolo uzamkněte. Dbejte na to, aby zaskočilo na místo.
4. Postup zopakujte pro druhé kolo.
5. Ujistěte se, že jsou obě kola bezpečně upevněná.



2.7 Skladování

- i** Dbejte na to, aby byl invalidní vozík uložen v suchém prostředí, aby na něm nemohly růst plísně a nepoškodilo se čalounění, viz též kapitola 6.

3 Použití invalidního vozíku

⚠ UPOZORNĚNÍ

Riziko zranění anebo poškození

- Nejprve si přečtěte předchozí kapitoly a seznamte se se zamýšleným použitím. Invalidní vozík NIKDY nepoužívejte, dokud si nepřečtete a plně neporozumíte všem pokynům.
- V případě pochybností či dotazů bez obav požádejte svého místního odborného prodejce, poskytovatele péče nebo technického poradce, aby vám pomohl.
- Zajistěte, aby během použití nebo nastavení nedošlo k zachycení rukou, oděvů, pásků, přezek či šperků v kolech nebo jiných pohyblivých součástech.

3.1 Montáž a demontáž nožních opěrek

⚠ POZOR

Riziko zranění

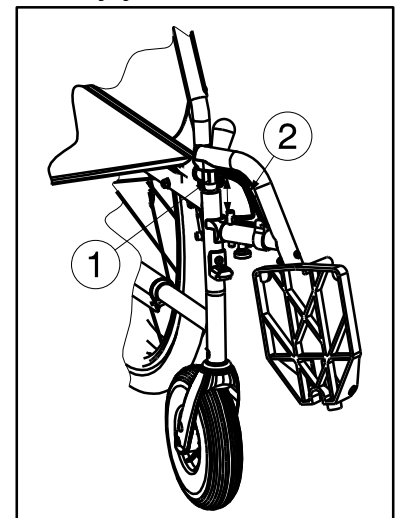
- Před použitím ověřte, že jsou nožní opěrky bezpečně zajištěny.
- Při montáži či demontáži nožních opěrek udržujte předměty mimo dosah jejich otáčení.

Postup montáže nožních opěrek je následující:

1. Podržte nožní opěrku bočně z vnější strany rámu invalidního vozíku a zavěste držák trubky (1) do rámu.
2. Otočte nožní opěrku dovnitř, dokud se nezaaretuje na místě.
3. Sklopte nožní desku dolů.

Postup demontáže nožních opěrek:

1. Vytáhněte páku (2).
2. Vyklopte nožní opěrku na vnější stranu invalidního vozíku, až se uvolní z vodítka.
3. Vytáhněte nožní opěrku z držáku trubky (1).

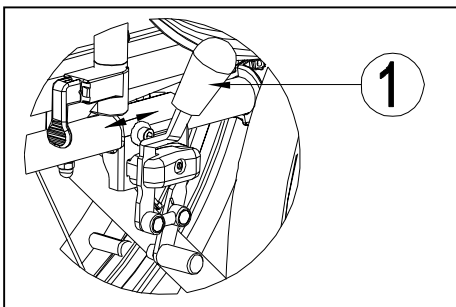


3.2 Obsluha brzd

⚠ VAROVÁNÍ

Riziko zranění

- Brzdy nejsou určeny ke zpomalení invalidního vozíku během jízdy. Slouží pouze k tomu, aby nedošlo k nechtěným pohybům.
- Správnou funkci brzd ovlivňuje opotřebení a znečištění pneumatik (voda, olej, bláto atd.). Před každým použitím zkontrolujte stav pneumatik.
- Brzdy jsou seřiditelné a mohou se opotřebovat. Před každým použitím zkontrolujte stav brzd.
- Před uvolněním brzdy ověřte, že je invalidní vozík na rovném vodorovném povrchu. Nikdy neuvolňujte obě brzdy současně.



Aktivace brzd:

1. Zatlačte brzdové páky (1) dopředu, dokud neucítíte výrazné cvaknutí.

Deaktivace brzd:

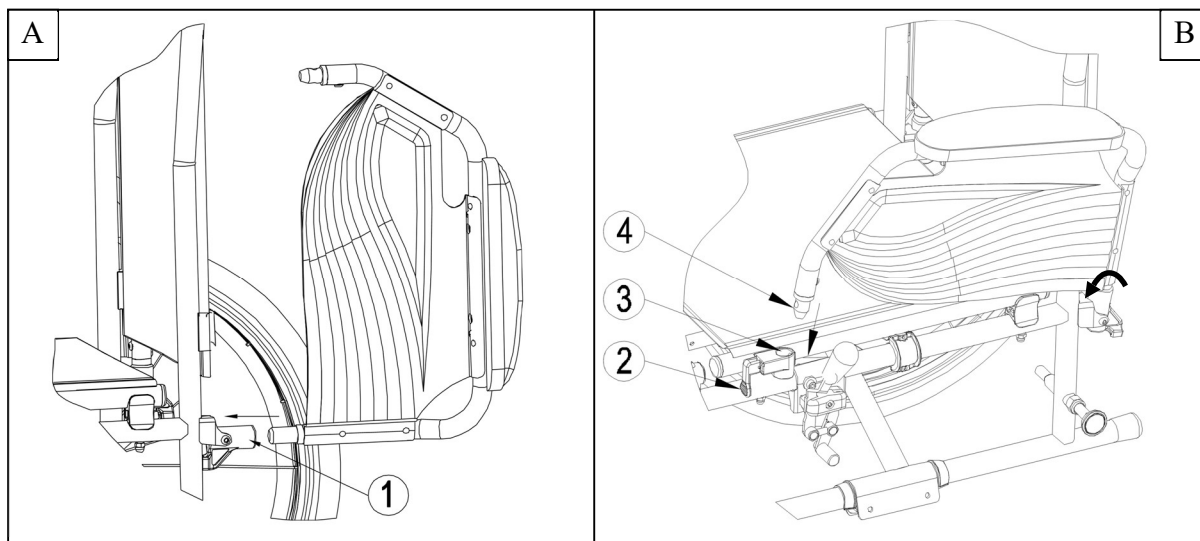
1. Uvolněte jednu brzdu zatažením za páku (1) dozadu.
2. Držte ruční ráfek uvolněného kola jednou rukou.
3. Uvolněte druhou brzdu zatažením za páku dozadu.

3.3 Montáž a demontáž loketních opěrek


VAROVÁNÍ

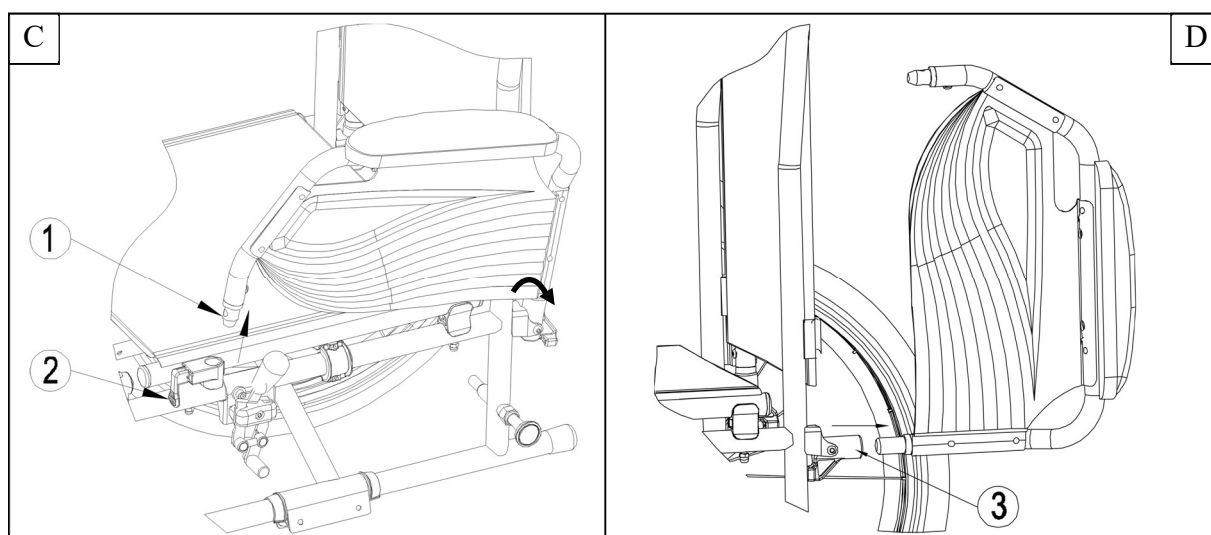
Riziko zranění

- Před použitím ověřte, že jsou loketní opěrky řádně zajištěny.
 - Udržujte prsty a oděvy mimo dolní stranu loketní opěrky.
1. Nasaďte zadní trubku loketní opěrky do držáku trubky (1) (Obr. A).
 2. Zajistěte, že je loketní opěrka řádně upevněna.
 3. Složte loketní opěrku dopředu.
 4. Vytáhněte páku (2) na držáku trubky (3) nahoru (Obr. B).
 5. Nasaďte přední trubku loketní opěrky (4) do držáku trubky (3) (Obr. B).



Otevření a odebrání loketní opěrky:

1. Vytáhněte páku (2) a vytáhněte přední část loketní opěrky (1) nahoru (Obr. C).
2. Složte loketní opěrku dozadu.
3. Pro odebrání loketní opěrky vytáhněte její zadní část z držáku trubky (3) (Obr. D).



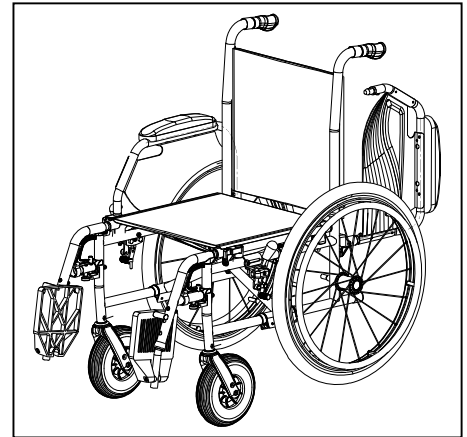
3.4 Přesun do invalidního vozíku a z něj

**VAROVÁNÍ**

Riziko zranění anebo poškození

- Nemůžete-li přesun provést bezpečně, požádejte někoho o asistenci.
- Nestůjte na nožních deskách.

1. Umístěte invalidní vozík co nejbližší k židli, pohovce či posteli, kde se chcete přesunout na vozík nebo z něj.
2. Ověřte, že jsou obě brzdy invalidního vozíku v poloze jejich aktivace.
3. Sklopte nožní desky nahoru, aby se na nich nedalo stát.
4. Provádíte-li přesun po straně invalidního vozíku, odklopte loketní opěrku na dané straně nahoru (viz odst. 3.3).
5. Proveďte přesun na invalidní vozík nebo z něj.



3.4.1 Správná poloha v invalidním vozíku

Doporučení pro komfortní použití invalidního vozíku:

- Zajistěte polohu zad co nejbližší k opěradlu.
- Ověřte, že máte stehna v horizontální poloze. V případě potřeby upravte délku nožních opěrek (viz odst. 4.3).

3.5 Jízda v invalidním vozíku

**UPOZORNĚNÍ**

Riziko zranění a poškození

- Před každým použitím ověřte, že:
 - parkovací brzdy správně fungují;
 - pneumatiky jsou v dobrém stavu, viz odst. 5.
- Nedopustíte, aby se do drátů výpletu kola zachytily vaše prsty.
- Nepoužívejte ruční ráfky, máte-li mokré ruce.
- Při průjezdu úzkými průchody se chraňte před skřípnutím rukou na ručních ráfcích.
- **NEJEZDĚTE** na svazích, přes překážky, schody nebo obrubníky větší, než je předepsáno v odst. 6.
- Když zastavíte na (mírném) svahu, použijte brzdy.
- Během jízdy dolů ze svahu dbejte na to, aby se všechna čtyři kola dotýkala země.
- Na svazích jezděte co nejpomaleji.
- Při jízdě po veřejných komunikacích zůstávejte vždy na chodníku.
- Dávejte pozor, zda na silnici nejsou díry nebo spáry, které by mohly způsobit skřípnutí kol.
- Vyhýbejte se kamenům a jiným předmětům, které mohou zablockovat kola.
- Při přejíždění překážky dávejte pozor, aby se stupátka nedotkla země.
- Tento invalidní vozík nepoužívejte na eskalátoru.
- Je-li k dispozici bezpečnostní pás, připevněte se.
- Abyste nezranili osoby stojící okolo nebo nepoškodili předměty, myslete vždy na rozsah pohybu stupátka.
- Nemáte-li dostatek zkušeností s jízdou na svém invalidním vozíku, požádejte doprovod o asistenci. Nesahejte rukama na kola a nohy nechte spočívat na stupátku.
- Schody musejí být vždy zvládnuty za asistence dvou osob doprovodu.
- Nikdy nezkoušejte používat schody, které nejsou vhodné pro invalidní vozíky.

3.5.1 Jízda na invalidním vozíku:

1. Odbrzďte brzdy.
2. Uchopte oba ruční ráfky v jejich nejvyšším místě.
3. Nakloňte se dopředu a tlačte ruční ráfky dopředu, dokud se vaše paže nenarovnají.
4. Přemístěte ruce zpět na nejvyšší místo ručních ráfků a opakujte pohyb.

4 Instalace a seřízení

Pokyny v této kapitole jsou určeny pro odborné prodejce.

Výrobek Vermeiren Jazz S50 byl navržen jako invalidní vozík s minimálním seřizováním. Dodatečné zásoby náhradních dílů nejsou třeba.

Chcete-li najít servisní středisko či odborného prodejce ve svém okolí, kontaktujte nejbližší pobočku společnosti Vermeiren.

 **VAROVÁNÍ** Riziko zranění a poškození

- Používejte pouze nastavení uvedená v tomto návodu.
- Variace povolených nastavení může změnit stabilitu invalidního vozíku (naklonění dozadu či do stran).

4.1 Nástroje

Pro sestavení invalidního vozíku jsou potřeba tyto nástroje:

- Sada maticových klíčů ve velikostech 7 až 22
- Sada inbusových klíčů ve velikostech 3 až 8
- Křížový šroubovák

4.2 Způsob dodání

Balení výrobku Vermeiren Jazz S50 obsahuje:

- 1 rám s loketními opěrkami, zadní a přední kola (výška sedadla 500 mm)
- 1 pár nožních opěrek
- Nástroje
- Návod
- Příslušenství (volitelné).
- Hustilka

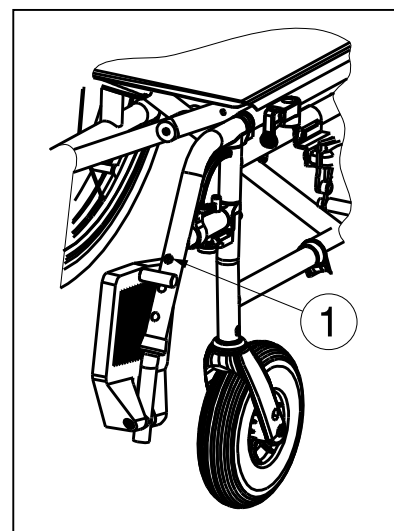
4.3 Seřízení nožních opěrek

4.3.1 Délka nožních opěrek

 **POZOR** Nebezpečí poškození – zajistěte, aby se nožní opěrky nedotýkaly země. Udržujte minimální vzdálenost 60 mm nad zemí.

Postup nastavení úhlu nožních opěrek:

1. Odšroubujte šroub (1).
2. Nastavte požadovanou délku nožní opěrky.
3. Šroub (1) řádně utáhněte.

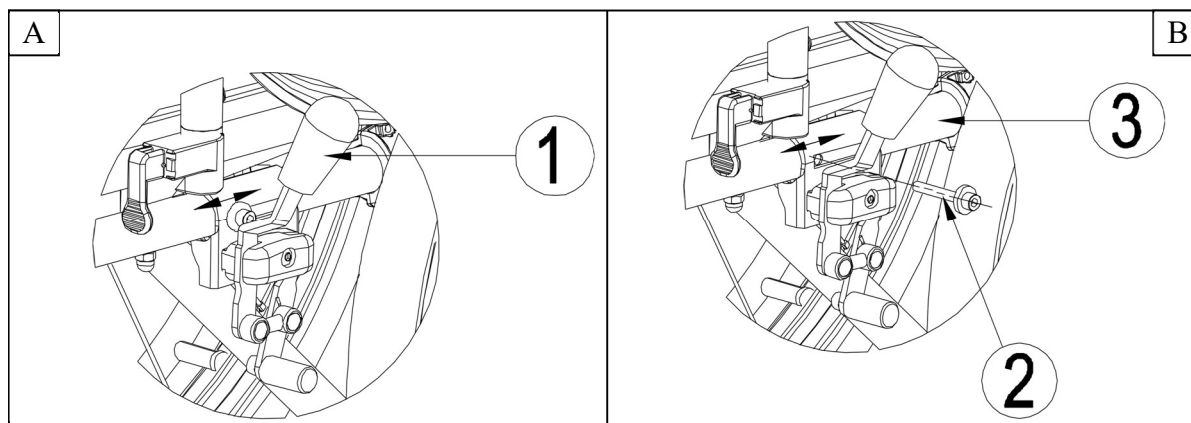


4.4 Seřízení brzd


VAROVÁNÍ

Nebezpečí zranění – seřízení brzd smí provádět pouze odborný prodejce.

1. Nainstalujte kola podle odst. 2.6.
2. Odpojte brzdy zatažením páky (1) dozadu (*Obr. A*).
3. Povolte šroub (2), aby šel brzdový mechanismus posunout na rámu (3) (*Obr. B*).
4. Posuňte brzdový mechanismus na rámu (3) do požadované polohy (*Obr. B*). Seřízení brzd musí být v rozsahu vyznačeném čárkami (4) na brzdovém mechanismu.
5. Znovu utáhněte šroub (2) (*Obr. B*).
6. Zkontrolujte funkci brzd.
7. V případě potřeby zopakujte postup výše, dokud nebudou brzdy správně seřizeny.



4.5 Výměna pneumatiky


POZOR

Riziko zranění anebo poškození

- Při nesprávné manipulaci může dojít k poškození ráfku. Výkon těchto činností raději přenechte odborníkovi.
- Při montáži pneumatiky zajistěte, aby se neskříply mezi ní a ráfek žádné předměty ani části těla.
- Při huštění pneumatik vždy kontrolujte, zda mají správný tlak. Správný tlak je uveden na bočnicích pneumatik.
- Používejte pouze hustící zařízení, které splňuje příslušné předpisy a ukazuje tlak v barech, nebo použijte dodanou hustilku. Neneseme žádnou odpovědnost za poškození způsobené hustícím zařízením, které nebylo dodáno výrobcem.



- Vždy ověřte, že jsou kola dostatečně nahuštěná, jinak by mohla negativně ovlivnit jízdu a řízení.
- Neneseme žádnou odpovědnost za kola, která nebyla dodána výrobcem.
- Správné sestavení může zaručit pouze odborník. Pokud tuto činnost nevykoná odborný prodejce, propadne nárok na záruku.

Chcete-li vyměnit pneumatiky či duše, mějte na paměti tyto věci:

1. Vypustěte veškerý vzduch z duše.
2. Mezi pneumatiku a ráfek vložte vhodnou páku.
3. Pomalu a jemně zatlačte touto pákou dolů. Tím dojde k přetažení pneumatiky přes okraj ráfku.
4. Pak posunem páky podél ráfku přetáhněte celou pneumatiku.
5. Nyní opatrně sejměte pneumatiku z ráfku a potom vyjměte duši.

Před nasazením pneumatiky ověřte, zda lůžko ráfku a vnitřní stěna pneumatiky neobsahují nečistoty – ty případně řádně vyčistěte. Zkontrolujte stav lůžka ráfku, zejména kolem ventilku.

Používejte pouze pravé originální náhradní díly. Neneseme žádnou odpovědnost za poškození způsobené neoriginálními díly. Obráťte se na svého odborného prodejce.



Před nasazením ráfkové pásky na ráfek zarovnejte otvory pro ventilek. Pak lze pásku snadno přetáhnout na ráfek. Ověřte, že jsou zakryty všechny matičky drátů (není potřeba v případě plastového ráfku).



Počínaje otvorem pro ventilek přetáhněte pneumatiku přes okraj ráfku. Duši trochu nafoukněte, aby měla tvar, a vložte ji do pneumatiky.

CS

Vejde-li se duše řádně do pneumatiky, aniž by došlo k záhybům (v případě záhybů upustěte trochu vzduchu), lze počínaje u ventilků lehce přetáhnout horní stranu pneumatiky oběma rukama na ráfek.

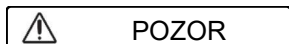
Po celém obvodu na obou stranách ověřte, že není duše skřípnuta mezi ráfkem a okrajem pneumatiky. Lehce zatlačte ventilek směrem dovnitř a znovu jej vytáhněte pro ověření, že je pneumatika v oblasti ventilků správně umístěna.

Pro zajištění správného nahuštění kola zpočátku nahuštěte tolik vzduchu, aby bylo možné pneumatiku ještě lehce stisknout palcem směrem dovnitř. Jsou-li kontrolní linky po obou stranách pneumatiky ve stejné vzdálenosti od ráfku, je pneumatika správně vycentrována. Jinak vypusťte vzduch a umístěte pneumatiku znovu.

Nyní lze pneumatiku nahuštit na plný provozní tlak (viz max. hodnota!!) a nasadit čepičku na ventilek.

5 Údržba

5.1 Body údržby



POZOR

Riziko zranění a poškození

Opravy a výměny směřují provádět pouze vyškolené osoby. Přitom je třeba používat pouze originální náhradní díly společnosti Vermeiren.

CS

- i** Servisní intervaly závisí na intenzitě a frekvenci používání. Požádejte svého prodejce o společnou dohodu na rozvrhu kontrol/údržby/oprav.

Před každým použitím

Zkontrolujte následující body:

- Všechny části: Přítomné a nepoškozené či neopotřebené.
- Všechny části: Čisté, viz odst. 5.2.2.
- Kola, opěradlo, sedadlo, lýtkové opěrky, loketní opěrky, nožní deska: Dobré zajištění.
- Stav kol/pneumatik, viz odst. 5.2.1;
- Stav součástí rámu: Žádná deformace, nestabilita, zeslabení nebo uvolněné spoje
- Sedadlo, opěradlo, loketní čalounění, lýtkové čalounění a opěrka hlavy (v případě použití): Bez nadměrného opotřebení (např. promáčknutá místa, poškození nebo roztržení).
- Brzdy: Nepoškozené a plně funkční

Pro případné opravy či výměny částí se obraťte na svého odborného prodejce.

Ročně nebo častěji

Tento invalidní vozík nechte u odborného prodejce ke kontrole a provedení servisu alespoň jednou ročně nebo častěji. Minimální četnost údržby závisí na používání, a proto by měla být společně dohodnuta s vaším odborným prodejcem.

5.2 Pokyny k údržbě

5.2.1 Kola a pneumatiky

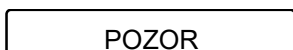
- i** Správná funkce brzd závisí na stavu pneumatik, který se může měnit kvůli opotřebením či znečištění (voda, olej, bláto atd.).

Udržujte kola bez drátů, vlasů, písku a vláken.

Zkontrolujte vzorek na pneumatikách. Je-li hloubka dezénu menší než 1 mm, musí být pneumatiky vyměněny. Obraťte se v této věci na svého odborného prodejce.

Nahustěte pneumatiky na správný tlak (viz indikace tlaku na pneumatikách).

5.2.2 Čištění



POZOR

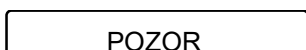
Riziko poškození vlhkostí

- K čištění invalidního vozíku nikdy nepoužívejte hadici ani vysokotlaký čistič.

Otřete všechny pevné části invalidního vozíku vlhkým (nikoli mokrým) hadříkem. V případě potřeby použijte jemné mýdlo vhodné na laky a syntetické barvy.

Čalounění lze vyčistit vlažnou vodou a jemným mýdlem. K čištění nepoužívejte abrazivní čisticí prostředky.

5.2.3 Dezinfekce



POZOR

Riziko poškození

- Dezinfekci mohou provádět pouze kvalifikované osoby. Poradte se se svým prodejcem.

5.3 Řešení problémů

I když tento invalidní vozík používáte správně, může se vyskytnout technický problém. V tomto případě se obraťte na místního odborného prodejce.

 **VAROVÁNÍ** Riziko zranění a poškození invalidního vozíku

- NIKDY nezkoušejte opravit invalidní vozík sami.

Následující příznaky mohou znamenat vážný problém. Proto se vždy obraťte na svého odborného prodejce, když zaznamenáte některou z následujících odchylek:

- divný zvuk;
- nerovnoměrné opotřebení dezénu na jedné z pneumatik;
- trhavé pohyby;
- invalidní vozík se naklání na jednu stranu;
- poškozené či rozbité sestavy kol.

CS

5.4 Očekávaná životnost

Průměrná životnost tohoto invalidního vozíku je 5 let. V závislosti na četnosti použití, jízdních podmínkách a údržbě se životnost tohoto invalidního vozíku prodlouží nebo zkrátí.

5.5 Znovupoužití výrobku

Před každým dalším použitím nechte invalidní vozík dezinfikovat, zkontrolovat a provést servis podle pokynů v odst. 5.1 a odst. 5.2.

5.6 Konec používání

Po skončení životnosti musí být invalidní vozík zlikvidován podle místní legislativy pro životní prostředí. Nejlepším způsobem likvidace je rozebrání invalidního vozíku pro usnadnění přepravy recyklovatelných součástí.

6 Technické údaje

Technické údaje uvedené níže platí pouze pro tento invalidní vozík při standardních nastaveních a optimálních podmínkách okolí. Během používání berte tyto údaje v úvahu. Pokud byl tento invalidní vozík upraven, poškozen nebo došlo k jeho velkému opotřebením, nebudou tyto hodnoty platné.

Tabulka 1: Technické údaje

Značka	Vermeiren
Typ	Ruční invalidní vozík
Model	Jazz S50

Popis	Technické údaje
Max. hmotnost uživatele	130 kg
Celková délka s nožní opěrkou	1120 mm
Efektivní šířka sedadla	390 mm 420 mm 440 mm 460 mm 480 mm 500 mm
Celková šířka (závisí na šířce sedadla)	565 mm 595 mm 615 mm 635 mm 655 mm 675 mm
Složená délka bez nožní opěrky	825 mm
Složená šířka	290 mm
Složená výška	935 mm
Celková hmotnost	16,60 kg
Hmotnost nejtěžší části	8,05 kg
Hmotnosti částí, které lze demontovat či odebrat	Nožní opěrky: 1,80 kg; Loketní opěrky: 1,80 kg; Zadní kola: 4,95 kg
Statická stabilita, svah dolů	15°
Statická stabilita, svah nahoru	10°
Statická stabilita, do stran	15°
Efektivní hloubka sedadla	450 mm
Výška plochy sedadla u předního okraje	500 mm
Úhel sedadla	5°
Výška opěradla	420 mm
Úhel opěradla	0°
Vzdálenost mezi nožní opěrkou a sedadlem	370 - 440 mm
Úhel mezi sedadlem a nožní opěrkou	7°
Vzdálenost mezi loketní opěrkou a sedadlem	220 mm
Přední poloha konstrukce loketní opěrky	310 mm



Průměr ručního ráfku	535 mm
Horizontální poloha osy (vychýlení)	10 mm
Min. průměr otáčení	1190 mm
Průměr zadních kol	24" (volitelně 12")
Tlak pneumatik, zadní (hnací) kola	Max. 3,5 baru
Průměr řídicích kol	200 mm
Tlak pneumatik, přední (řídicí) kola	Max. 2,5 baru
Teplota skladování a používání	+5 °C - +41 °C
Vlhkost skladování a používání	30 % - 70 %
Vyhrazujeme si právo na zavádění technických změn. Tolerance měření ±15 mm / 1,5 kg / 1,5°	



**Service registration form**

This product (name):

was inspected (I), serviced (S), repaired (R) or disinfected (D):

By (stamp): Kind of work: I / S / R / D Date:	By (stamp): Kind of work: I / S / R / D Date:	By (stamp): Kind of work: I / S / R / D Date:
By (stamp): Kind of work: I / S / R / D Date:	By (stamp): Kind of work: I / S / R / D Date:	By (stamp): Kind of work: I / S / R / D Date:
By (stamp): Kind of work: I / S / R / D Date:	By (stamp): Kind of work: I / S / R / D Date:	By (stamp): Kind of work: I / S / R / D Date:
By (stamp): Kind of work: I / S / R / D Date:	By (stamp): Kind of work: I / S / R / D Date:	By (stamp): Kind of work: I / S / R / D Date:
By (stamp): Kind of work: I / S / R / D Date:	By (stamp): Kind of work: I / S / R / D Date:	By (stamp): Kind of work: I / S / R / D Date:



Vermeiren GROUP
Vermeirenplein 1 / 15
2920 Kalmthout
BE

website: www.vermeiren.com